

KODAK INDUSTREX B 2000 Processor



HEALTH SCIENCES



PLEASE NOTE

The information contained herein is based on the experience and knowledge relating to the subject matter gained by Eastman Kodak Company prior to publication.

No patent license is granted by this information.

Eastman Kodak Company reserves the right to change this information without notice, and makes no warranty, express or implied, with respect to this information. Kodak shall not be liable for any loss or damage, including consequential or special damages, resulting from the use of this information, even if loss or damage is caused by Kodak's negligence or other fault.

CAUTION



This equipment includes parts and assemblies sensitive to damage from electrostatic discharge. Use caution to prevent damage during all service procedures.

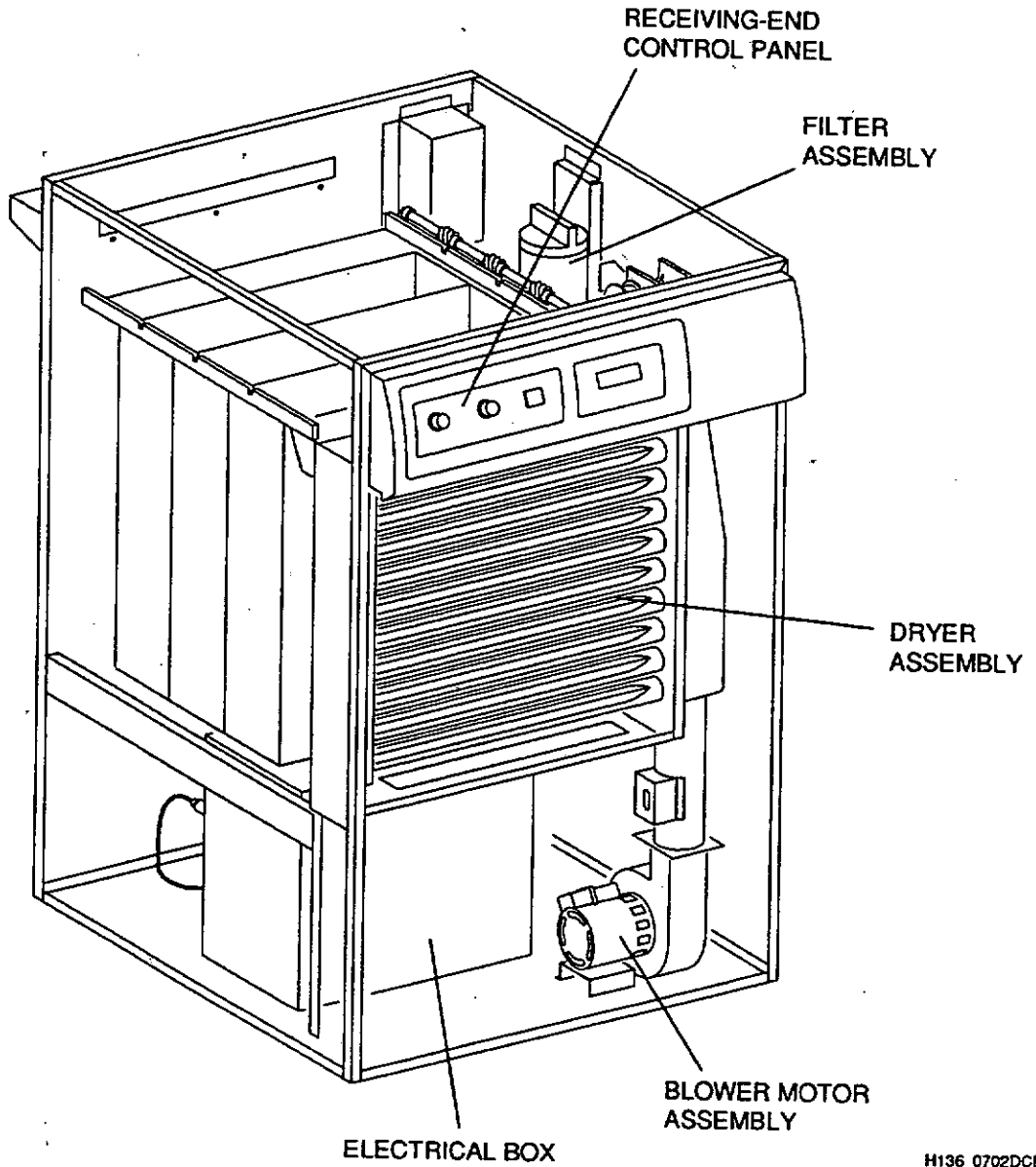
Table of Contents

Description	Page
Locators	1-1
Covers and Panels	2-1
Top Cover and Panels	2-3
Feed-End Panel	2-4
Feed Tray	2-5
Splash Guards	2-6
Roller Transport System	3-1
Rack Positions	3-3
Basic Roller Assembly	3-4
Entrance Detector Assembly	3-7
Developer Rack Assembly	3-9
Developer Rewet Assembly	3-11
Fixer Rack Assembly	3-13
Wash Rack Assembly	3-15
Developer/Fixer Turnaround Assemblies	3-19
Wash Turnaround Assembly	3-21
Crossover Assemblies	3-23
Squeegee Assembly	3-25
Main Drive Assembly	4-1
Drive Shaft Assembly	4-3
Main Drive Assembly	4-5
Dryer Drive Pulley Assembly	4-7
Lower Drive Belt Assembly	4-9
Dryer Assembly	5-1
Dryer Rollers and Air Tubes	5-3
Blower Motor and Dryer Heater Assemblies	5-5
Plumbing	6-1
Developer Circulation Plumbing Diagram	6-3
Fixer Circulation Plumbing Diagram	6-5
Wash Circulation Plumbing Diagram	6-7
Developer Thermowell Assembly	6-9
Recirculation Pump Assembly	6-11

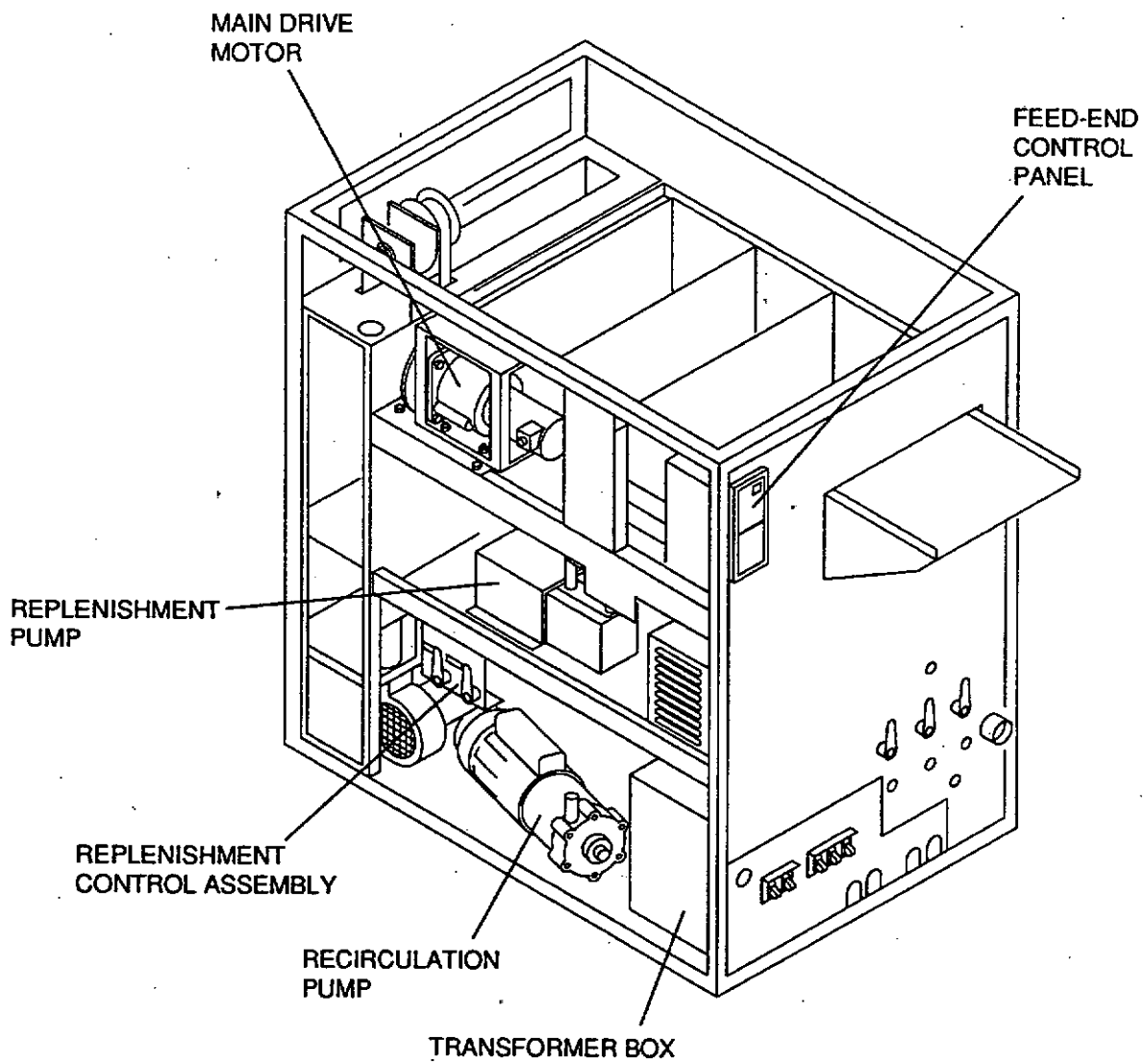
Description	Page
Replenishment Pump Assembly.....	6-13
Drain Valve Assemblies.....	6-14
Filter Canister Assembly.....	6-15
Replenishment Control Assembly.....	6-16
Electrical	7-1
Detector Switches.....	7-2
Transformer Box.....	7-3
Electrical Box.....	7-5
100 Circuit Board Assembly.....	7-6
200 Circuit Board Assembly.....	7-7
300 Circuit Board Assembly.....	7-8
400 Circuit Board Assembly.....	7-9
Drive Motor Speed Control Assembly.....	7-10
Feed-End Control Panel.....	7-11
Miscellaneous	8-1
Leveling Screw/Seismic Brackets.....	8-2
Accessories.....	8-3
Numerical Index	9-1
Alphabetical Index	10-1

BLANK PAGE

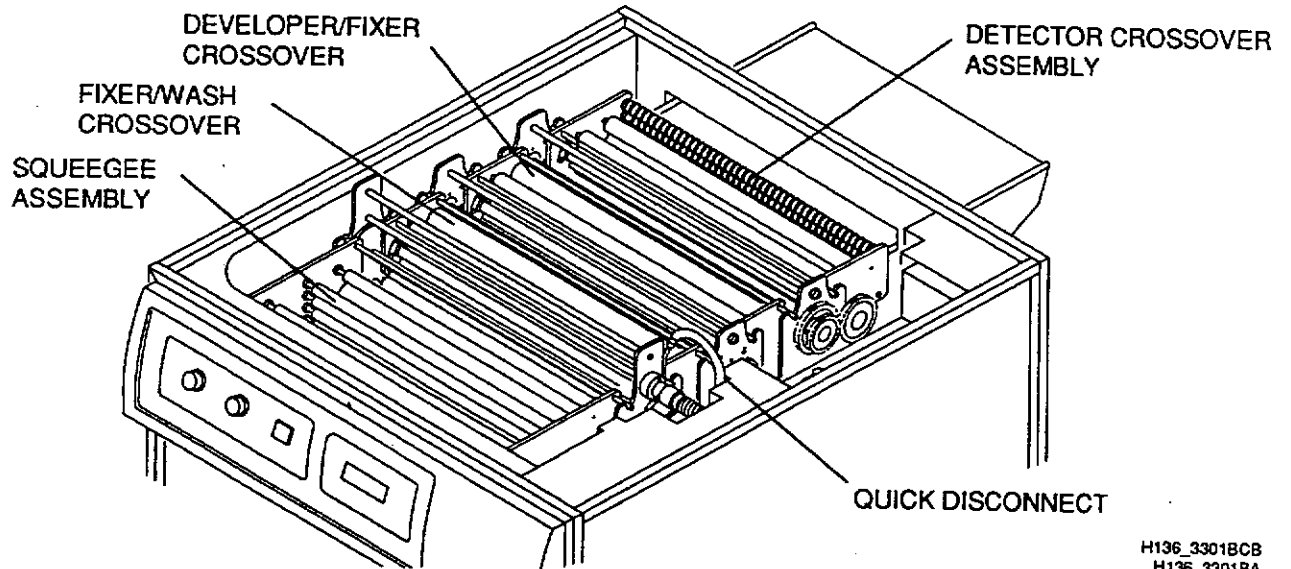
SECTION 1
Locators



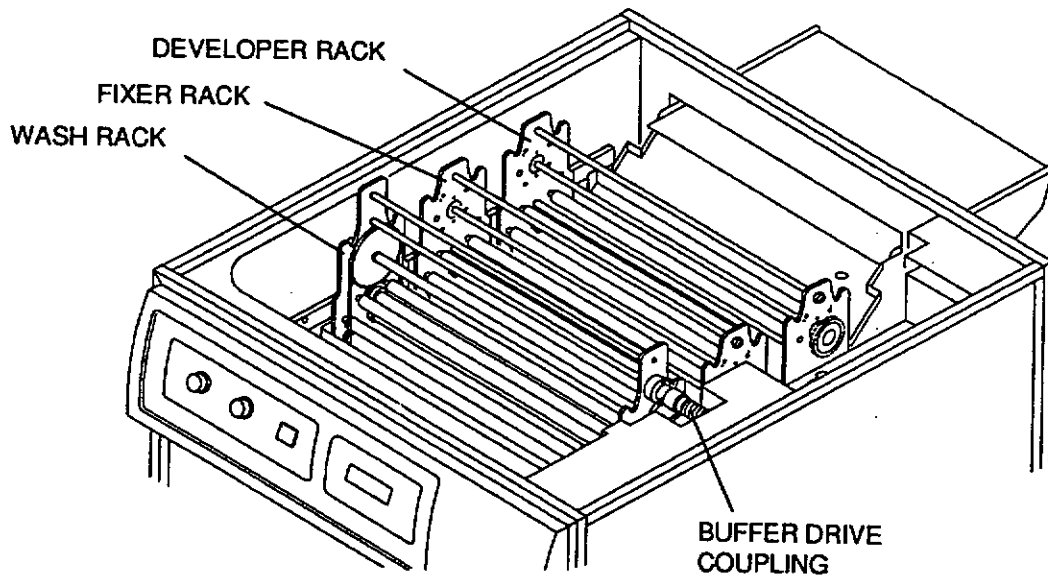
H136_0702DCB
H136_0702DA



H136_0804DCB
H136_0804DA



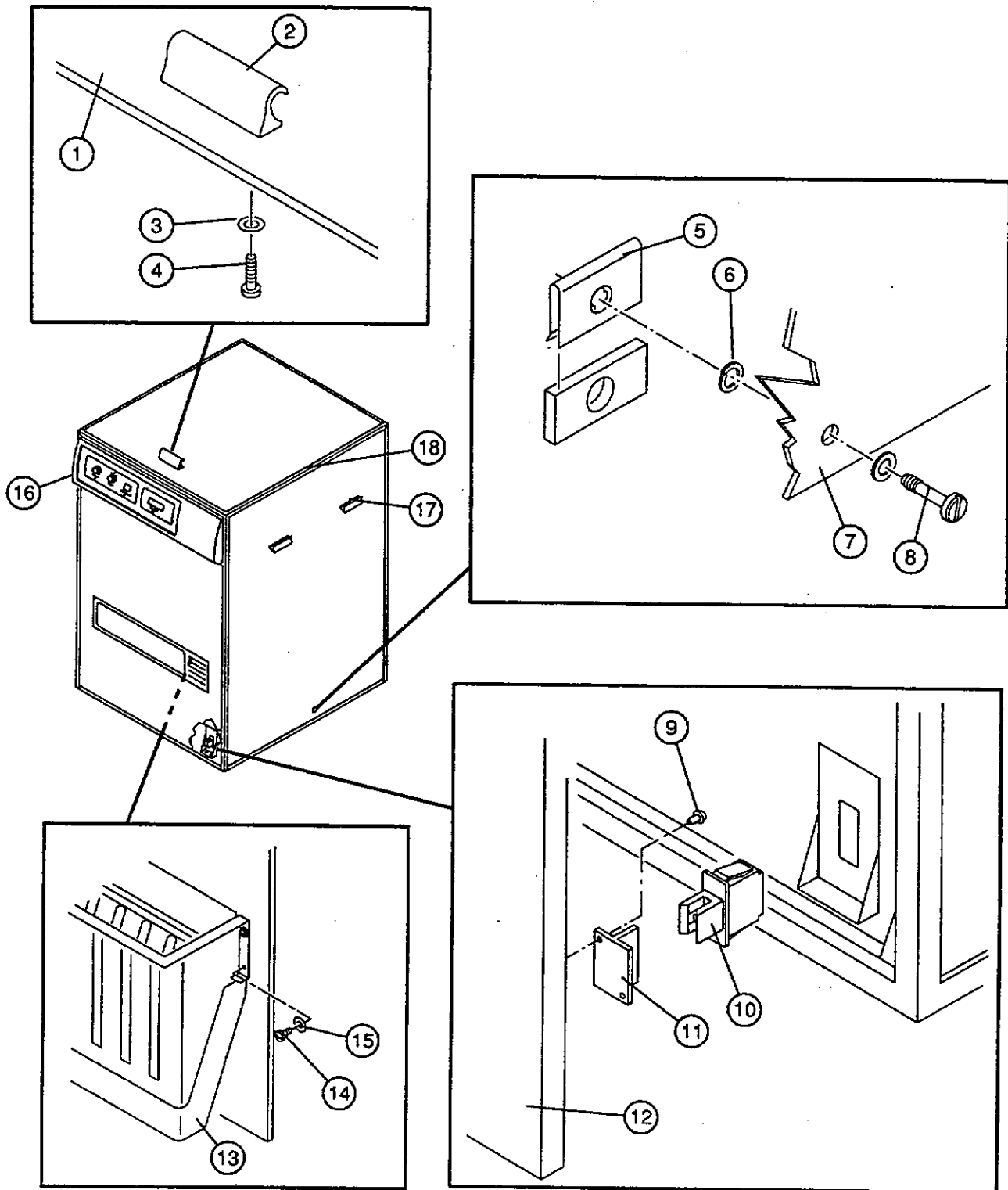
H136_33018CB
H136_33018A



H136_33008CB
H136_33008A

BLANK PAGE

SECTION 2
Covers and Panels

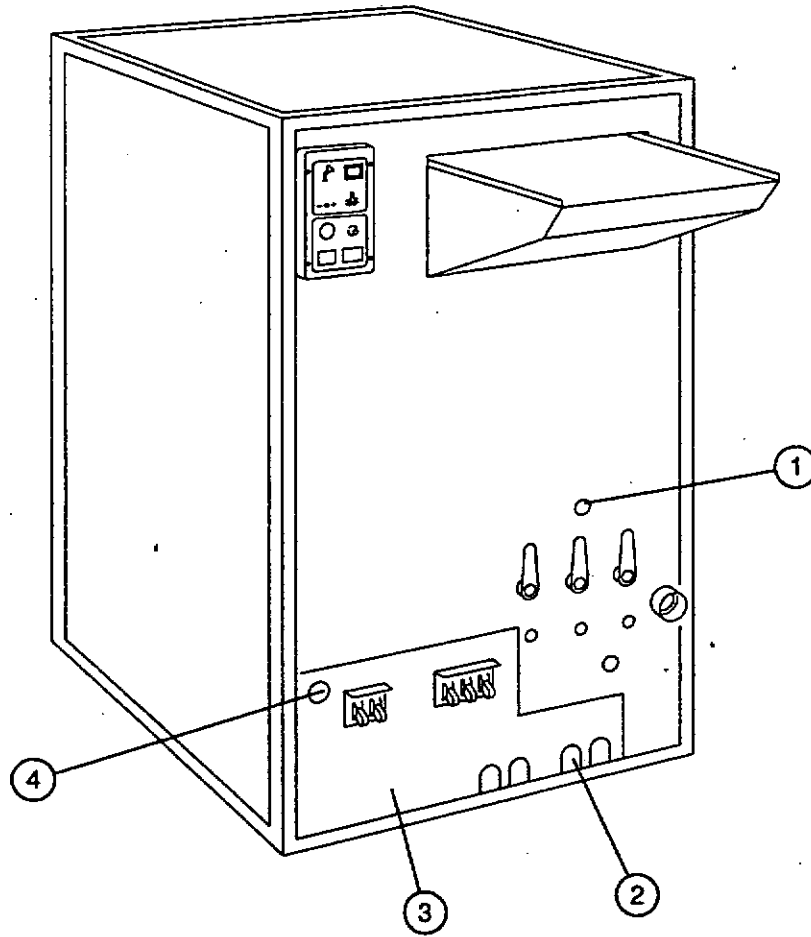


H136_0600ECA
H136_0600EA

Figure 2-1 Top Cover and Panels
Order by Part Number

Item	Part No.	Description	Qty.	Notes
1	699875	Cover - Top.....	1	
2	470153	Handle - Cover.....	1	
3	852873	Washer.....	2	
4	852808	Screw, 8-32 x 1/2 in.....	2	
5	202888	Receptacle	2	
6	499753	Retainer.....	2	
7	699876	Panel - Access, side.....	2	
8	261619	Screw, includes washer.....	2	
9	535561	Screw, 4-40 x 3/8 in.....	2	
	852831	Washer.....	2	Not Shown
10	315594	Switch - Interlock	1	Switch S8
11	990250	Plunger - Interlock.....	1	
12	699877	Panel - Access, receiving end.....	1	
13	240235	Bin	1	
14	852802	Screw, 10-32, sst 316.....	4	
15	852873	Washer.....	4	
16	699886	Bezel, receiving-end control panel	1	
17	470119	Handle	4	
18	315594	Switch - Interlock	1	Switch S7
	990154	Bracket, top cover interlock	1	
	852522	Screw, 8-32 x 3/8 in.....	2	
	852611	Washer.....	2	
	853100	Washer - Lock.....	2	

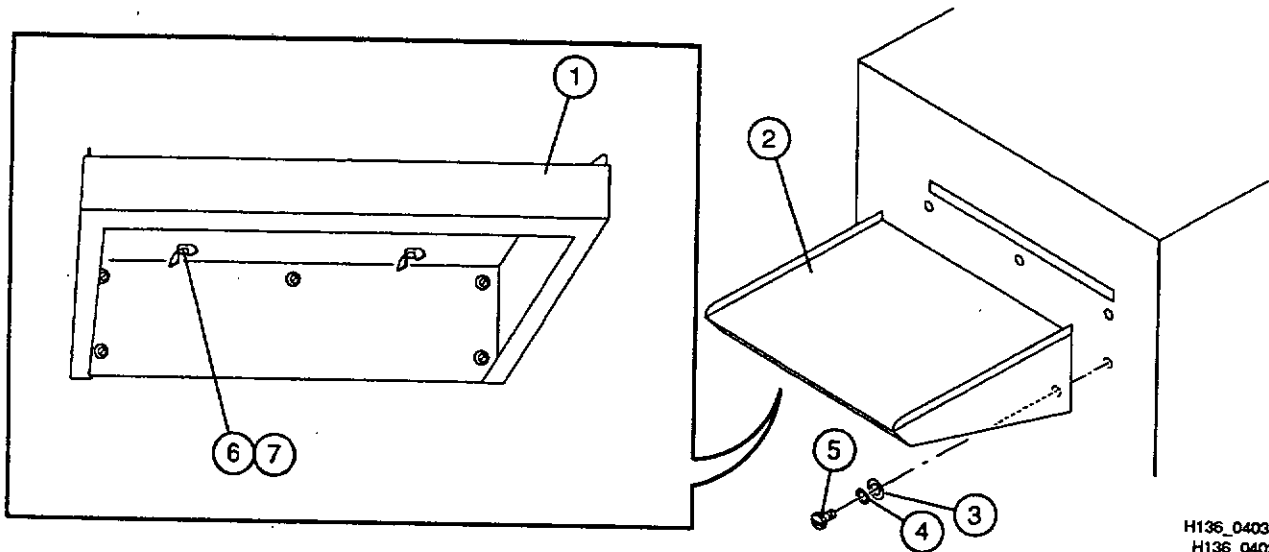
Figure 2-1 Top Cover and Panels
Order by Part Number



H136_0803DCB
H136_0803DA

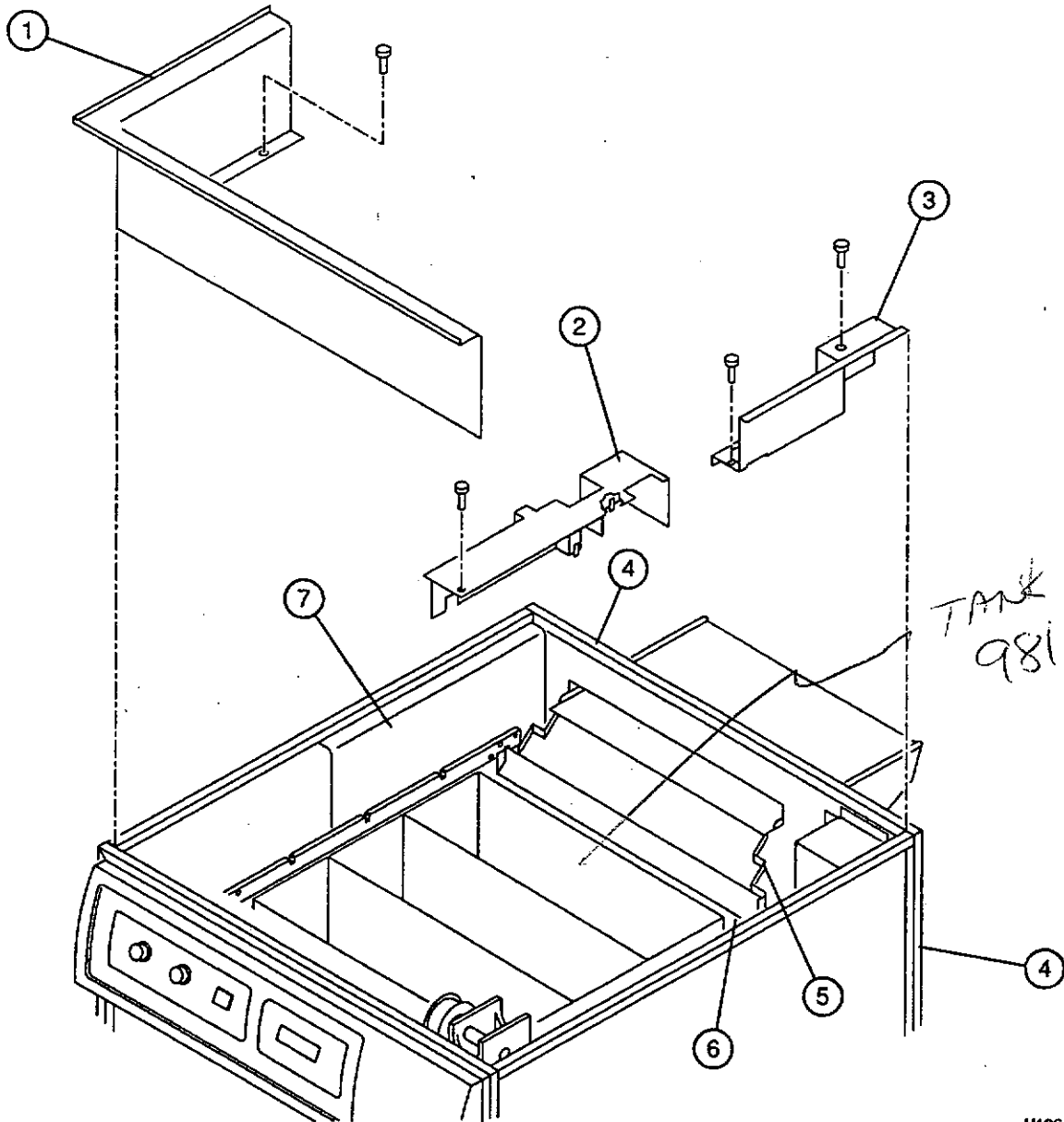
Item	Part No.	Description	Qty.	Notes
1	852391	Plug	1	
2	699884	Cap - Access	1	
	852776	Screw, 10-32 x 3/8 in.....	1	
3	699883	Panel - Access, lower.....	1	
	852774	Screw, 6-32 x 1/4 in.....	8	
	187213	Washer - Lock.....	8	
	852831	Washer.....	8	
	981456	Gasket, order by the foot.....	3	91.5 cm (3 ft)
4	699885	Cover - Access	1	

Figure 2-2 Feed-End Panel
Order by Part Number



H136_0403BCA
H136_0403BA

Item	Part No.	Description	Qty.
1	455929	Shelf - Feed, complete	1
2	454027	Film Guide Assembly	1
3	852873	Washer	5
4	853100	Washer - Lock	5
5	852682	Screw, 8-32 x 3/8 in., sst 316	5
6	144097	Nut - Wing	3
7	852630	Washer	3

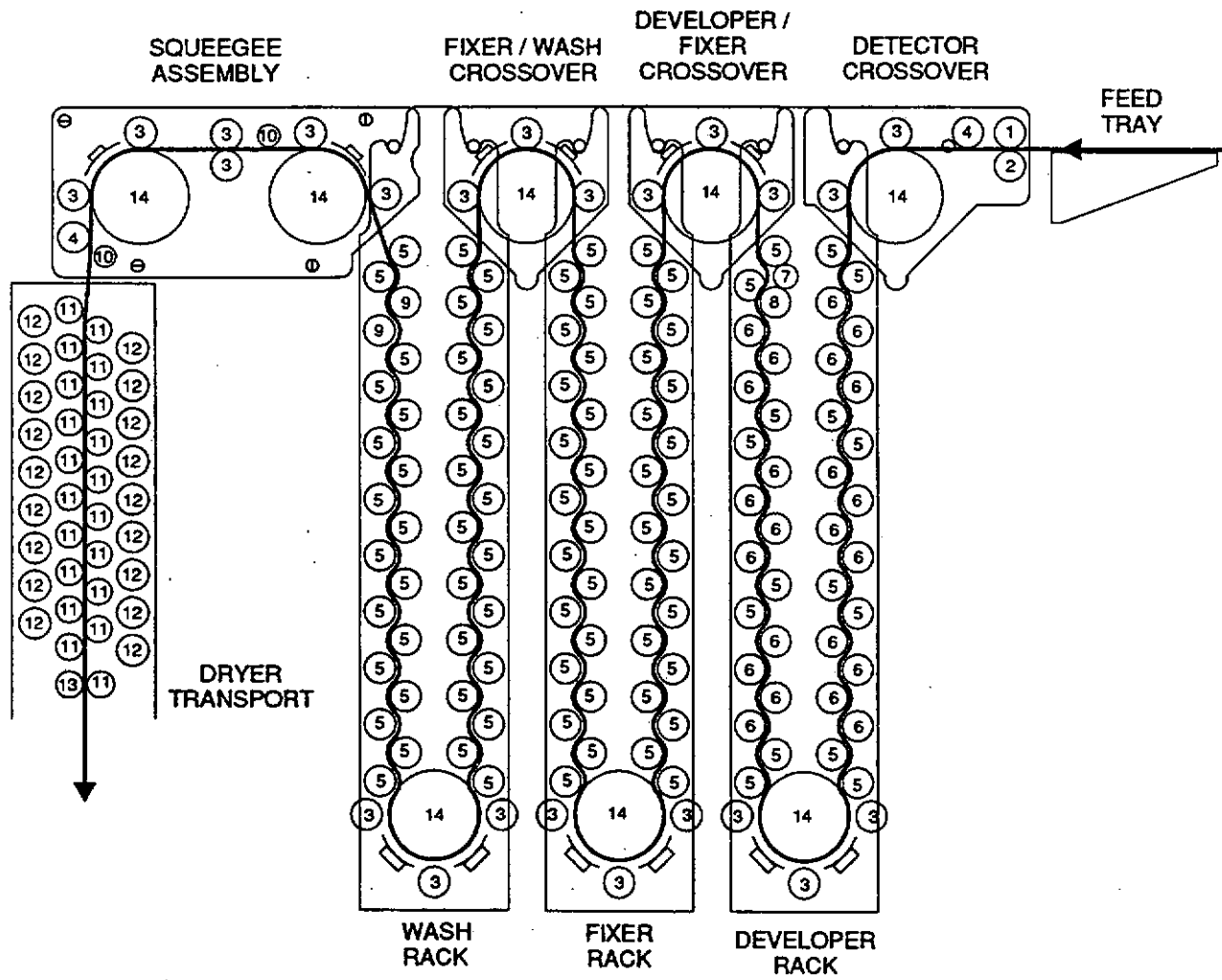


H136_2719DCA
H136_2719DA

Item	Part No.	Description	Qty.	Notes
1	990153	Guard - Splash, dryer end.....	1	
	852776	Screw, 10-32 x 3/8 in.....	1	
2	990164	Guard - Splash, dryer drive/motor assembly.....	1	
	852862	Screw, 8-32 x 1/2 in.....	2	
3	990159	Guard - Splash, filter/control box.....	1	
	852862	Screw, 8-32 x 1/2 in.....	2	
4	457253	Gasket, order by the foot.....		
5	981874	Guard - Splash, detector rollers.....	1	
6	981872	Guard - Splash, drive shaft.....	1	Not Shown
7	981869	Guard - Splash, idle side.....	1	
	963991	Cover - Evaporation, fix-wash.....	1	Not Shown
	462593	Cover - Evaporation, developer.....	1	Not Shown

Figure 2-4 Splash Guards
Order by Part Number

SECTION 3
Roller Transport System

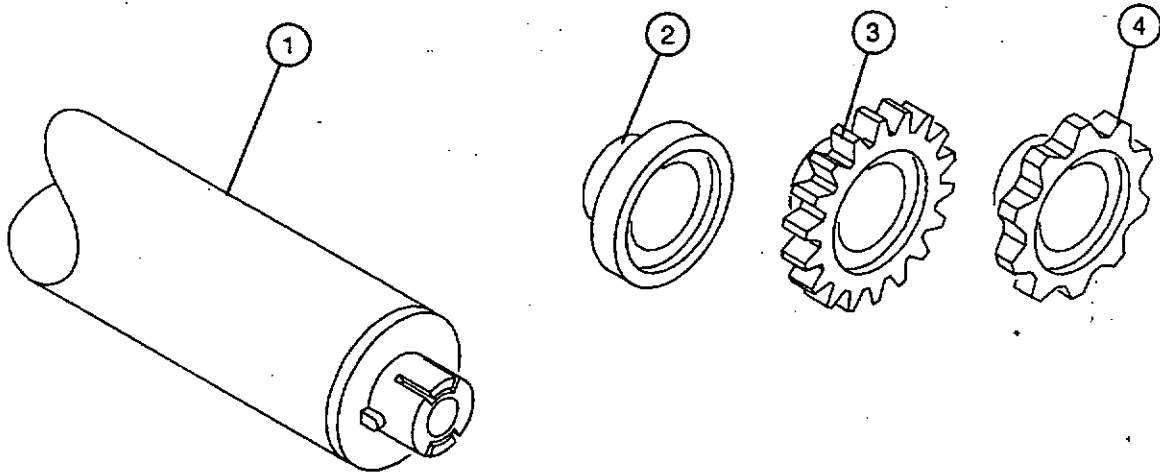


H136_3324DA

Figure 3-1 Rack Positions
Order by Part Number

Item	Part No.	Description	Qty.
1	968081	Detector Roller Assembly, upper.....	1
2	968080	Detector Roller Assembly, lower.....	1
3	452901	Roller - Cluster.....	26
4	452931	Roller - Cluster, idler.....	2
5	489695	Roller - Plain.....	94
6	470812	Roller - Sleeved <i>ASSEMBLY</i>	23
7	470087	Roller - Rewet.....	1
8	489700	Roller - Drive.....	1
9	462936	Buffer Roller Assembly.....	2
10	562330	Roller - Idler.....	2
11	286949	Dryer Roller Assembly.....	20
12	779232	Tube - Air.....	18
13	286948	Drive Roller Assembly.....	1
14	454433	Roller - Master.....	8

Figure 3-1 Rack Positions
Order by Part Number

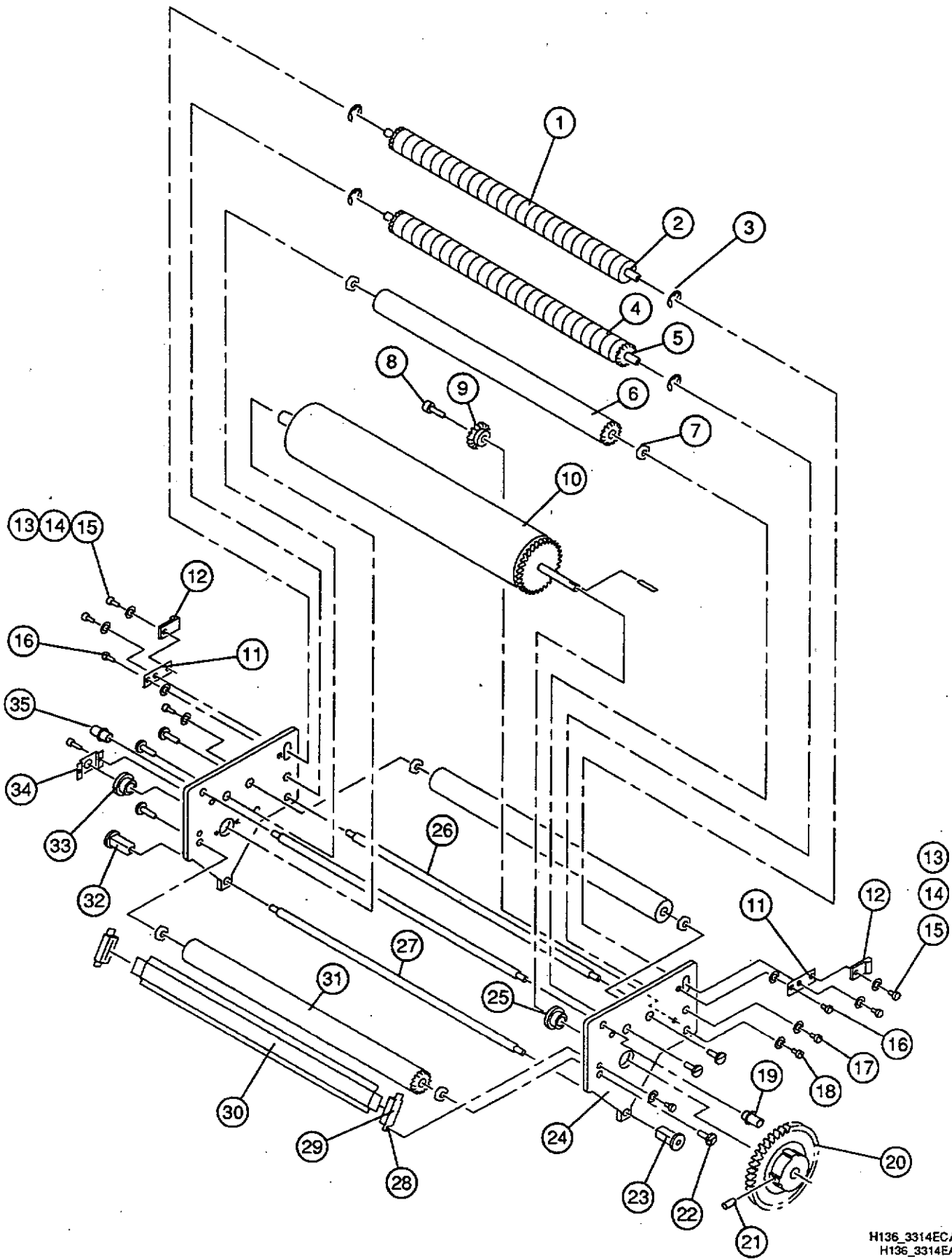


P108_0131BCA
P108_0131BA

Item	Part No.	Description	Qty.	Notes
1	489693	Roller	-	As necessary
2	539198	Idler	-	As necessary
3	467564	Gear	-	As necessary
4	607833	Sprocket	-	As necessary

Figure 3-2 Basic Roller Assembly
Order by Part Number

BLANK PAGE

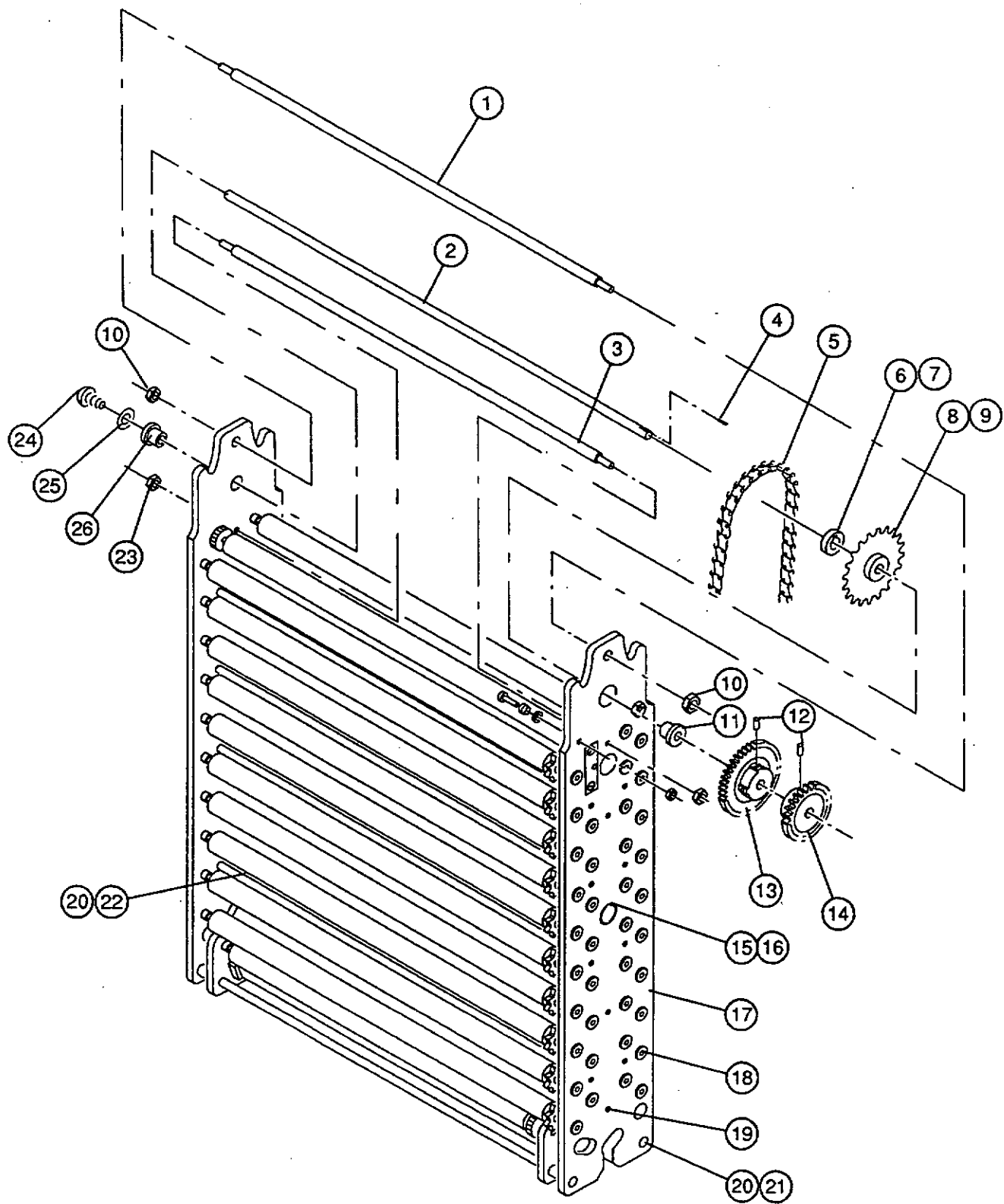


H136_3314ECA
H136_3314EA

Figure 3-3 Entrance Detector Assembly - 699878
Order by Part Number

Item	Part No.	Description	Qty.
1	968081	Detector Roller Assembly, upper.....	1
2	990156	Shaft.....	1
3	651107	Ring.....	1
4	968080	Detector Roller Assembly, lower.....	4
5	990157	Shaft.....	1
6	452931	Roller - Cluster, idler.....	1
7	452101	Nut, nylon, 5/16-24.....	1
8	963999	Bolt - Shoulder.....	6
9	458869	Gear - Idler.....	1
10	454433	Roller - Master.....	1
11	990257	Arm - Pivot.....	1
12	650876	Magnet.....	2
13	575821	Screw, 4-40, sst 316.....	2
14	575822	Washer.....	2
15	187283	Washer - Lock.....	2
16	493422	Screw - Shoulder, 8-32.....	2
	175121	Washer.....	2
17	852682	Screw, 8-32 x 3/8 in., sst 316.....	2
	852611	Washer.....	6
	853100	Washer - Lock.....	6
18	852683	Screw, 10-32 x 3/8 in., sst 316.....	6
	852799	Washer.....	2
	535004	Washer - Lock.....	2
19	472756	Nut - Long.....	2
20	452023	Gear.....	1
	452028	Key.....	1
21	852554	Setscrew, 10-32 x 1/4 in., sst 316.....	1
22	452100	Stud.....	1
23	452017	Spacer - Nut, long.....	6
24	968076	Plate - Side.....	1
25	452215	Bearing.....	2
26	452001	Rod.....	1
27	454423	Rod - Tie.....	2
28	852857	Setscrew, 8-32 x 1/4 in., sst 316.....	1
29	463160	Support.....	2
30	454687	Shoe - Guide.....	2
31	452901	Roller - Cluster.....	1
32	452003	Spacer - Nut, short.....	2
33	452212	Bearing.....	1
34	455760	Retainer.....	1
35	472755	Nut - Short.....	1
	699878	Entrance Detector Assembly.....	1

Figure 3-3 Entrance Detector Assembly - 699878
Order by Part Number



H136_3305ECA
H136_3305EA

Figure 3-4 Developer Rack Assembly - 571405
Order by Part Number

Item	Part No.	Description	Qty.	Notes
1	452105	Rod - Spacer.....	1	
2	455775	Shaft.....	1	
3	452090	Bar.....	1	
4	452109	Key.....	1	
5	452111	Chain.....	1	
6	457109	Collar.....	1	
7	852554	Setscrew, 10-32 x 1/4 in., sst 316.....	1	Not Shown
8	466671	Sprocket.....	1	
9	452044	Key.....	1	Not Shown
10	852798	Nut, 5/16-24, sst 316.....	2	
11	452188	Bearing.....	1	
12	852554	Setscrew, 10-32 x 1/4 in., sst 316.....	2	
13	452023	Gear.....	1	
14	459240	Gear.....	1	
15	452095	Tube - Distributor.....	1	
16	852797	Screw, 8-32, sst 316.....	1	Not Shown
17	458923	Plate - Side.....	2	
18	474777	Stud, snap-in.....	80	
19	454032	Rod - Tie.....	2	
20	852805	Screw, 10-32 x 1/2 in., sst 316.....	6	
21	852799	Washer.....	6	
22	452096	Rod.....	8	
23	457069	Nut.....	1	
24	852867	Screw, 1/4-20 x 3/8, sst 316.....	1	
25	455776	Washer.....	1	
26	452089	Bearing.....	1	
	571405	Developer Rack Assembly.....	1	

Figure 3-4 Developer Rack Assembly - 571405
Order by Part Number

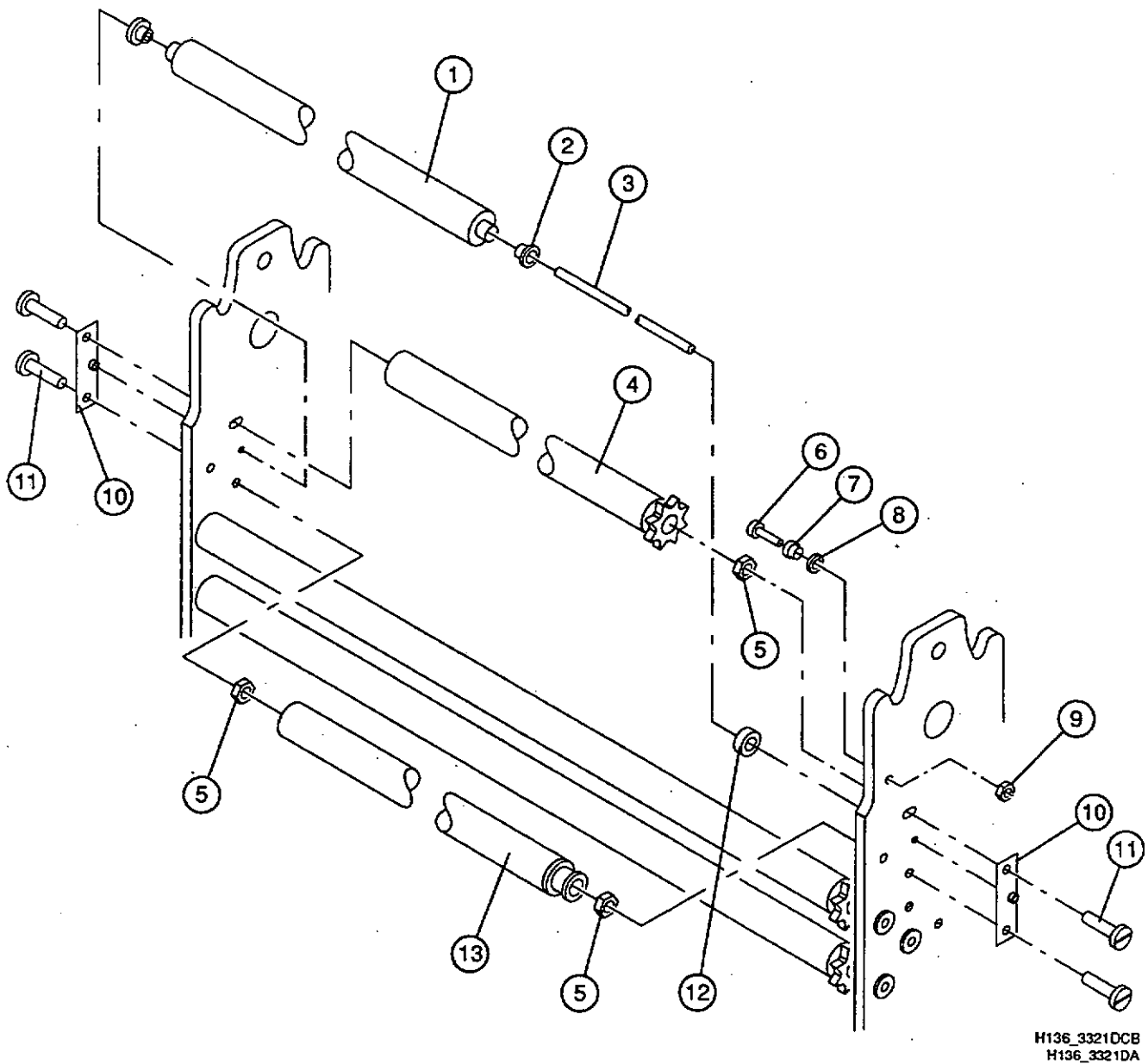
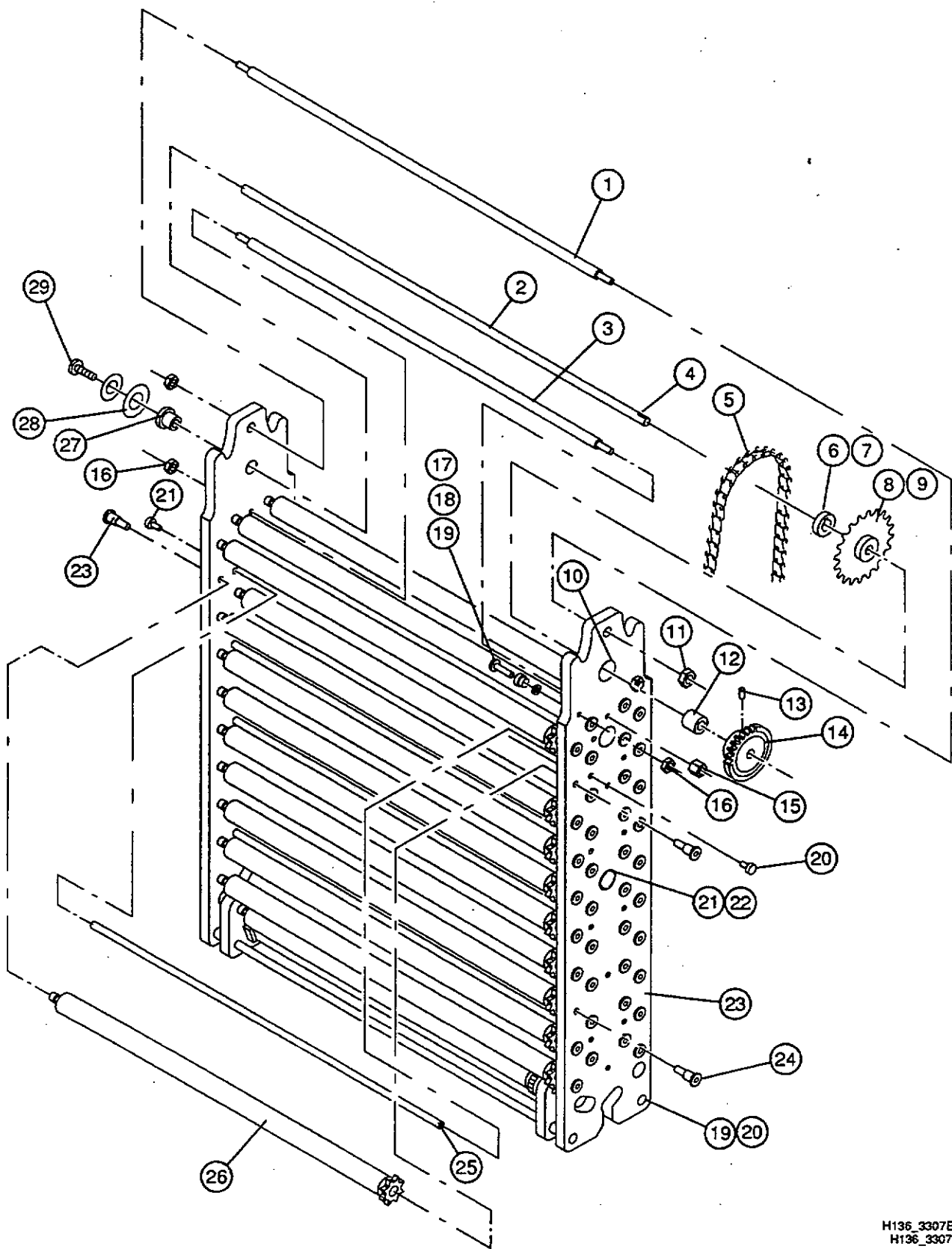


Figure 3-5 Developer Rewet Assembly
Order by Part Number

Item	Part No.	Description	Qty.
1	470087	Roller - Rewet	1
2	650711	Bearing	2
3	455775	Shaft	1
4	489695	Roller - Plain	1
5	452101	Nut, nylon, 5/16-24	3
6	452112	Stud	2
7	467887	Pulley	2
8	852799	Washer	2
9	852800	Nut, 10-32, sst 316	1
10	467126	Plate - Rewet	2
11	470507	Stud	4
12	459346	Spacer	1
13	489700	Roller - Drive	1

Figure 3-5 Developer Rewet Assembly
Order by Part Number



H136_3307ECA
H136_3307EA

Figure 3-6 Fixer Rack Assembly - 607616
Order by Part Number

Item	Part No.	Description	Qty.	Notes
1	452105	Rod - Spacer.....	1	
2	455775	Shaft.....	1	
3	452090	Bar.....	1	
4	452109	Key.....	1	
5	452111	Chain.....	1	
6	457109	Collar.....	1	
7	852554	Setscrew, 10-32 x 1/4 in., sst 316.....	1	Not Shown
8	466671	Sprocket.....	1	
9	452044	Key.....	1	Not Shown
10	452188	Bearing.....	1	
11	852798	Nut, 5/16-24, sst 316.....	2	
12	455777	Spacer.....	1	
13	852554	Setscrew, 10-32 x 1/4 in., sst 316.....	1	
14	459240	Gear.....	1	
15	457069	Nut.....	1	
16	852800	Nut, 10-32, sst 316.....	1	
17	452112	Stud.....	1	
18	467887	Pulley.....	1	
19	852799	Washer.....	8	
20	852805	Screw, 10-32 x 1/2 in., sst 316.....	6	
21	452095	Tube - Distributor.....	1	
22	852797	Screw, 8-32, sst 316.....	1	Not Shown
23	458923	Plate - Side.....	2	
24	474777	Stud, snap-in.....	80	
25	454032	Rod - Tie.....	10	
26	489695	Roller - Plain.....	38	
27	452089	Bearing.....	1	
28	455776	Washer.....	1	
29	852867	Screw, 1/4-20 x 3/8, sst 316.....	1	
	607616	Fixer Rack Assembly.....	1	

Figure 3-6 Fixer Rack Assembly - 607616
Order by Part Number

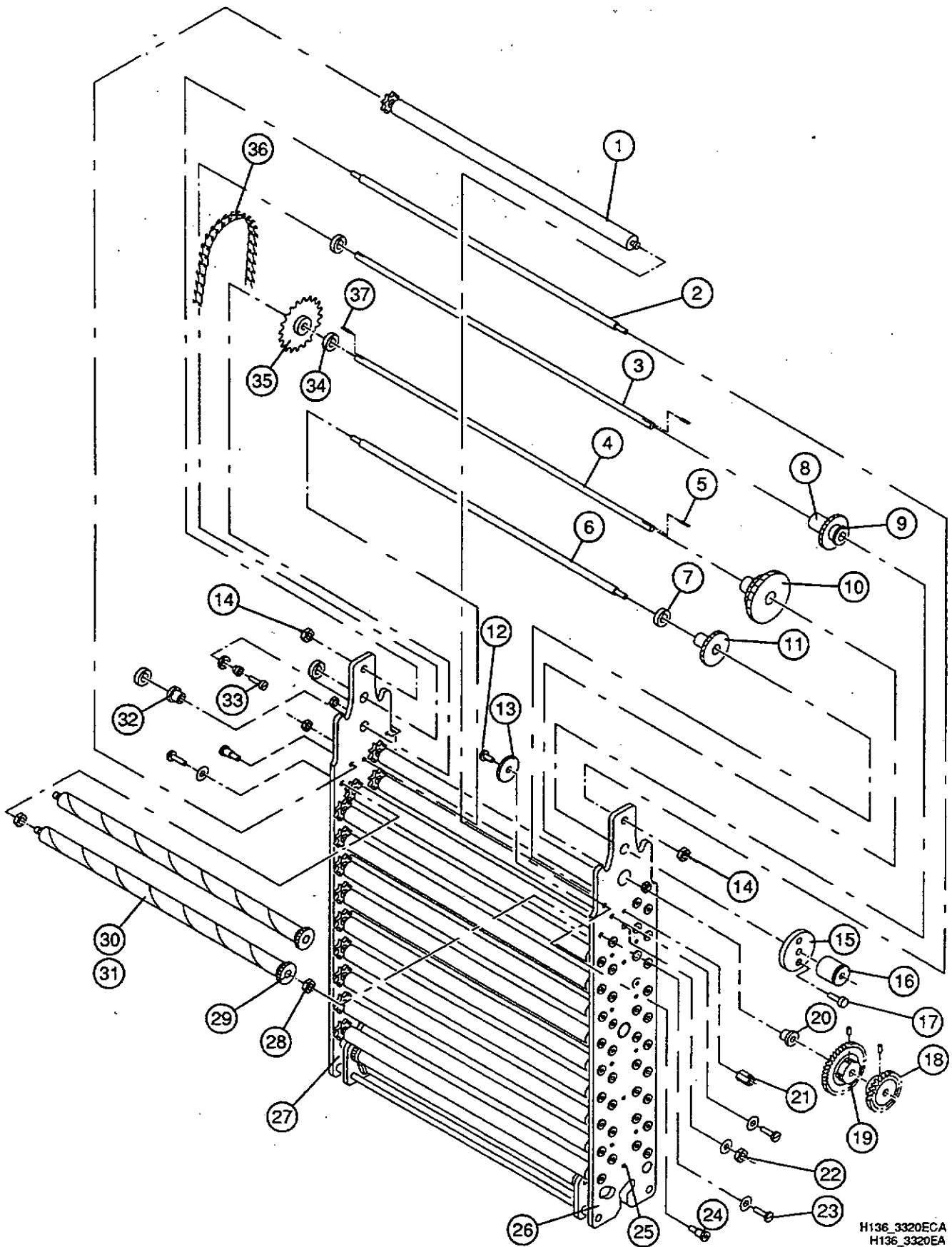
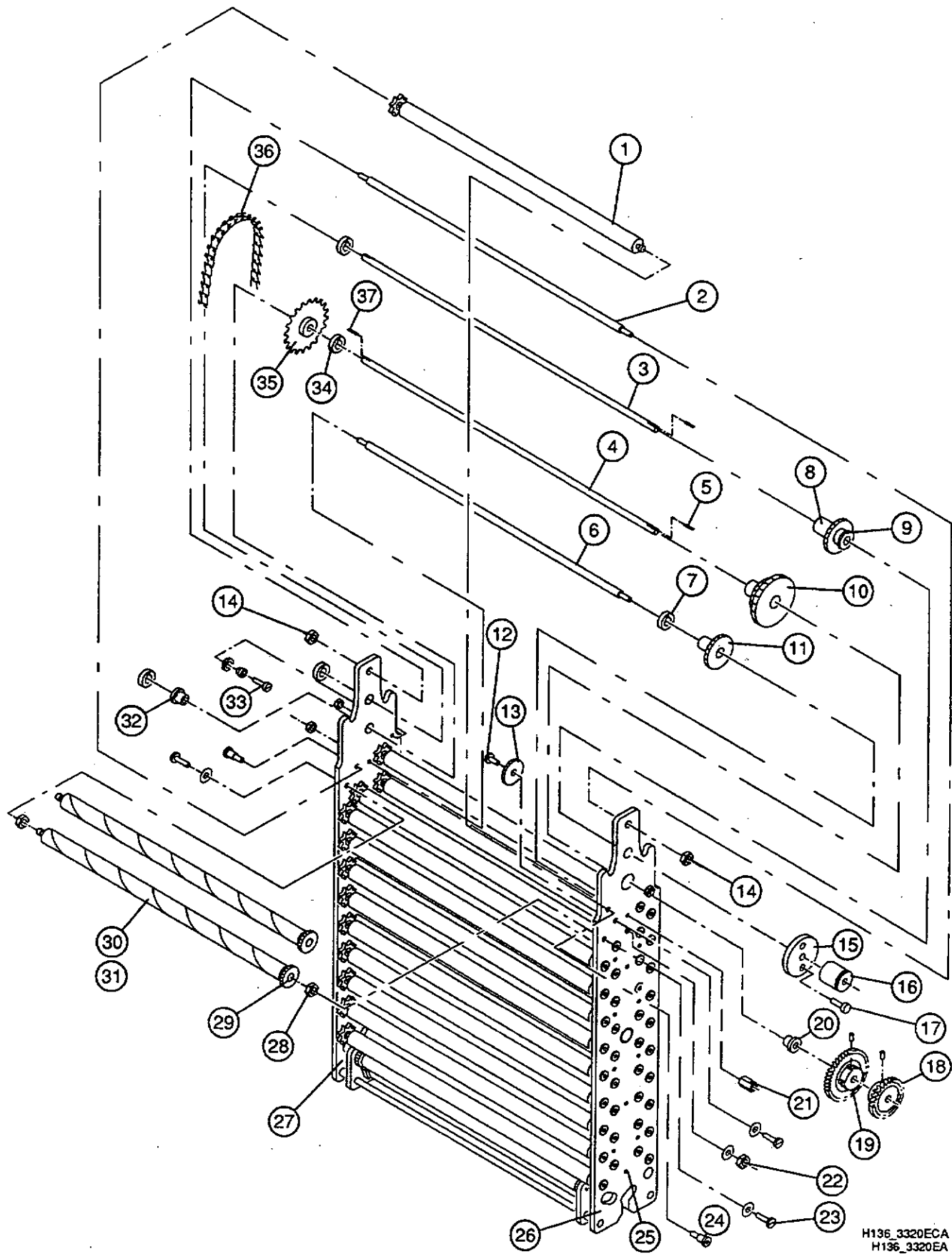


Figure 3-7 Wash Rack Assembly - 699880
Order by Part Number

Item	Part No.	Description	Qty.	Notes
1	489695	Roller - Plain	38	
2	452105	Rod - Spacer	1	
3	990276	Shaft	1	
4	990272	Shaft	1	
5	452109	Key	1	
6	452090	Bar	1	
7	457100	Collar	6	
	852555	Setscrew, 10-32 x 3/8 in., sst 316	6	Not Shown
8	462581	Sleeve Assembly	1	Includes: 462946 - Bushing (2) 852887 - Screw 852799 - Washer
9	990271	Gear	1	
10	990273	Gear	1	
	990274	Bushing <i>x</i> <i>990275 (AS)</i>	1	Not Shown
11	462943	Gear	1	
	462944	Bushing	1	Not Shown
12	459638	Stud	1	
13	462941	Gear - Idler	1	
	462942	Bushing	1	Not Shown
14	852798	Nut, 5/16-24, sst 316	2	
15	459635	Flange	1	
16	968868	Coupling, male	1	
	852555	Setscrew, 10-32 x 3/8 in., sst 316	2	Not Shown
17	853137	Screw, 8-32 x 3/8, sst 316	2	
18	459240	Gear	1	
19	452023	Gear	1	
	852554	Setscrew, 10-32 x 1/4 in., sst 316	4	
20	452188	Bearing	1	
21	457069	Nut	1	
22	853136	Nut, 1/4-20, sst 316	2	
23	462950	Stud, buffer roller	4	
	852614	Washer	4	
24	474777	Stud, snap-in	76	
25	454032	Rod - Tie	10	
	852805	Screw, 10-32 x 1/2 in., sst 316	20	
	852799	Washer	20	
26	990289	Plate - Side, idle	1	
27	990290	Plate - Side, drive	1	
28	852798	Nut, 5/16-24, sst 316	4	
29	462939	Gear	2	
30	462936	Buffer Roller Assembly	2	Includes: 462933 - Sleeve 462939 - Gear 462951 - Bearing 462938 - Gudgeon 852889 - Setscrew (2) 462940 - Retaining Ring 853133 - Setscrew
31	462933	Sleeve	2	
32	452188	Bearing	1	

Figure 3-7 Wash Rack Assembly - 699880
Order by Part Number

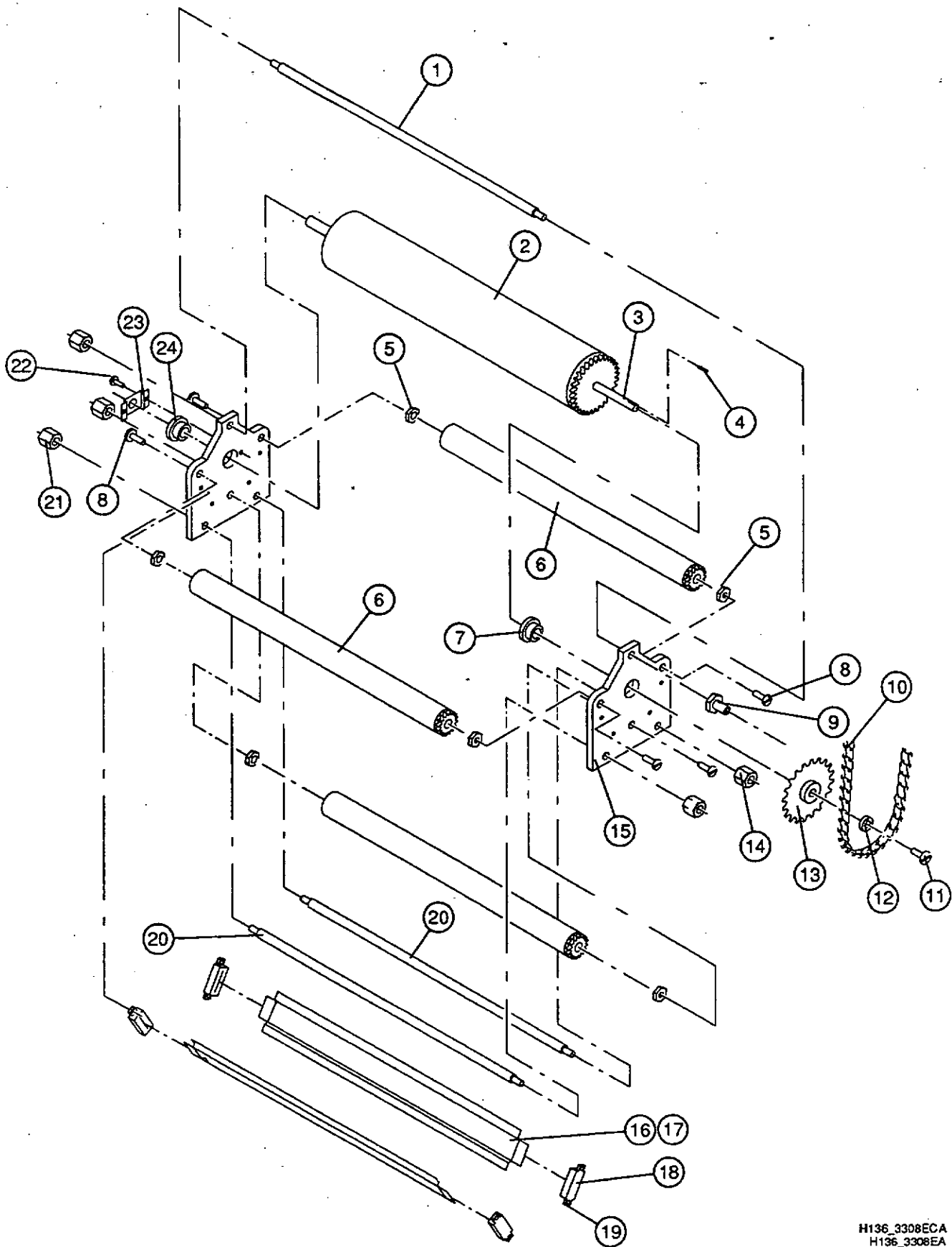


H136_3320ECA
H136_3320EA

Figure 3-7 Wash Rack Assembly - 699880
Order by Part Number

Item	Part No.	Description	Qty.	Notes
33	452112	Stud	1	
	452113	Pulley	1	
	852800	Nut, 10-32, sst 316	1	
34	852801	Nut, 3/8-24, sst 316	1	
35	466671	Sprocket	1	
36	452111	Chain	1	
37	452044	Key	1	
	699880	Wash Rack Assembly	1	

Figure 3-7 Wash Rack Assembly - 699880
Order by Part Number

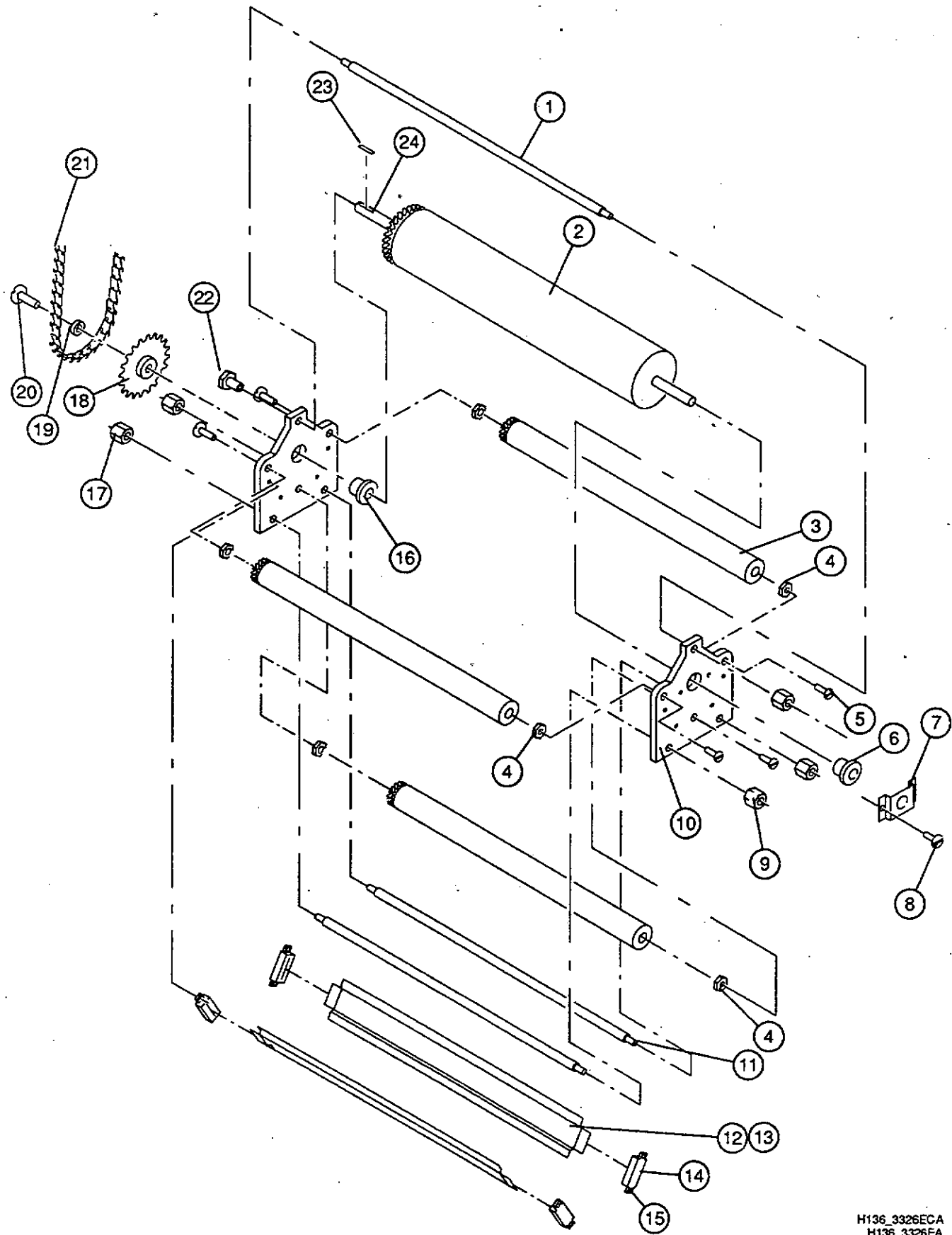


H136_3308ECA
H136_3308EA

Figure 3-8 Developer/Fixer Turnaround Assemblies - 571408
Order by Part Number

Item	Part No.	Description	Qty.	Notes
1	452216	Rod.....	1	
2	454433	Roller - Master.....	1	
3	452038	Shaft.....	1	
4	452044	Key.....	1	
5	452101	Nut, nylon, 5/16-24.....	6	
6	452901	Roller - Cluster.....	3	
7	452217	Bearing.....	1	
8	452100	Stud.....	6	
9	452114	Screw - Spacer.....	1	
10	452111	Chain.....	1	
11	852683	Screw, 10-32 x 3/8 in., sst 316.....	1	
12	452041	Washer.....	1	
13	466671	Sprocket.....	1	
14	452034	Nut.....	2	
15	453180	Plate - Side.....	2	
16	454687	Shoe - Guide.....	2	
17	852807	Screw, 8-32 x 1/2 in., sst 316.....	8	Not Shown
18	463160	Support.....	4	
19	852857	Setscrew, 8-32 x 1/4 in., sst 316.....	4	
20	452033	Rod.....	2	
21	452035	Nut.....	3	
22	852946	Screw, 8-32 x 1/4, sst 316.....	2	
23	455760	Retainer.....	1	
24	452212	Bearing.....	1	
	571408	Developer/Fixer Turnaround Assembly.....	1	

Figure 3-8 Developer/Fixer Turnaround Assemblies - 571408
Order by Part Number

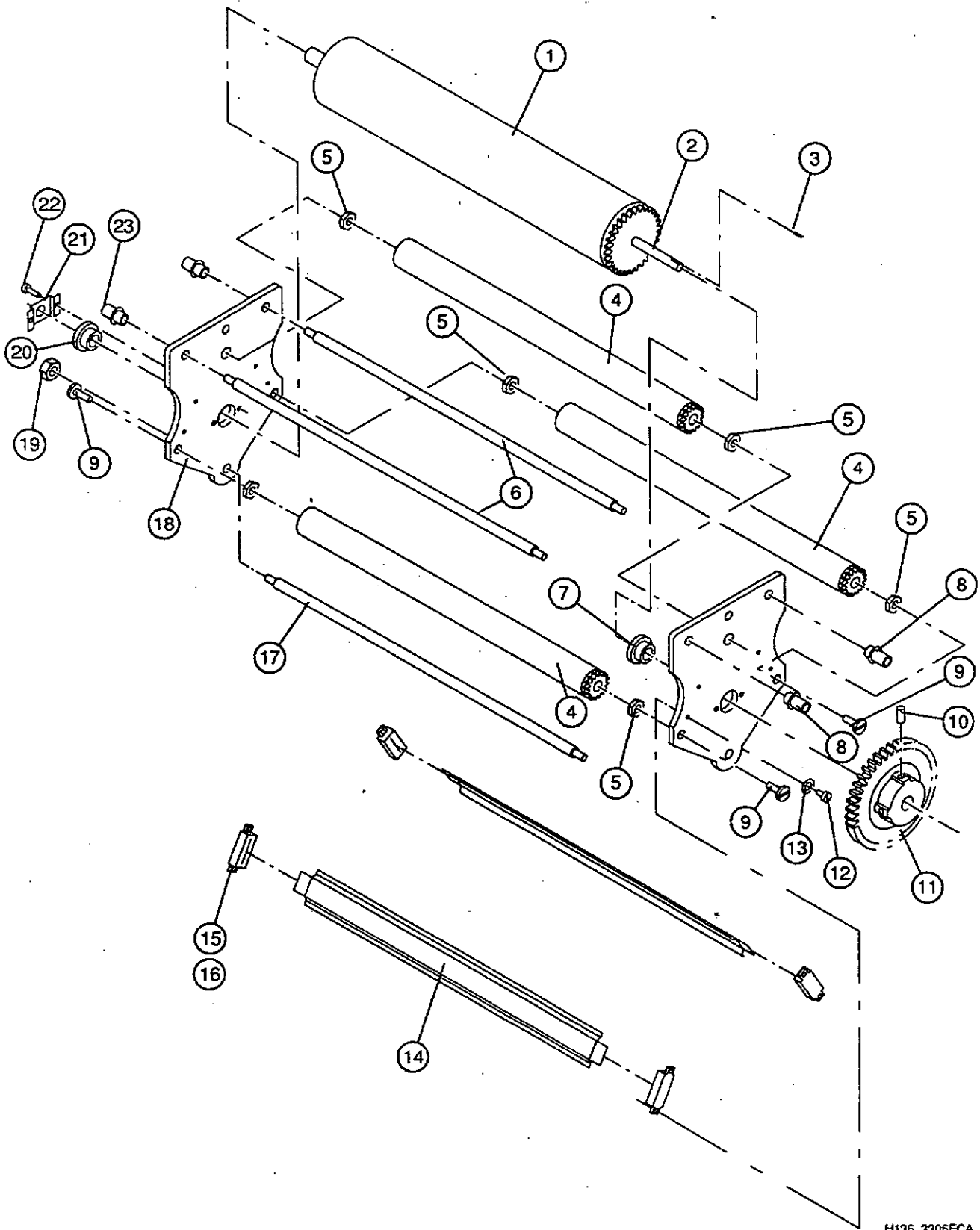


H136_3326ECA
H136_3326EA

Figure 3-9 Wash Turnaround Assembly - 699881
Order by Part Number

Item	Part No.	Description	Qty.	Notes
1	452216	Rod.....	1	
2	454433	Roller - Master.....	1	
4	452101	Nut, nylon, 5/16-24.....	6	
3	452901	Roller - Cluster.....	3	
5	452100	Stud.....	6	
6	452212	Bearing.....	1	
7	455760	Retainer.....	1	
8	852946	Screw, 8-32 x 1/4, sst 316.....	2	
9	452035	Nut.....	3	
10	453180	Plate - Side.....	2	
11	452033	Rod.....	1	
12	454687	Shoe - Guide.....	2	
13	852807	Screw, 8-32 x 1/2 in., sst 316.....	8	Not Shown
	852611	Washer.....	8	Not Shown
14	463160	Support.....	4	
15	852857	Setscrew, 8-32 x 1/4 in., sst 316.....	4	
16	452217	Bearing.....	1	
17	452034	Nut.....	2	
18	466671	Sprocket.....	1	
19	452041	Washer.....	1	
20	852683	Screw, 10-32 x 3/8 in., sst 316.....	1	
21	452111	Chain.....	1	
22	452114	Screw - Spacer.....	1	
23	452044	Key.....	1	
24	452038	Shaft.....	1	
	699881	Wash Turnaround Assembly.....	1	

Figure 3-9 Wash Turnaround Assembly - 699881
Order by Part Number



H136_3306ECA
H136_3306EA

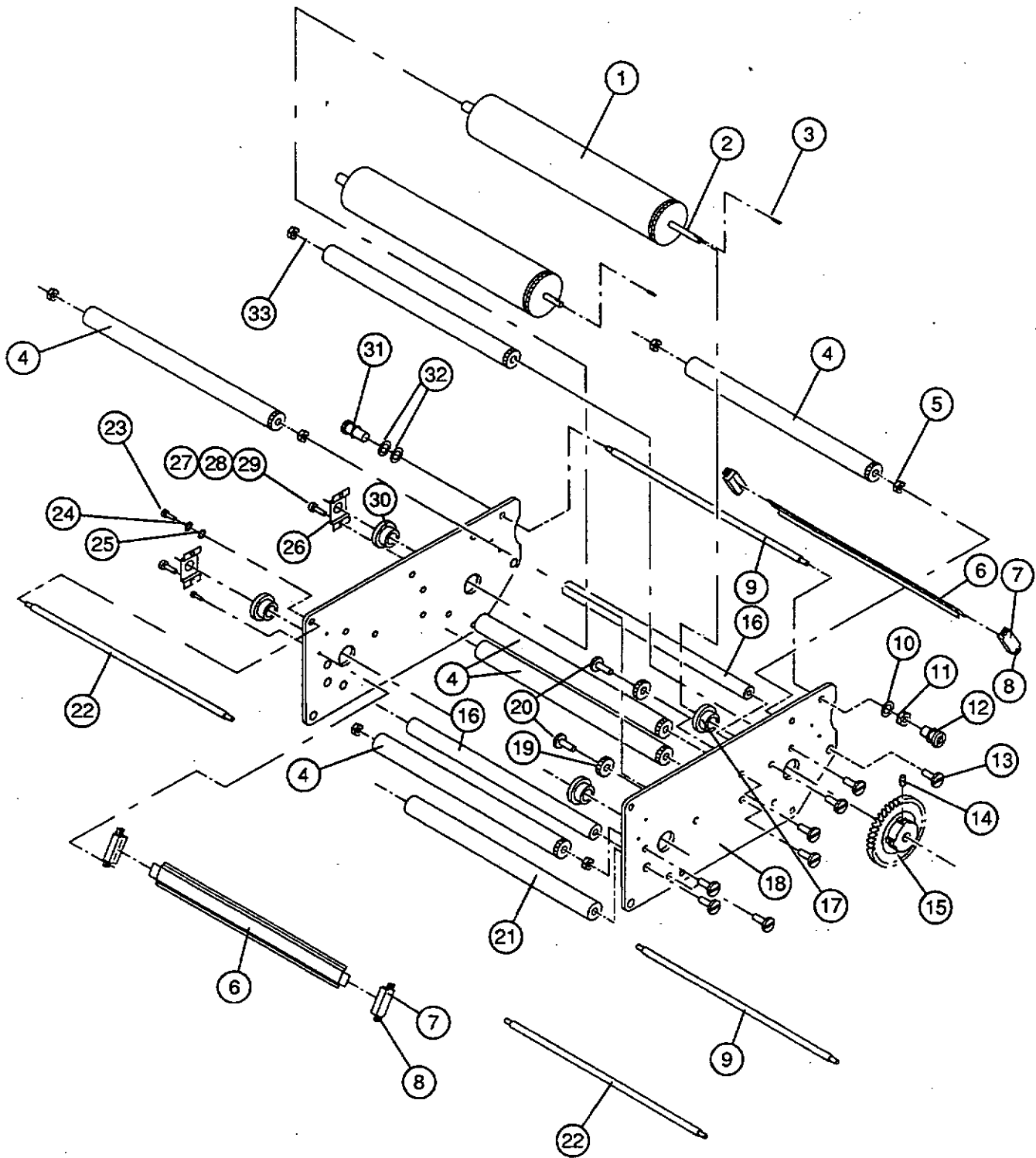
Figure 3-10 Crossover Assemblies
Order by Part Number

Item	Part No.	Description	Qty.	Notes
1	454433	Roller - Master	1	
2	452005	Shaft	1	
3	452028	Key	1	
4	452901	Roller - Cluster	3	
5	452101	Nut, nylon, 5/16-24	6	
6	452001	Rod	2	
7	452215	Bearing	1	
8	472756	Nut - Long	2	
9	452100	Stud	6	
10	852554	Setscrew, 10-32 x 1/4 in., sst 316	2	
11	452023	Gear	1	
12	852807	Screw, 8-32 x 1/2 in., sst 316	8	
13	852611	Washer	4	
14	454687	Shoe - Guide	2	
15	463160	Support	4	
16	852857	Setscrew, 8-32 x 1/4 in., sst 316	4	Not Shown
17	452213	Rod	1	
18	471649	Plate - Side, developer-fix	2	
	990281	Plate - Side, fix-wash	2	
19	852798	Nut, 5/16-24, sst 316	2	
20	452212	Bearing	1	
21	455760	Retainer	1	
22	852946	Screw, 8-32 x 1/4, sst 316	2	
23	458606	Nut	2	
	571403	Developer-Fix Crossover Assembly	1	
	699879	Fix-Wash Crossover Assembly	1	
	990294	Tube - J, fix-wash crossover <i>metal pipe</i>	1	Not Shown
	852682	Screw, 8-32 x 3/8 in., sst 316	2	Not Shown
	852611	Washer	2	Not Shown
	853100	Washer - Lock	2	Not Shown

968740 J tube

943700 QUICK DISCONNECT-male coupler.

Figure 3-10 Crossover Assemblies
Order by Part Number



H136_3313ECA
H136_3313EA

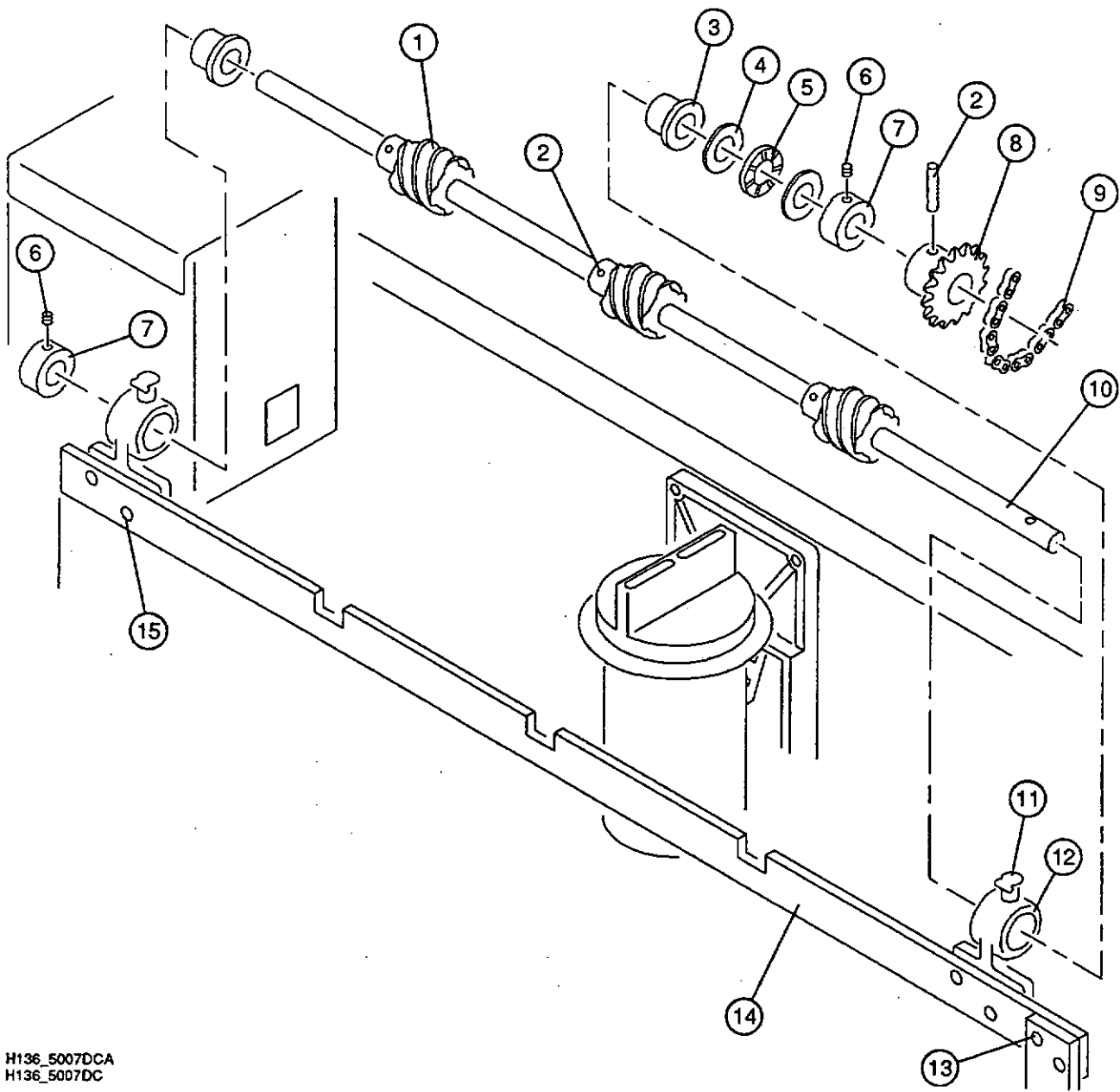
Figure 3-11 Squeegee Assembly - 699882
Order by Part Number

Item	Part No.	Description	Qty.	Notes
1	454433	Roller - Master	2	
2	990283	Shaft.....	2	
3	452028	Key	1	
4	452901	Roller - Cluster.....	6	
5	452101	Nut, nylon, 5/16-24	18	
6	452214	Shoe - Guide.....	2	
7	463160	Support.....	4	
	852857	Setscrew, 8-32 x 1/4 in., sst 316.....	4	Not Shown
8	852682	Screw, 8-32 x 3/8 in., sst 316	8	
	852611	Washer	8	
9	452001	Rod.....	2	
10	990293	Spacer	1	
11	852798	Nut, 5/16-24, sst 316	1	
12	458606	Nut.....	1	
13	452100	Stud.....	18	
	968087	Spacer	7	
14	852857	Setscrew, 8-32 x 1/4 in., sst 316.....	2	
15	452023	Gear	1	
16	562330	Roller - Idler	2	
17	452217	Bearing.....	2	
18	990279	Plate - Side	2	
19	458869	Gear - Idler.....	2	
20	963999	Bolt - Shoulder	2	
21	452931	Roller - Cluster, idler.....	1	
22	990284	Rod - Tie	2	
23	852683	Screw, 10-32 x 3/8 in., sst 316	4	
24	535004	Washer - Lock.....	4	
25	852799	Washer.....	8	
26	455760	Retainer.....	1	
27	852682	Screw, 8-32 x 3/8 in., sst 316	4	
28	853100	Washer - Lock.....	4	
29	852611	Washer.....	4	
30	990291	Bearing, non-drive side.....	2	
31	472755	Nut - Short	1	
32	990293	Spacer	2	
33	968086	Spacer	1	Not Shown
	699882	Squeegee Assembly	1	

Figure 3-11 Squeegee Assembly - 699882
Order by Part Number

BLANK PAGE

SECTION 4
Main Drive Assembly

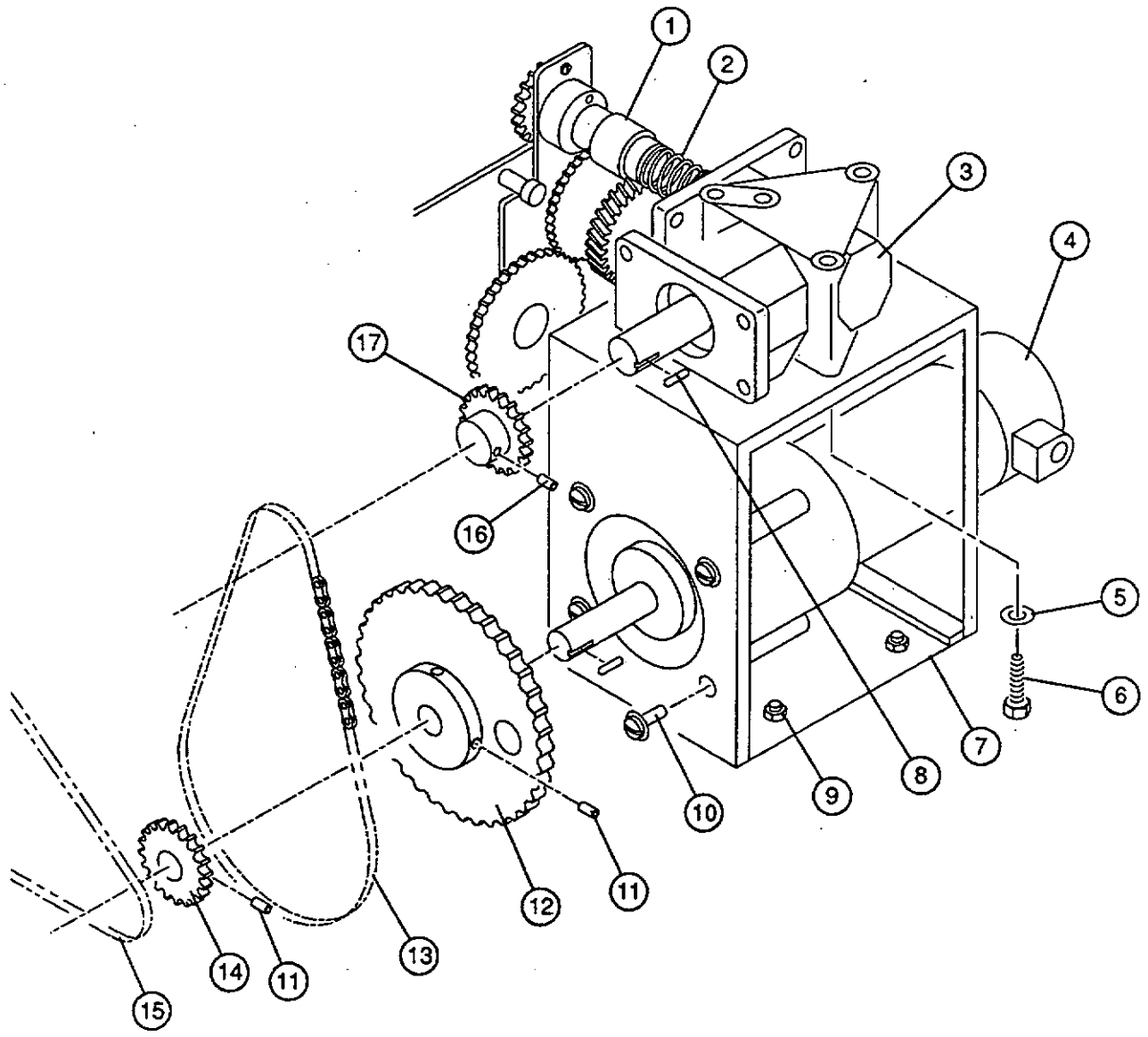


H136_5007DCA
H136_5007DC

Figure 4-1 Drive Shaft Assembly
Order by Part Number

Item	Part No.	Description	Qty.
1	454436	Worm.....	3
2	853000	Pin	3
3	454462	Bearing.....	1
4	748957	Washer.....	2
5	897205	Bearing - Thrust.....	1
6	852553	Setscrew, 8-32, sst 316.....	2
7	454446	Collar.....	2
8	454451	Sprocket.....	1
9	968098	Chain - Main drive.....	1
10	968094	Shaft.....	1
11	458206	Oiler.....	2
12	456931	Support.....	2
13	852520	Bolt - Mounting.....	8
14	456191	Support - Rack, drive side.....	1
	459699	Support - Rack, idle side.....	1
15	852658	Screw, 10-32 x 1/2 in.....	4

Figure 4-1 Drive Shaft Assembly
Order by Part Number

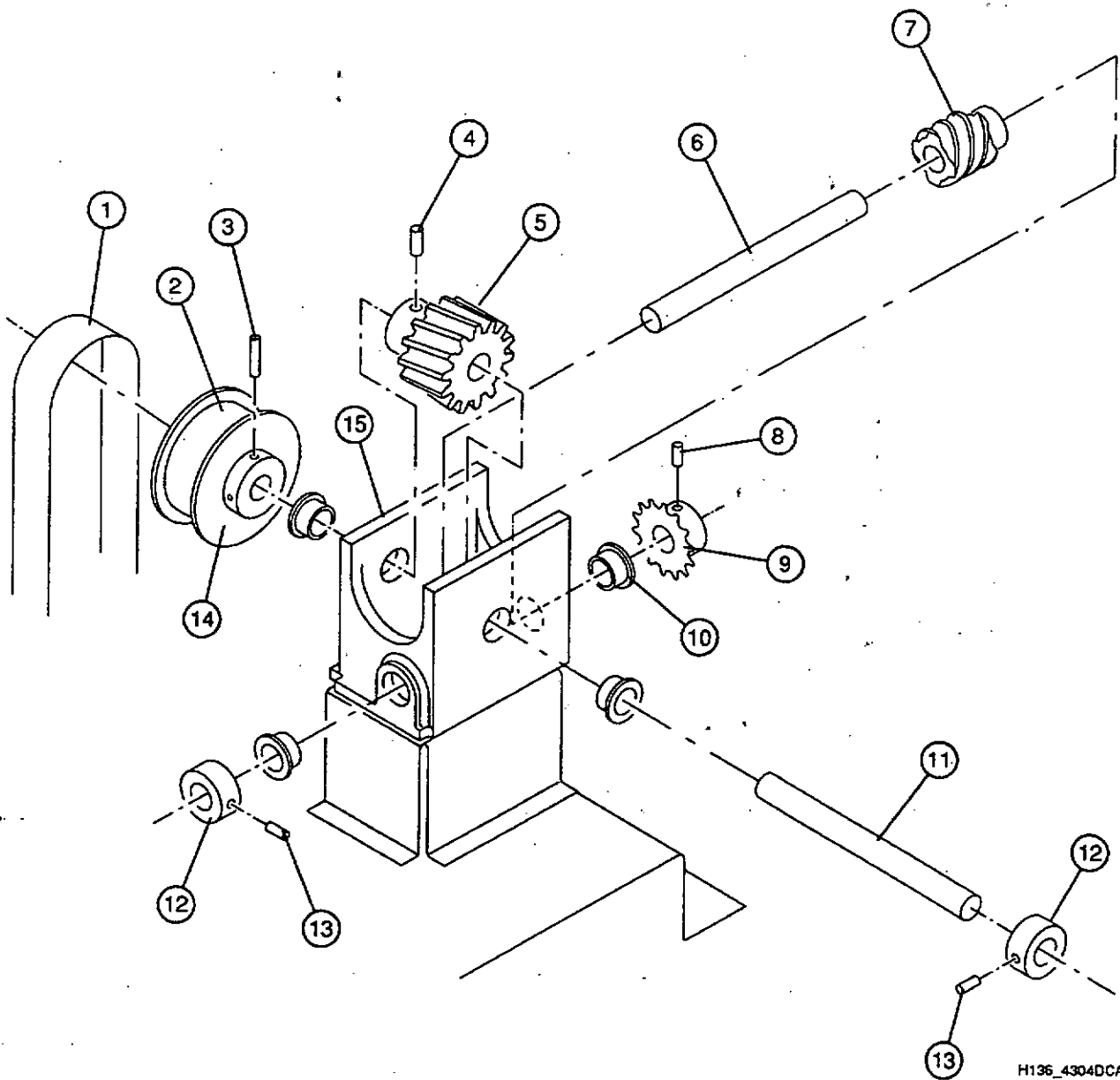


H136_5004DCB
H136_5004DA

Figure 4-2 Main Drive Assembly
Order by Part Number

Item	Part No.	Description	Qty.	Notes
1	963982	Coupling, female	1	
	963998	Retainer.....	1	Not Shown
	963990	Key	1	Not Shown
	853032	Pin	1	Not Shown
	943076	Setscrew, 6-32 x 1/4.....	1	Not Shown
	968009	Washer.....	1	Not Shown
	852682	Screw, 8-32 x 3/8 in., sst 316	1	Not Shown
2	963983	Spring.....	1	
3	968093	Gear Box, right angle.....	1	
4	968902	Motor - Drive, B2	1	
	990151	Brush.....	2	
	990152	Cap.....	2	
	990155	Spring.....	2	
5	852614	Washer.....	3	
	535010	Washer - Lock.....	3	
6	990286	Screw, 5/16-18 x 1 in., sst 316	3	
7	981459	Shim	1	As necessary
8	963990	Key	1	
9	852520	Bolt - Mounting.....	4	
	852799	Washer.....	4	
10	852871	Screw - Motor mounting, 10-32.....	4	
	168424	Washer - Lock.....	4	
11	852559	Setscrew, 10-32 x 3/8 in.....	2	
12	968099	Sprocket - Buffer drive, 60 tooth	1	
13	968091	Chain - Buffer drive.....	1	
14	454453	Sprocket, 19 tooth.....	1	
15	968098	Chain - Main drive	1	
16	852889	Setscrew, 6-32, sst 316.....	1	
17	990285	Sprocket, 14 tooth.....	1	

Figure 4-2. Main Drive Assembly
Order by Part Number

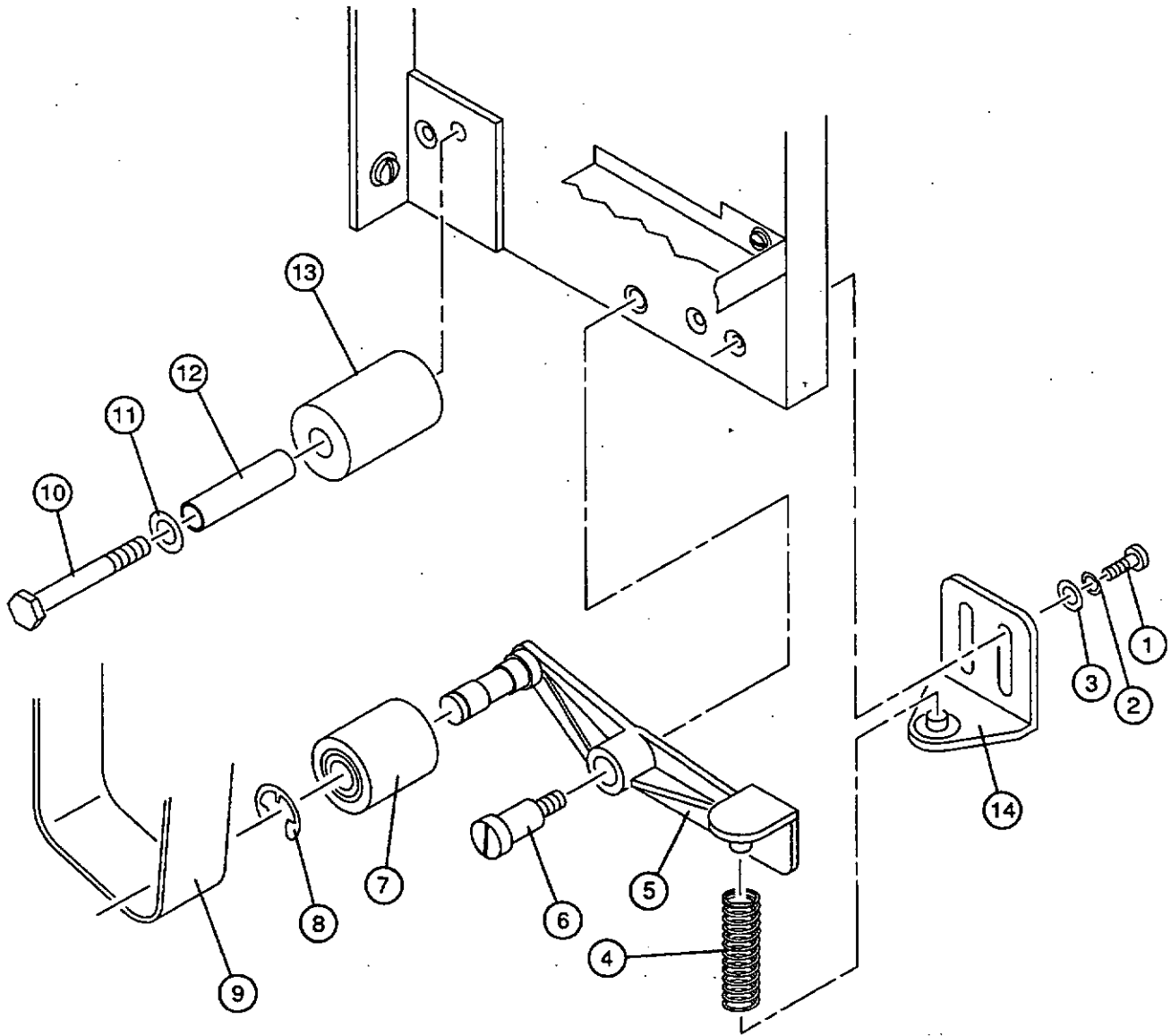


H136_4304DCA
H136_4304DA

Figure 4-3 Dryer Drive Pulley Assembly
Order by Part Number

Item	Part No.	Description	Qty.
1	458956	Belt - Dryer drive..... 1.0 x 59.5"	1
2	454554	Sleeve	1
3	853084	Pin	1
4	853000	Pin	1
5	482310	Gear	2
6	963997	Shaft	1
7	454477	Gear - Worm.....	1
	853000	Pin	1
8	852558	Setscrew, 10-32 x 1/4 in.....	1
9	454454	Sprocket, 20 tooth.....	1
10	454462	Bearing.....	1
11	454478	Shaft	4
12	454446	Collar.....	1
13	852553	Setscrew, 8-32, sst 316.....	2
14	454552	Pulley.....	2
15	594910	Housing	1
	852805	Screw, 10-32 x 1/2 in., sst 316	1
			3

Figure 4-3 Dryer Drive Pulley Assembly
Order by Part Number



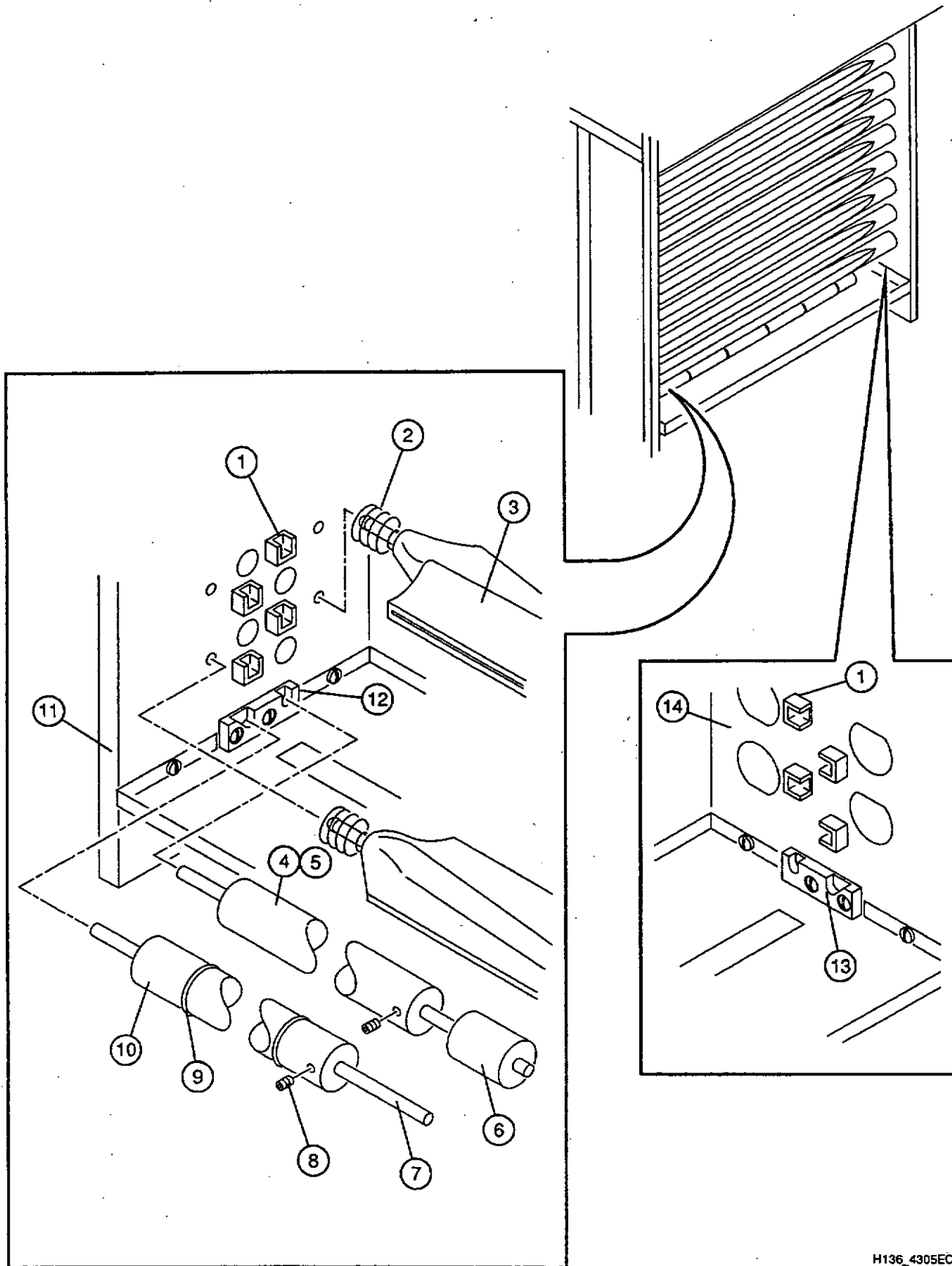
H136_4302DCA
H136_4302DA

Item	Part No.	Description	Qty.
1	852776	Screw, 10-32 x 3/8 in.....	2
2	535004	Washer - Lock.....	2
3	852799	Washer.....	2
4	240567	Spring.....	1
5	748689	Arm.....	1
6	795846	Stud.....	1
7	289783	Pulley.....	1
8	166326	Ring - Retaining.....	1
9	458956	Belt - Dryer drive.....	1
10	541262	Screw, 1/4-20 x 2 in.....	1
11	852630	Washer.....	1
	535009	Washer - Lock.....	1
12	779749	Sleeve.....	1
13	779727	Pulley.....	1
14	748690	Bracket - Spring.....	1

Figure 4-4 Lower Drive Belt Assembly
Order by Part Number

BLANK PAGE

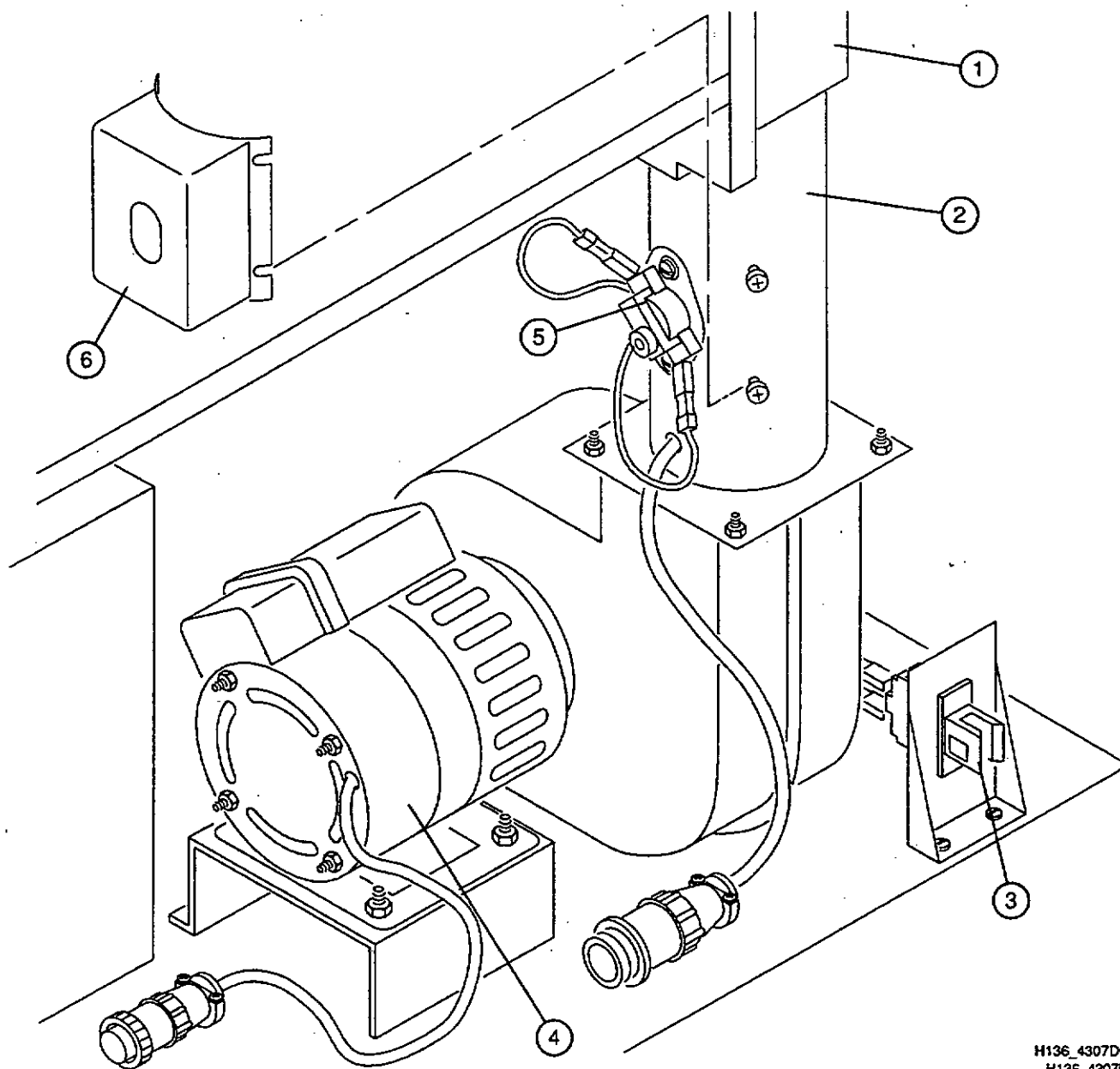
SECTION 5
Dryer Assembly



H136_4305ECA
H136_4305EA

Figure 5-1 Dryer Rollers and Air Tubes
Order by Part Number

Item	Part No.	Description	Qty.	Notes
1	562670	Block.....	44	Includes: Roller 459379 Setscrew 852851 Shaft 456162 Pulley 458901
2	562609	Spring.....	20	
3	779232	Tube - Air.....	20	
4	286949	Dryer Roller Assembly.....	20	
5	459379	Roller.....	1	
6	458901	Pulley.....	1	
7	456162	Shaft.....	1	
8	852851	Setscrew, 8-32 x 3/4 in.....	1	
9	454543	O-Ring.....	6	
10	286948	Drive Roller Assembly.....	1	
11	981455	Panel - Air flow, clear.....	1	
	981450	Plate - Side, non-drive side.....	1	
	852776	Screw, 10-32 x 3/8 in.....	6	
	535004	Washer - Lock.....	6	
12	852799	Washer.....	6	
	914985	Block, non-drive side.....	1	
13	852862	Screw, 8-32 x 1/2 in.....	2	
	914813	Block, drive side.....	1	
14	852862	Screw, 8-32 x 1/2 in.....	2	
	981451	Plate - Side, drive side.....	1	
	852776	Screw, 10-32 x 3/8 in.....	6	
	535004	Washer - Lock.....	6	
	852799	Washer.....	6	
	981014	Bracket, upper mounting.....	2	Not Shown, Side Plate to Frame
	852807	Screw, 8-32 x 1/2 in., sst 316.....	4	
	852611	Washer.....	4	
	853100	Washer - Lock.....	4	



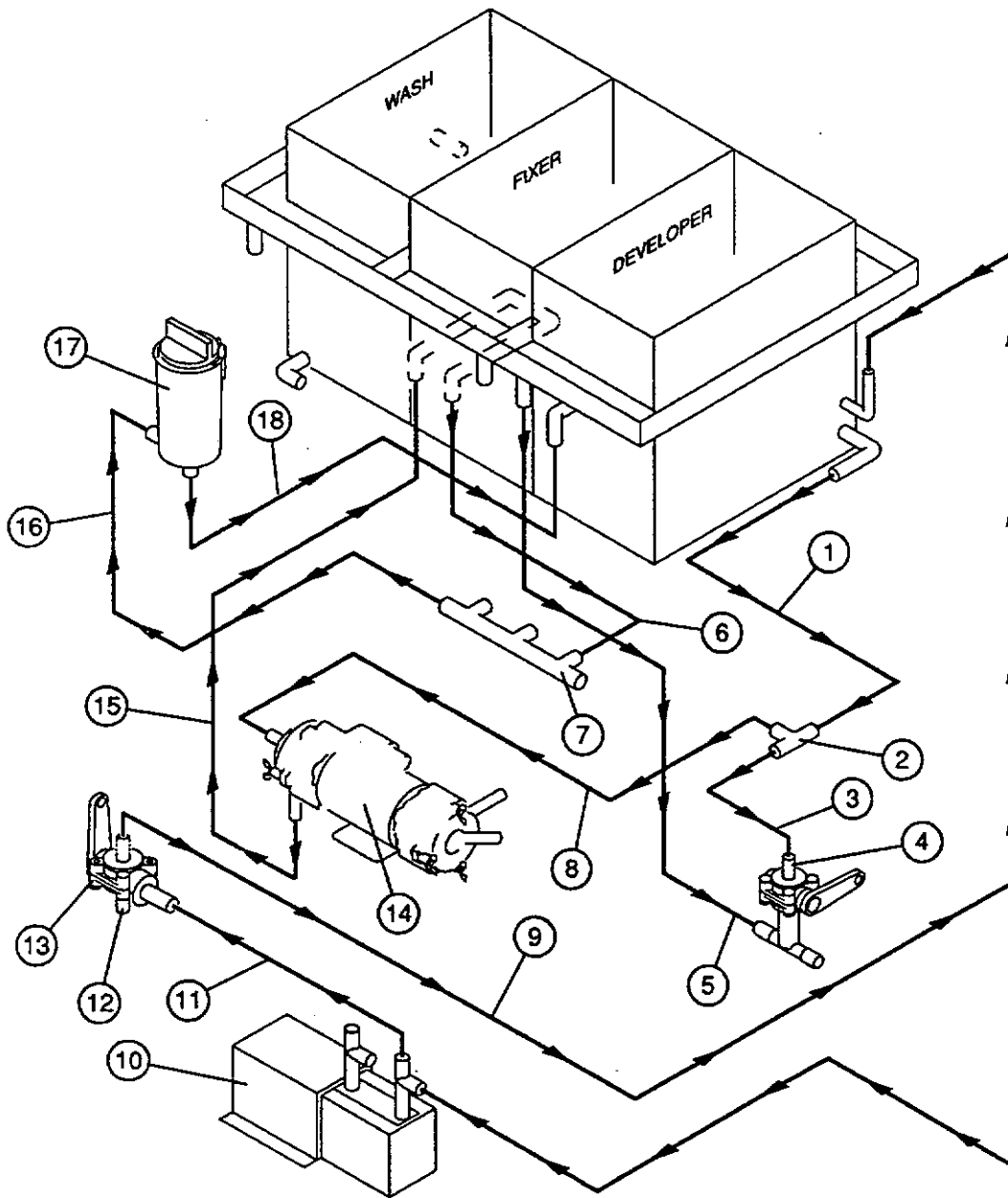
H136_4307DCB
H136_4307DA

Figure 5-2 Blower Motor and Dryer Heater Assemblies
Order by Part Number

Item	Part No.	Description	Qty.	Notes
1	981453	Plenum.....	1	
	852682	Screw, 8-32 x 3/8 in., sst 316.....	6	
	852611	Washer.....	6	
	853100	Washer - Lock.....	6	
	968021	Thermistor, RT2.....	1	
	852888	Screw, 8-32.....	2	
	981456	Gasket, order by the foot.....	8	
2	981550	Dryer Heater, HR1 Assembly.....	1	244 cm (8 ft) Includes: Over-Temperature Thermostat
	852888	Screw, 8-32.....	8	
3	315594	Switch - Interlock.....	1	Switch S8
4	990299	Blower Motor Assembly, B1.....	1	
	852622	Nut.....	4	
	853004	Washer - Lock.....	4	
	852799	Washer.....	4	
	981456	Gasket, order by the foot.....	2	
5	594795	Thermostat - Over-temperature.....	1	61 cm (2 ft)
6	990158	Cover.....	1	
	981468	Guard - Dryer.....	1	
				Not Shown

BLANK PAGE

SECTION 6
Plumbing

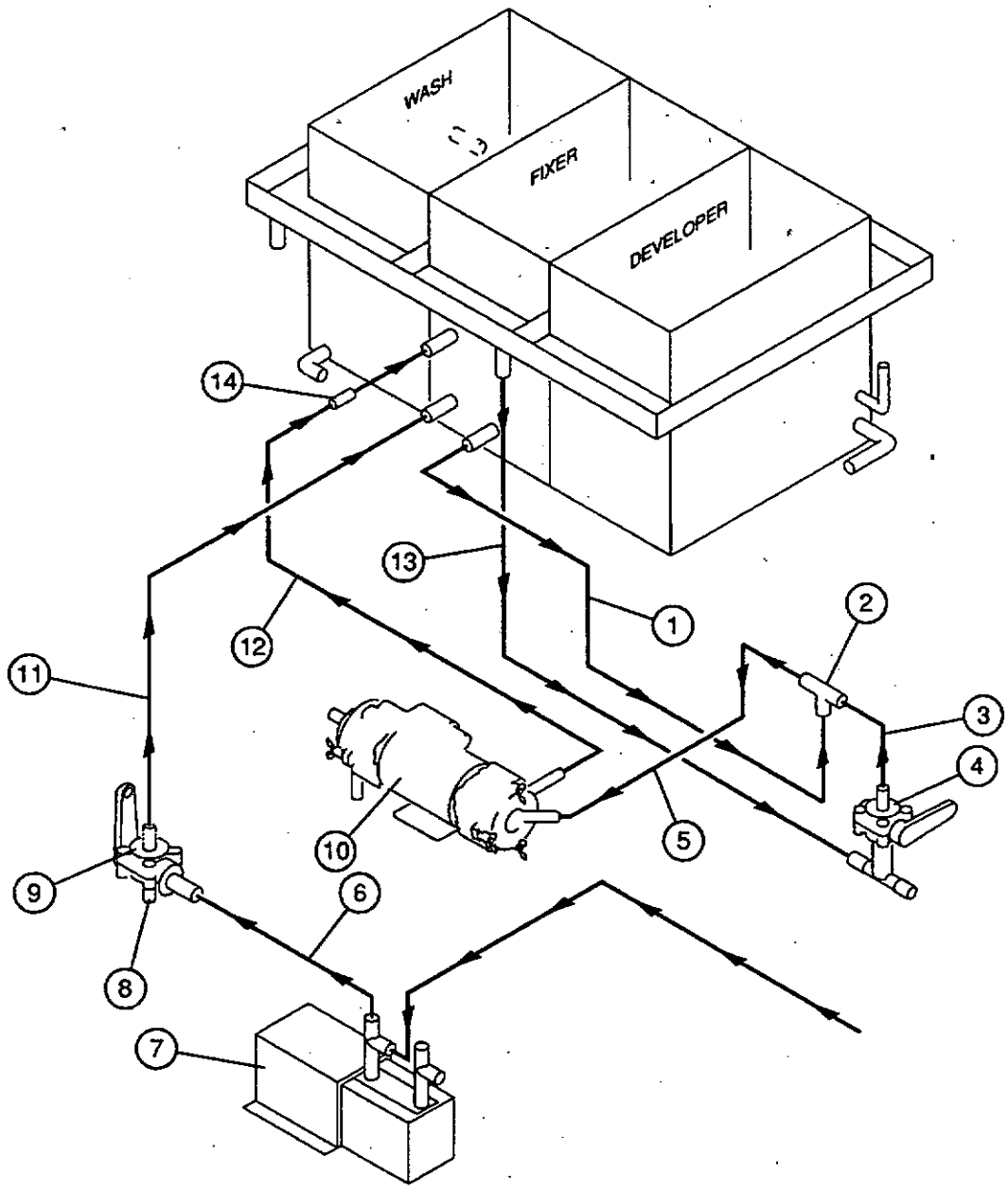


H136_2710DCA
H136_2710DA

Figure 6-1 Developer Circulation Plumbing Diagram
Order by Part Number

Item	Part No.	Description	Qty.
1	968849	Tubing, 5/8 in. I.D., size #6 clamp	1
2	186441	Tee	1
3	968848	Tubing, 1/2 in. I.D., size #6 clamp	1
4	240819	Drain Valve Assembly, includes handle	1
	748585	Tee	1
5	968850	Tubing, 3/4 in. I.D., size #10 clamp	1
6	968842	Tubing, 1/2 in. I.D., size #6 clamp	1
7	607748	Thermowell.....	1
8	968847	Tubing, 3/4 in. I.D., size #10 clamp	1
9	968018	Tubing, 3/8 in. I.D., size #2 clamp	1
10	990150	Replenishment Pump Assembly, B4	1
11	968077	Tubing, 3/8 in. I.D., size #2 clamp	1
12	452990	Tube - Replenishment check, 3/8 in. x 6 in. bulk	1
13	240888	Valve - Replenishment check.....	1
14	955849	Recirculation Pump Assembly, B3	1
15	968836	Tubing, 1/2 in. I.D., size #6 clamp	1
16	968838	Tubing, 1/2 in. I.D., size #6 clamp	1
17	261391	Canister - Developer filter.....	1
	562790	Cartridge - Filter.....	1
	562553	Cap - Filter, includes O-Ring 562485.....	1
18	968835	Tubing, 1/2 in. I.D.	1
	246800	#2 Clamp.....	1
	246802	#6 Clamp.....	1
	246808	#10 Clamp.....	1

Figure 6-1 Developer Circulation Plumbing Diagram
Order by Part Number



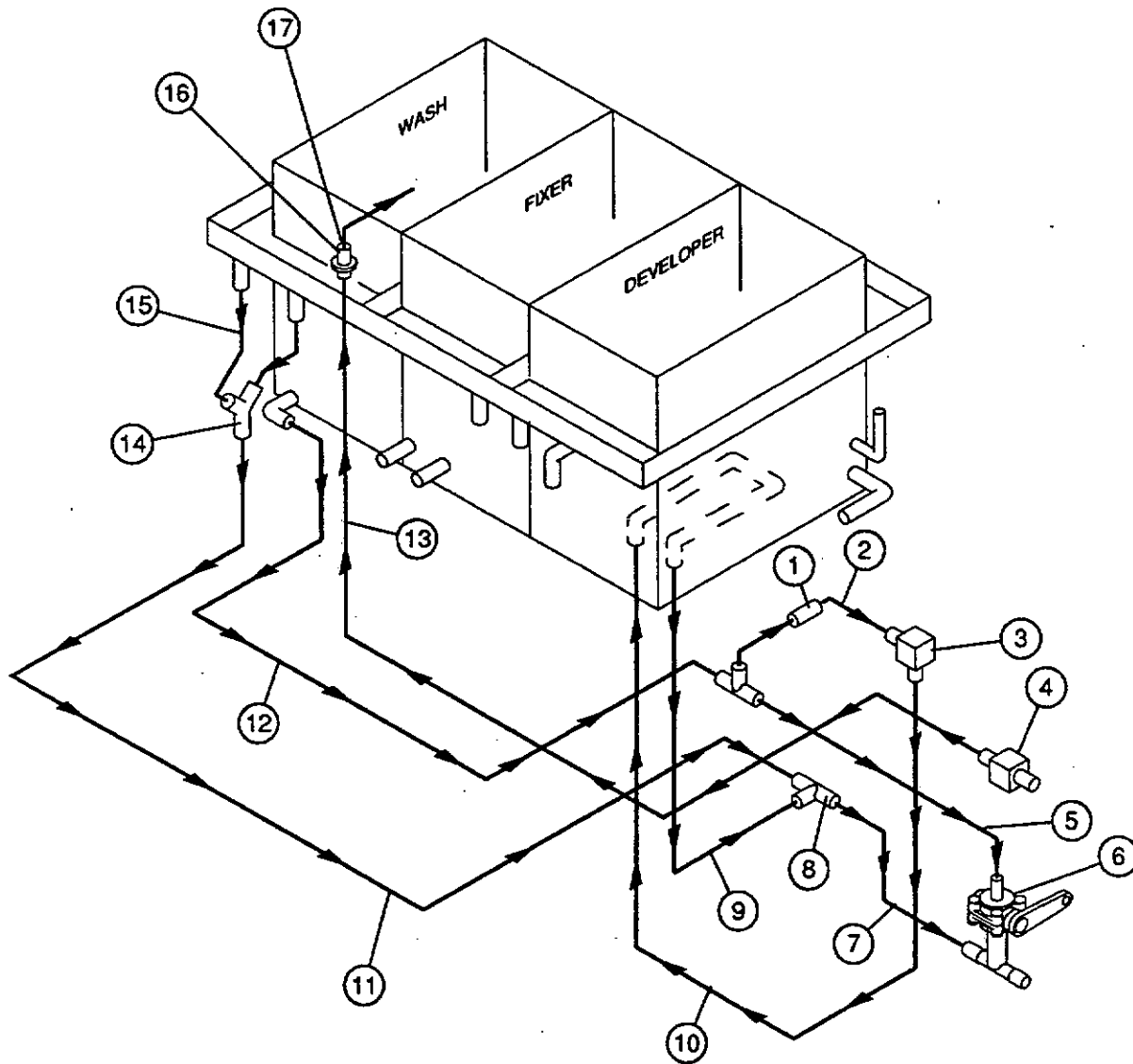
H136_2711DCA
H136_2711DA

Figure 6-2 Fixer Circulation Plumbing Diagram
Order by Part Number

IND B 2004

Item	Part No.	Description	Qty.
1	968852	Tubing, 3/4 in. I.D., size #6 clamp	1
2	186441	Tee	1
3	968830	Tubing, 1/2 in. I.D., size #6 clamp	1
4	240819	Drain Valve Assembly, includes handle	1
	748585	Tee	1
5	968836	Tubing, 1/2 in. I.D., size #6 clamp	1
6	968077	Tubing, 3/8 in. I.D., size #2 clamp	1
7	990150	Replenishment Pump Assembly, B4	1
8	452990	Tube - Replenishment check, 3/8 in. x 6 in. bulk	1
9	240888	Valve - Replenishment check	1
10	955849	Recirculation Pump Assembly, B3	1
11	968020	Tubing, 3/8 in. I.D., size #2 clamp	1
12	968841	Tubing, 1/2 in. I.D., size #6 clamp	1
13	968851	Tubing, 3/4 in. I.D., size #10 clamp	1
14	539141	Orifice	1
	539151		1
	246800	#2 Clamp	1
	246802	#6 Clamp	1
	246808	#10 Clamp	1

Figure 6-2 Fixer Circulation Plumbing Diagram
Order by Part Number

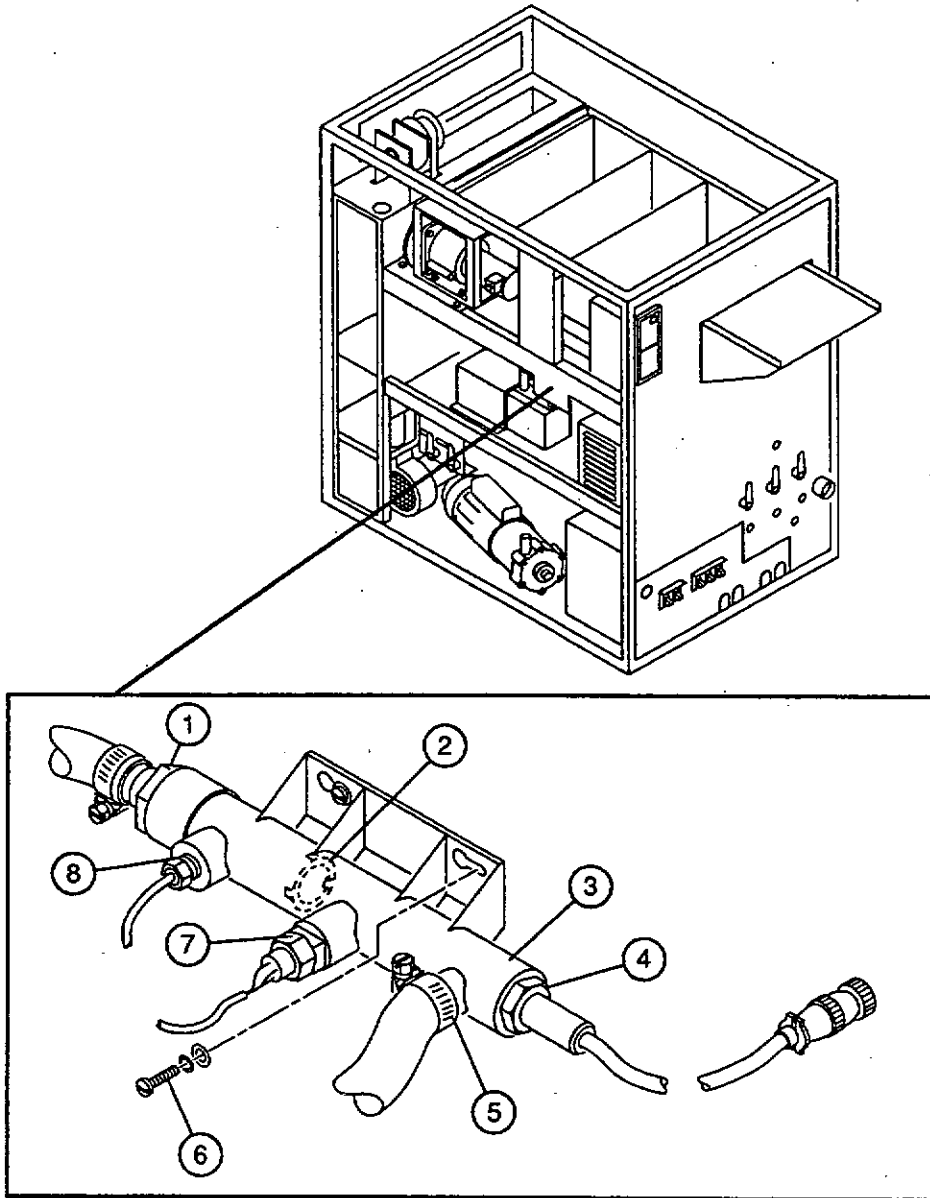


H136_2709DCA
H136_2709DA

Figure 6-3 Wash Circulation Plumbing Diagram
Order by Part Number

Item	Part No.	Description	Qty.
1	539151	Orifice.....	1
2	968853	Tubing, 1/2 in. I.D., size #6 clamp.....	1
3	968096	Solenoid - Developer cooling, L2.....	1
	852622	Nut.....	1
	853004	Washer - Lock.....	4
	852799	Washer.....	4
4	981742	Solenoid - Water inlet, L1.....	4
	852622	Nut.....	1
	853004	Washer - Lock.....	4
	852799	Washer.....	4
5	968834	Tubing, 1/2 in. I.D., size #6 clamp.....	4
6	240819	Drain Valve Assembly, includes handle.....	1
	748585	Tee.....	1
7	968852	Tubing, 3/4 in. I.D., size #6 clamp.....	1
8	186441	Tee.....	1
9	968836	Tubing, 1/2 in. I.D., size #6 clamp.....	1
10	968855	Tubing, 1/2 in. I.D., size #6 clamp.....	1
11	968846	Tubing, 3/4 in. I.D., size #10 clamp.....	1
12	968840	Tubing, 3/4 in. I.D., size #10 clamp.....	1
13	968854	Tubing, 3/8 in. I.D., size #2 clamp.....	1
14	243770	Y.....	1
15	968017	Tubing, 3/4 in. I.D., size #10 clamp.....	1
16	943701	Valve.....	2
17	943700	Disconnect - Quick.....	1
	246800	#2 Clamp.....	1
	246802	#6 Clamp.....	1
	246808	#10 Clamp.....	1

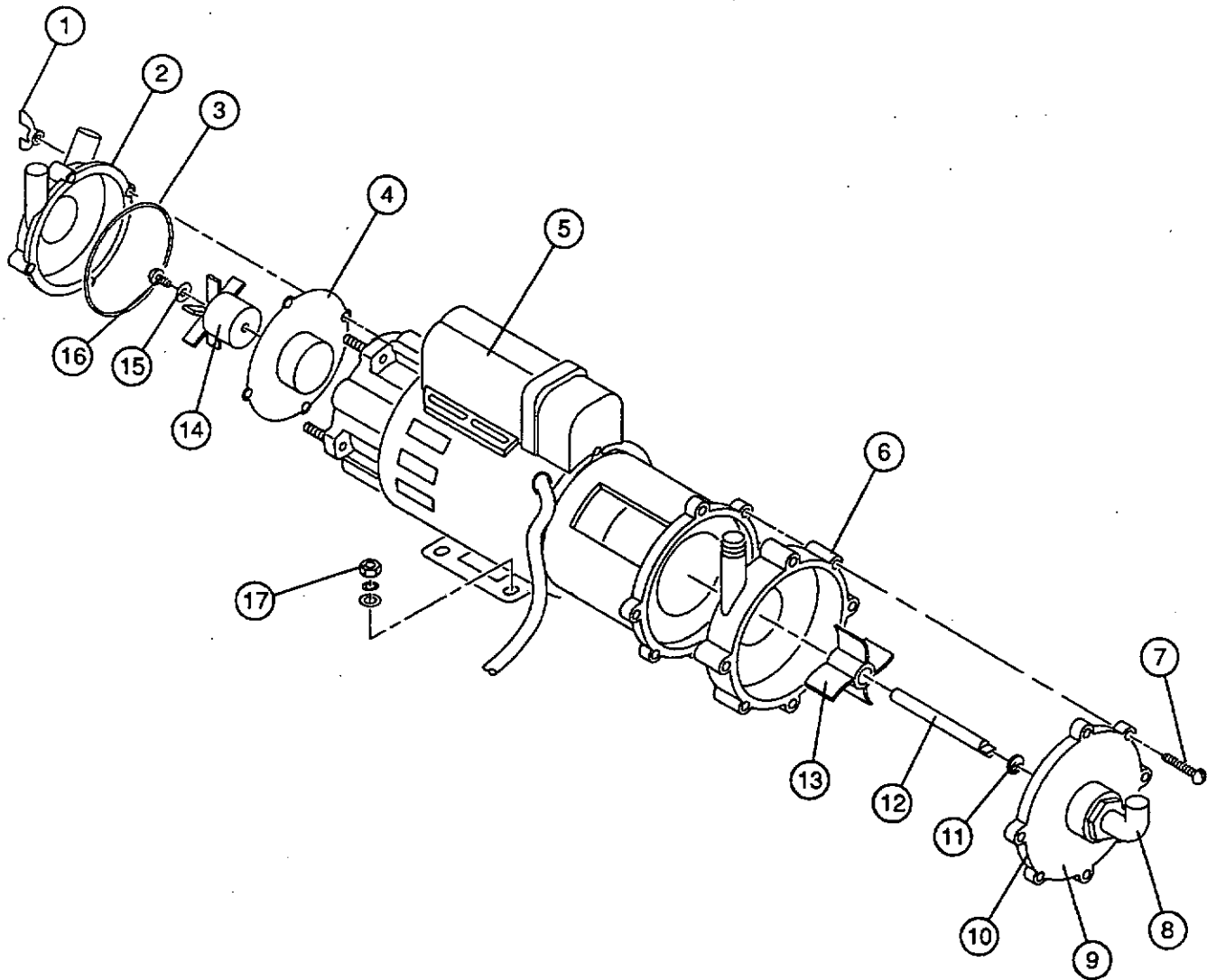
Figure 6-3 Wash Circulation Plumbing Diagram
Order by Part Number



H136_2720DCB
H136_2720DA

Item	Part No.	Description	Qty.
1	532033	Adapter.....	1
2	607793	Locator.....	1
3	607748	Thermowell.....	1
4	696164	Heater, HR2.....	1
5	246808	Clamp - Hose, wide band size 10, range .500 - 1.125, width .562.....	1
6	852776	Screw, 10-32 x 3/8 in.....	1
	853004	Washer - Lock.....	2
	852799	Washer.....	2
7	968023	Thermostat - Over-temperature, S2.....	2
8	968022	Thermistor, RT1.....	1
			1

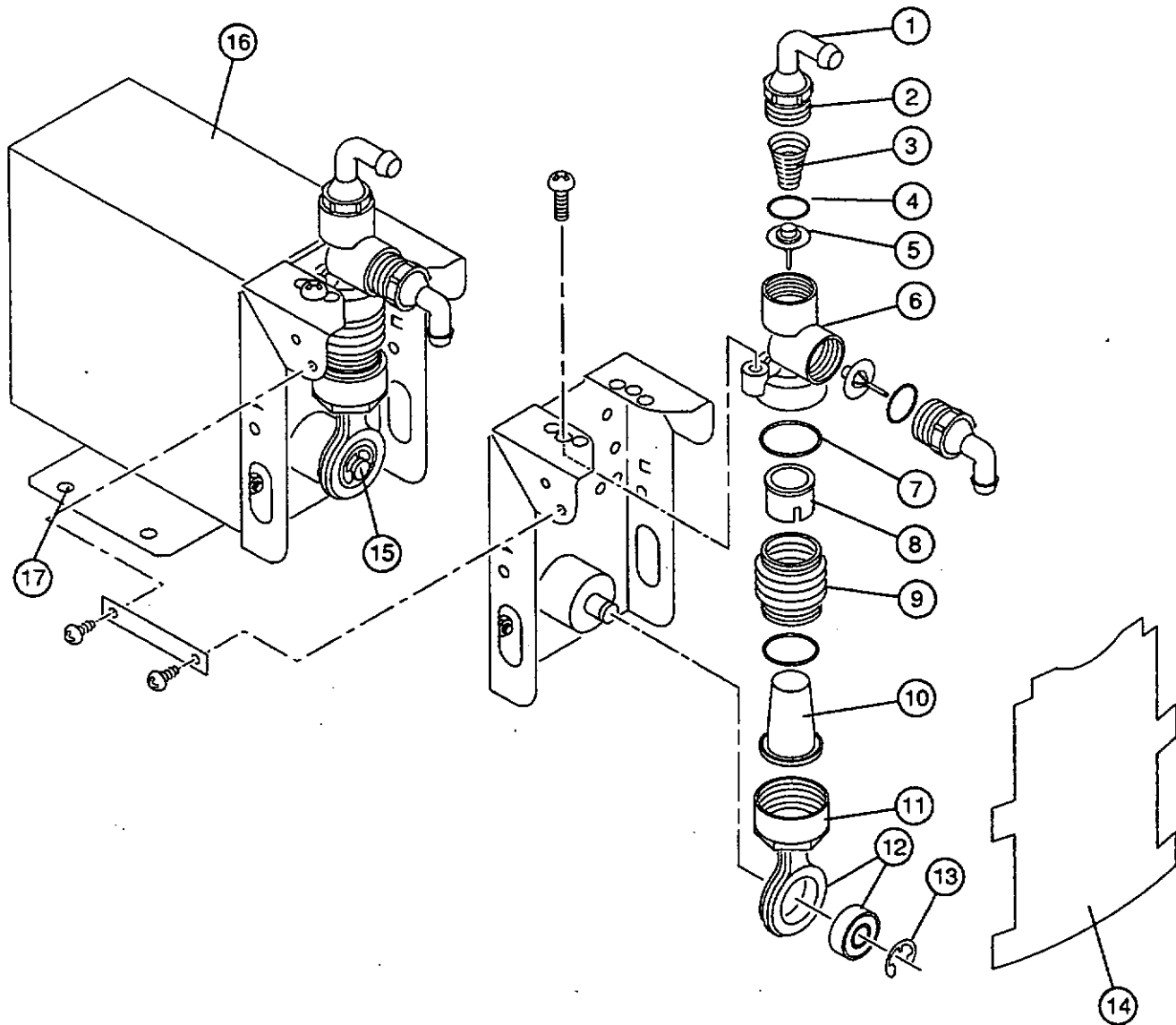
Figure 6-4 Developer Thermowell Assembly
Order by Part Number



H136_2703DCB
H136_2703DA

Figure 6-5. Recirculation Pump Assembly - 955849
Order by Part Number

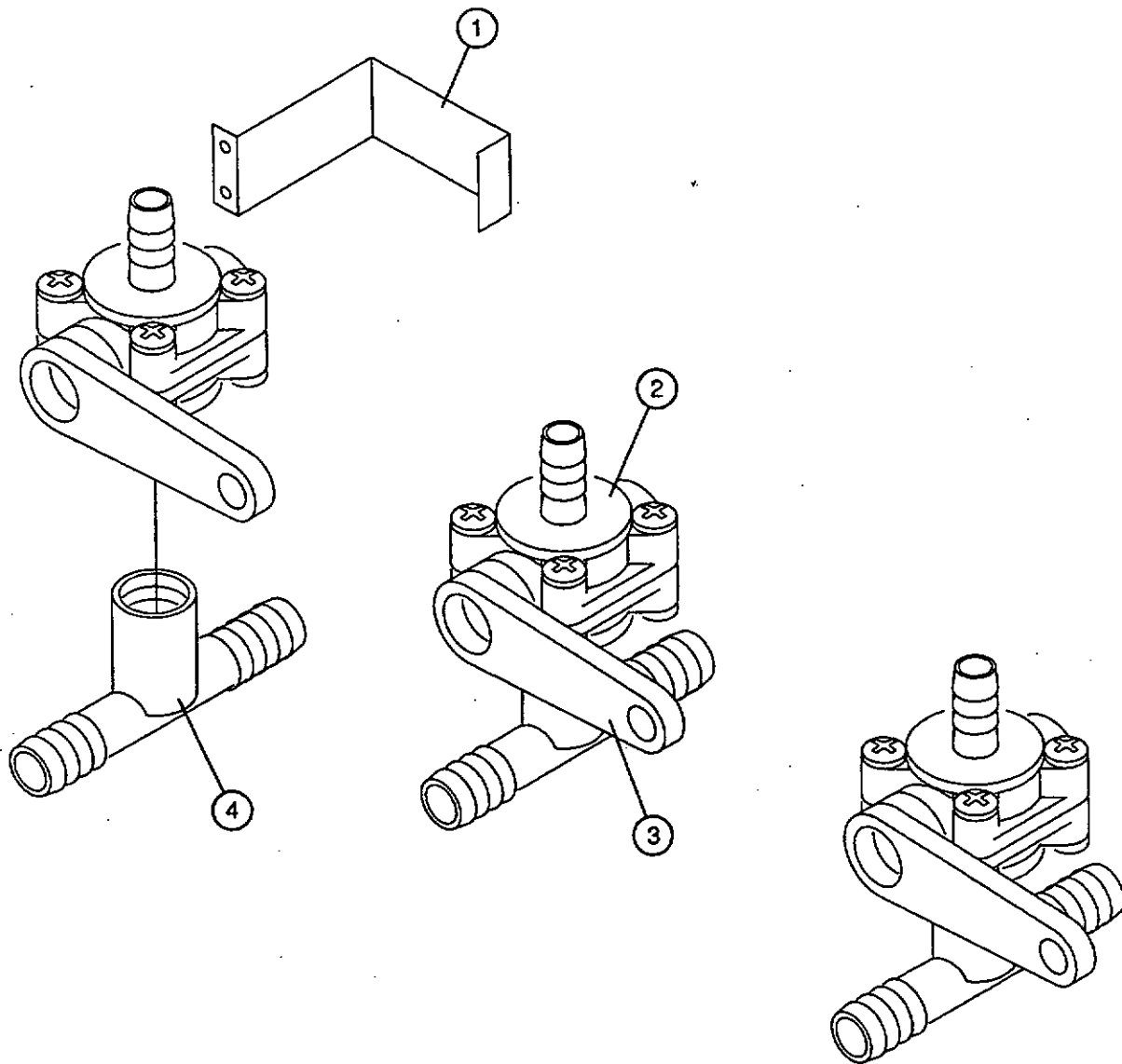
Item	Part No.	Description	Qty.	Notes
1	144097	Nut - Wing.....	8	Not Shown
2	472605	Housing, left hand.....	1	
3	463363	O-Ring.....	1	
4	418700	Housing - Inner.....	1	
5	955849	Recirculation Pump Assembly, B3.....	1	
6	520373	Housing - Pump.....	1	
7	520370	Screw.....	6	
8	478510	Fitting.....	1	
9	520367	Housing, outer.....	1	
10	463363	O-Ring.....	1	
11	473954	Washer - Thrust.....	1	
12	473955	Spindle.....	1	
13	520369	Impeller and Magnet Assembly.....	1	
14	474362	Impeller.....	1	
15	493505	Washer.....	1	
16	852946	Screw, 8-32 x 1/4, sst 316.....	1	
17	852622	Nut.....	4	
	853004	Washer - Lock.....	4	
	852799	Washer.....	4	



H136_2704DCB
H136_2704DA

Figure 6-6 Replenishment Pump Assembly - 968385 (M6X/M6B)
Order by Part Number

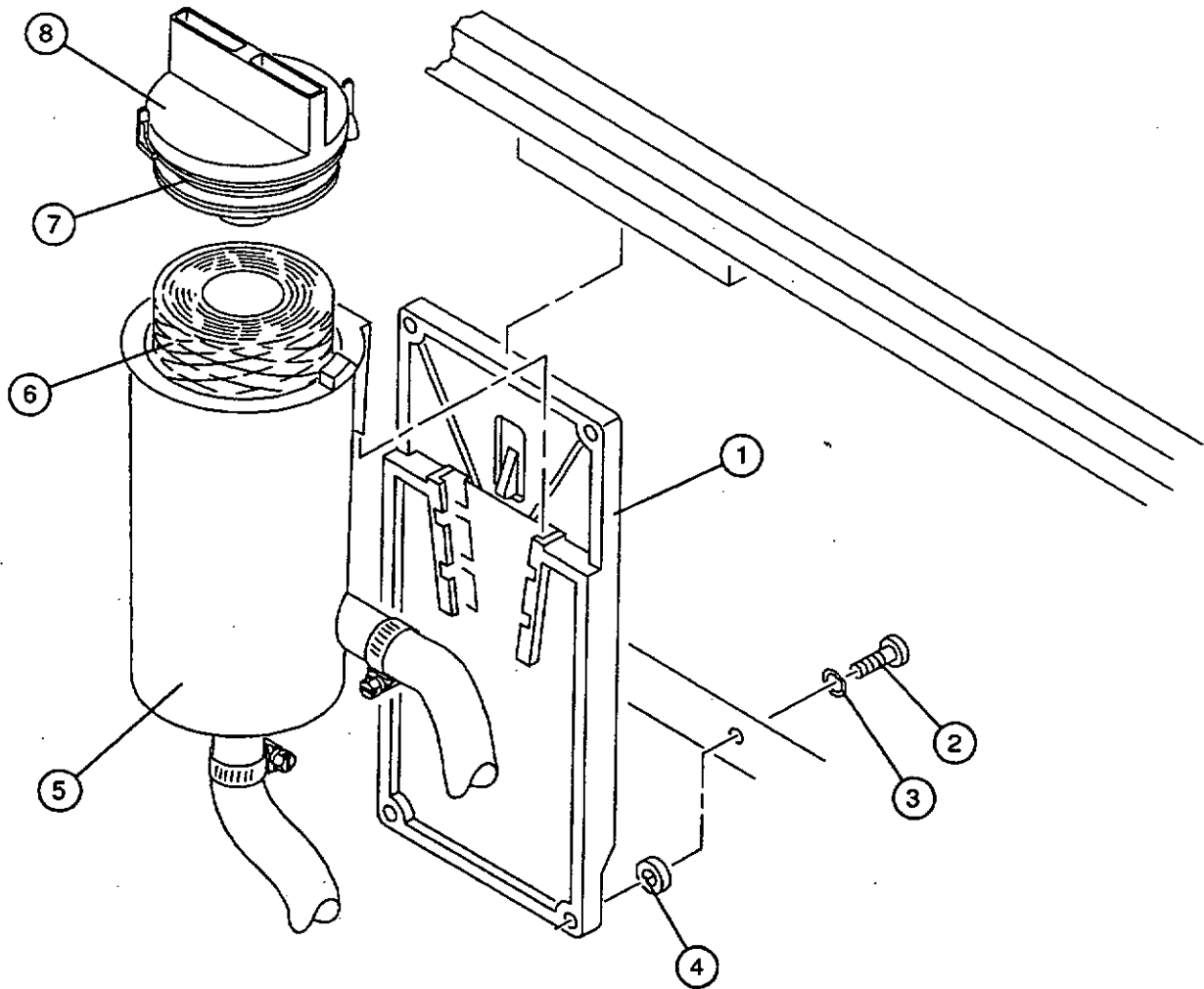
Item	Part No.	Description	Qty.
1	520390	Elbow.....	
2	520391	Nut.....	2
3	914807	Spring, as necessary.....	2
4	520388	O-Ring.....	1
5	520389	Valve Assembly.....	2
6	532007	Body - Valve.....	2
7	535639	O-Ring.....	1
8	418739	Guide.....	2
9	532008	Bellows, 1-1/2 in.....	1
	520396	Bellows, 1-in.....	1
10	594838	Cup - Displacement, 1-1/2 in.....	1
	418740	Cup - Displacement, 1-in.....	1
11	246001	Nut - Coupling.....	1
12	594837	Connecting Rod and Bearing Assembly.....	1
13	914801	E-Ring.....	1
14	520397	Guard.....	1
15	914809	Crank.....	1
16	990150	Replenishment Pump Assembly, B4..... <i>B2000</i>	1
17	852776	Screw, 10-32 x 3/8 in.....	1
	535004	Washer - Lock.....	4
	852799	Washer.....	4



H136_2717DCA
H136_2717DA

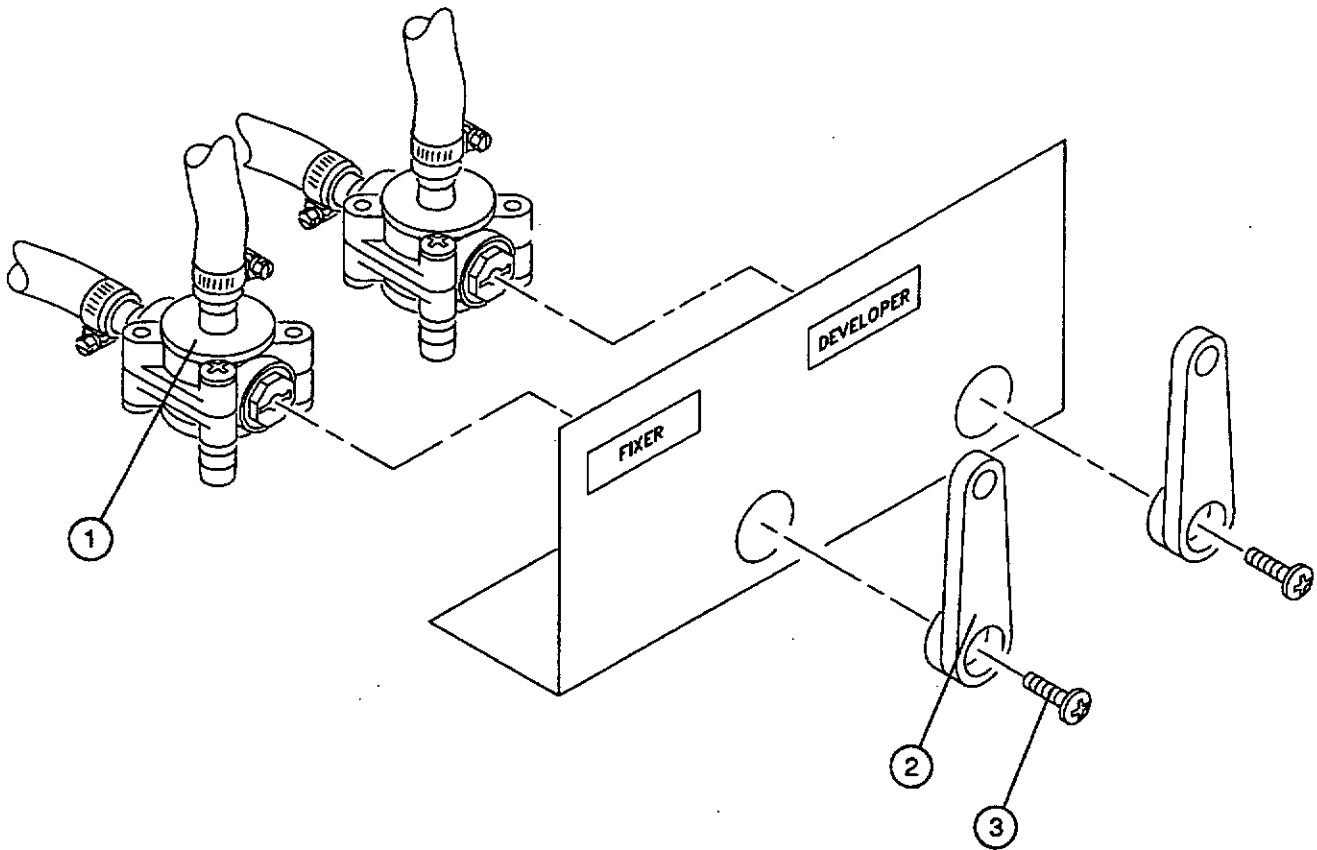
Item	Part No.	Description	Qty.
1	990269	Clamp	3
	523016	#6 Nut	6
	187213	Washer - Lock.....	6
	852831	Washer.....	6
2	240819	Drain Valve Assembly, includes handle	3
3	463314	Handle	3
4	748585	Tee	3

Figure 6-7 Drain Valve Assemblies
Order by Part Number



H108_0242DCA
H108_0242DA

Item	Part No.	Description	Qty.
1	246746	Bracket	1
2	852682	Screw, 8-32 x 3/8 in., sst 316	4
3	853100	Washer - Lock.....	4
3	852611	Washer	4
4	943208	Spacer.....	2
5	261391	Canister - Developer filter	1
6	562790	Cartridge - Filter.....	1
7	562485	O-Ring.....	1
8	562553	Cap - Filter, includes O-Ring 562485.....	1

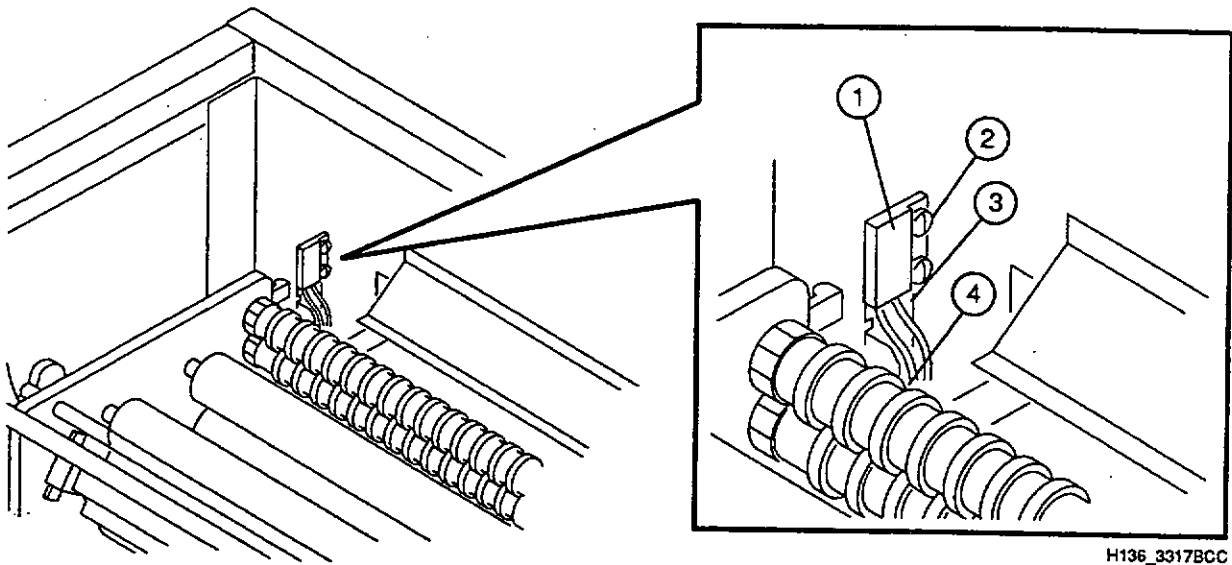


H136_2714DCA
H136_2714DA

Item	Part No.	Description	Qty.	Notes
1	240888	Valve - Replenishment check	2	
	911642	Bracket	1	Not Shown
	852622	Nut	4	Not Shown
	535004	Washer - Lock	4	Not Shown
	852799	Washer	4	Not Shown
	2	463314	Handle	2
3		Screw, 10-24 x 3/4 in., purchase locally	2	
	479821	Cylinder - Graduated	1	Not Shown

Figure 6-9 Replenishment Control Assembly
Order by Part Number

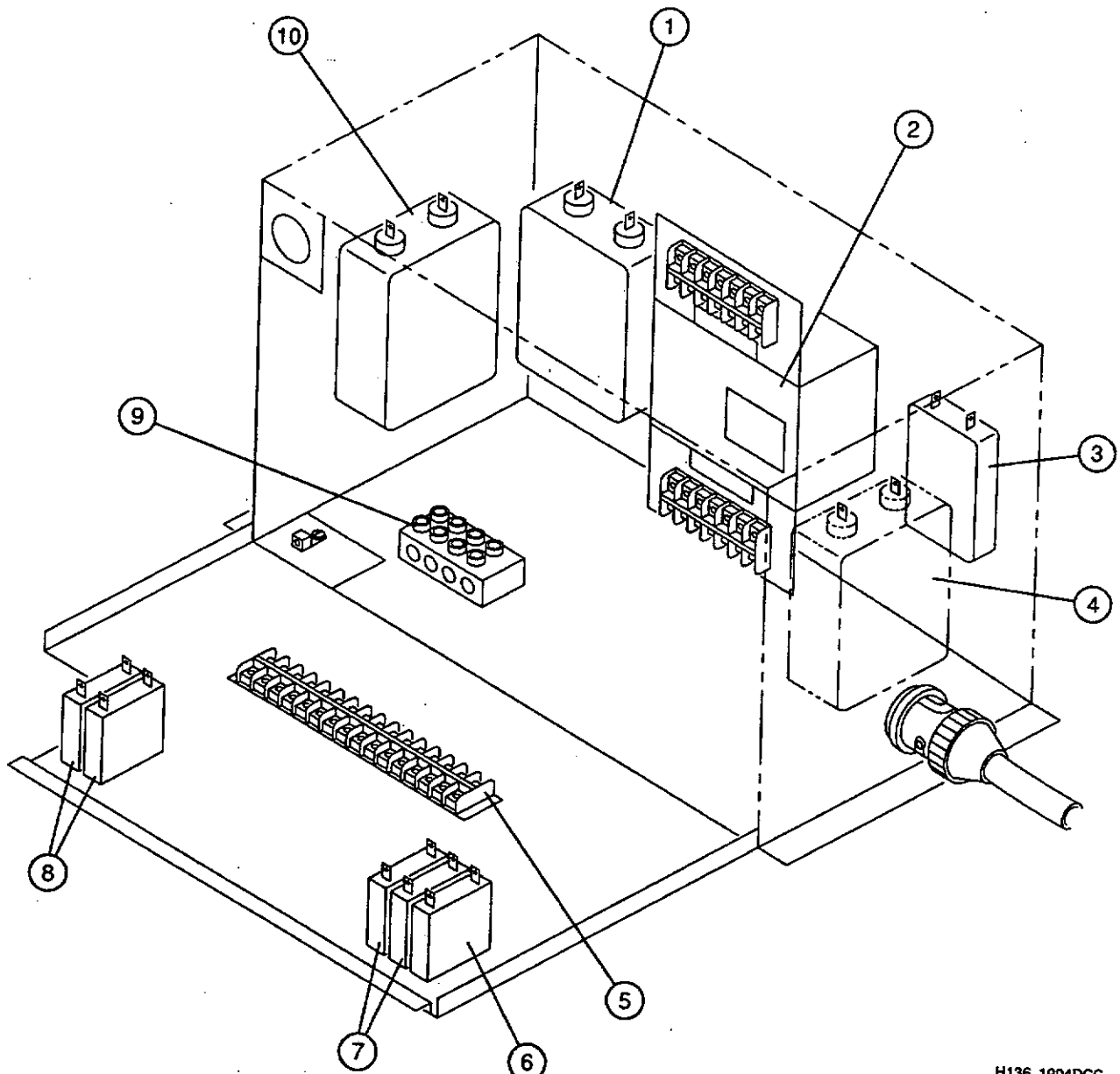
SECTION 7
Electrical



H136_3317BCC
H136_3317BA

Item	Part No.	Description	Qty.
1	240109	Switch - Detector, S3 and S4.....	2
2	535561	Screw, 4-40 x 3/8 in.....	4
	187283	Washer - Lock.....	4
	575822	Washer.....	4
	288235	Plate.....	4
3	981862	Bracket.....	2
4	852776	Screw, 10-32 x 3/8 in.....	4
	535004	Washer - Lock.....	4
	852799	Washer.....	4

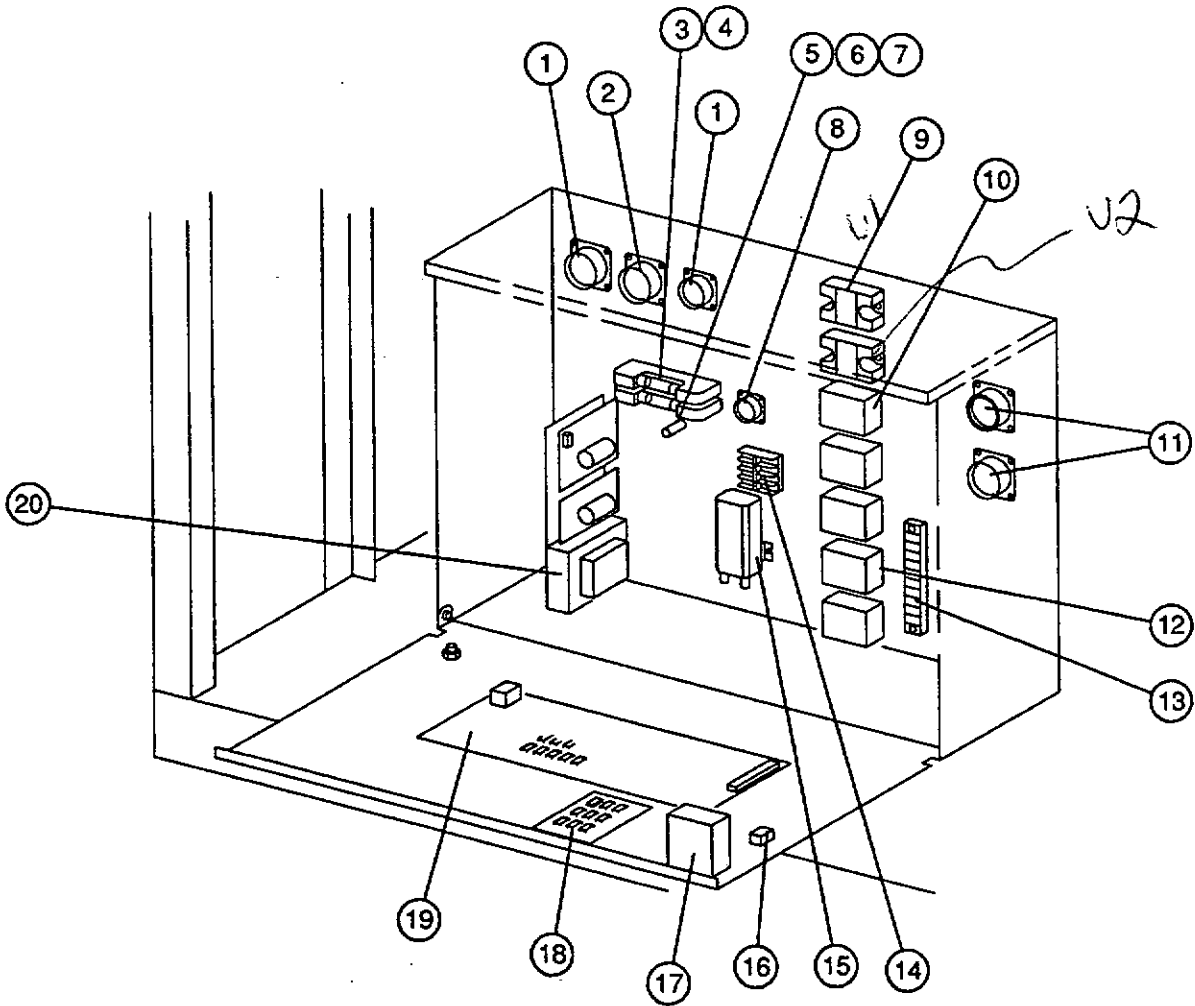
Figure 7-1 Detector Switches
Order by Part Number



H136_1904DCC
H136_1904DA

Item	Part No.	Description	Qty.
1	968900	Filter - EMI, FL2.....	1
2	918801	Transformer, T1.....	1
3	968901	Filter, FL3.....	1
4	781230	Filter, FL4.....	1
5	968909	Terminal, TB2.....	1
6	914445	Breaker - Circuit, CB3.....	1
7	968914	Breaker - Circuit, CB2.....	1
8	968913	Breaker - Circuit, CB1.....	1
9	968908	Terminal, TB1.....	1
10	337284	Filter, FL1.....	1

Figure 7-2 Transformer Box
Order by Part Number

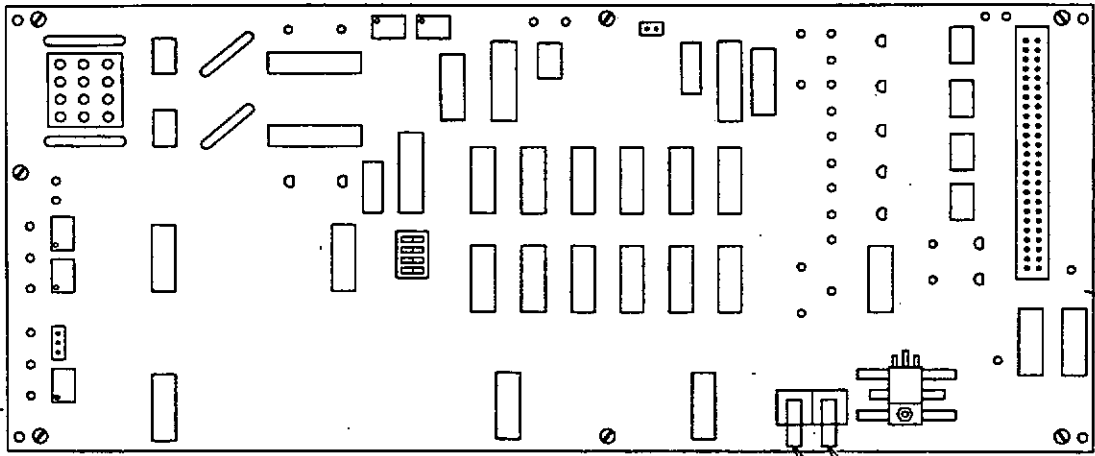


H136_1900DCB
H136_19000A

Figure 7-3 Electrical Box
Order by Part Number

Item	Part No.	Description	Qty.
1	493276	Connector, J2 and J4	2
2	911402	Connector, J3.....	1
3	264405	Holder - Fuse, F2 and F3.....	2
4	264407	Fuse, 2 Amp, F2 and F3	2
5	477506	Carrier, F1.....	1
6	498607	Holder - Fuse, F1.....	1
7	177544	Fuse, 1 Amp, F1	1
8	911404	Connector, J5.....	1
9	655290	Relay - Solid state, U1 and U2 ..	2
10	968906	Relay, K1, K2, K3, K5.....	4
11	563378	Connector, J6, J7.....	1
12	981744	Relay - Interlock, K4	1
13	595595	Strip - Terminal, DC, TB4.....	1
14	243572	Strip - Terminal, AC, TB3.....	1
15	981743	Relay - Time delay, K6	1
16	480059	Switch, S6.....	1
17	652486	Counter - Film, M1.....	1
18	981834	200 Circuit Board Assembly	1
19	981849	100 Circuit Board Assembly	1
20	981741	Power Supply, A5	1

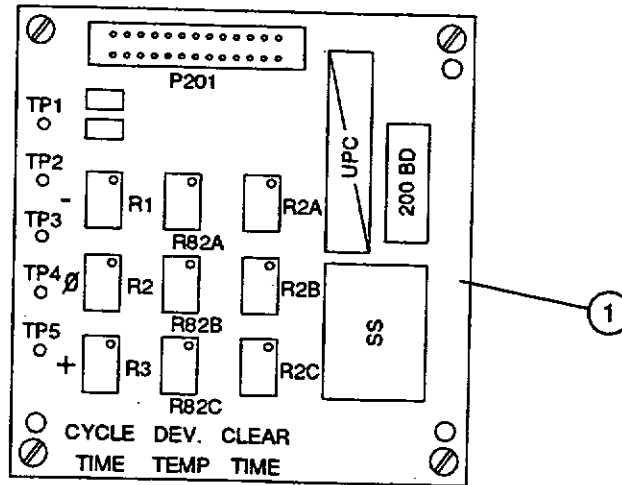
Figure 7-3 Electrical Box
Order by Part Number



H136_1701BCI
H136_1701BA

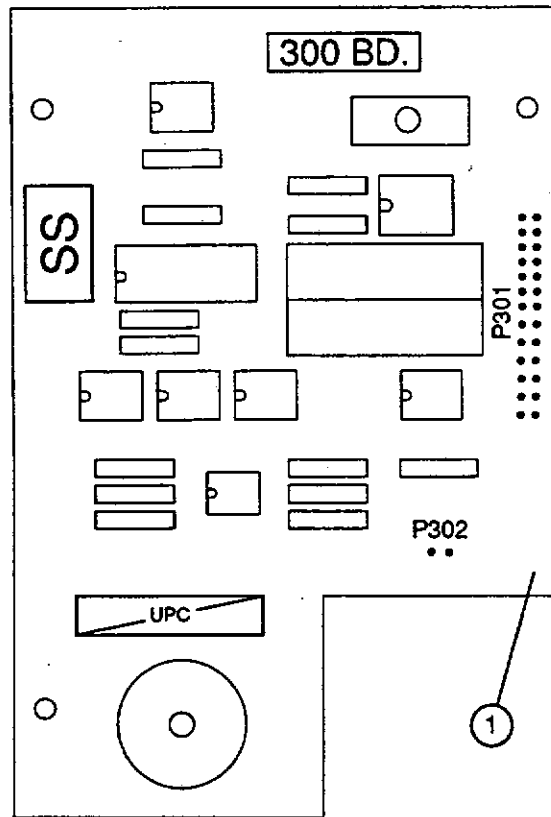
Item	Part No.	Description	Qty.
1	981849	100 Circuit Board Assembly	1

Figure 7-4 100 Circuit Board Assembly
Order by Part Number



H136_1700BCB
H136_1700BA

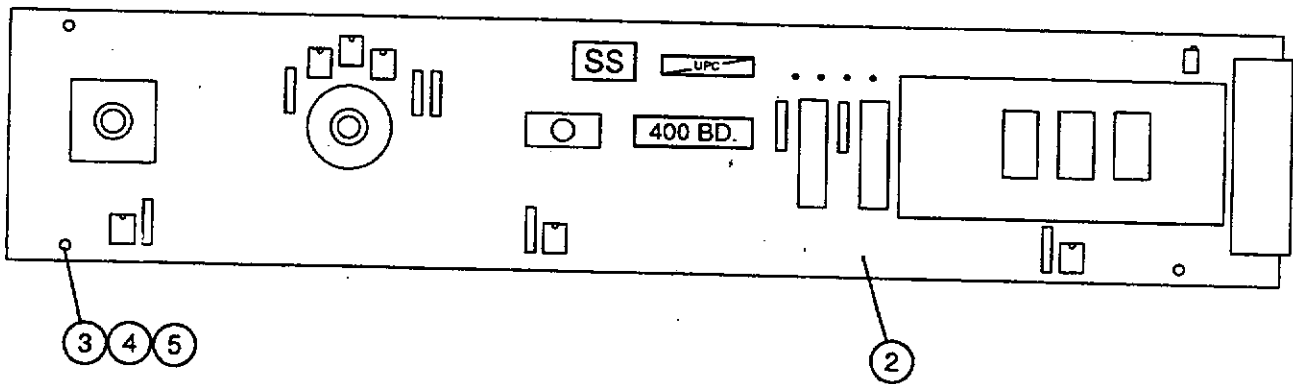
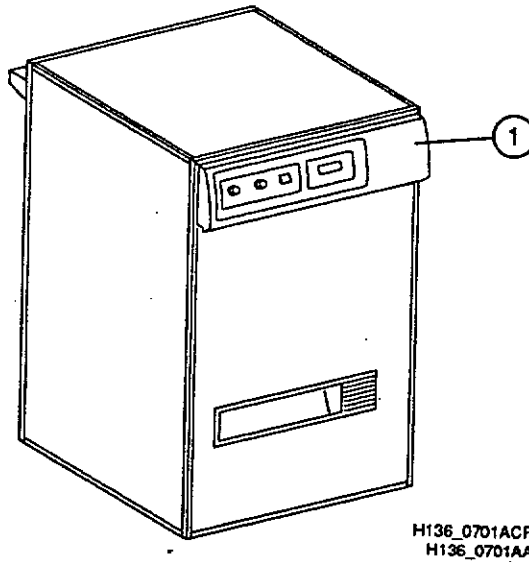
Item	Part No.	Description	Qty.
1	981834	200 Circuit Board Assembly	1



H136_1703CCC
H136_1703CA

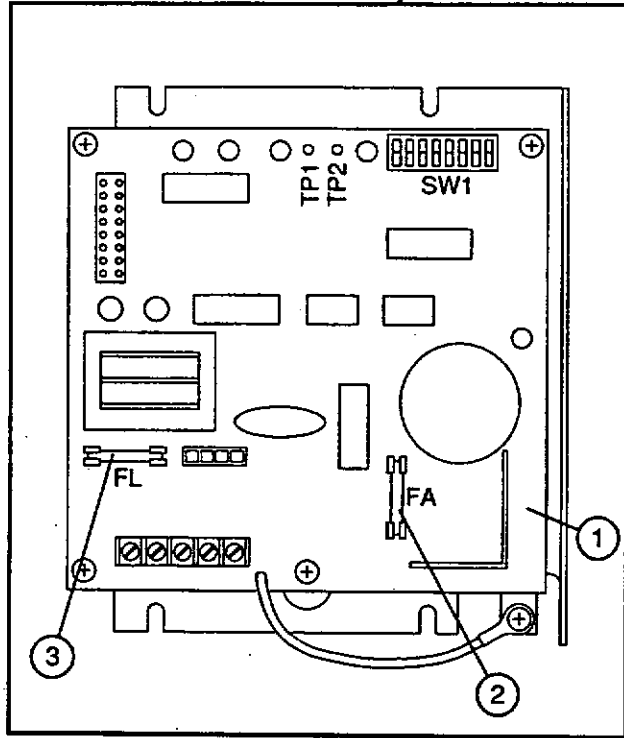
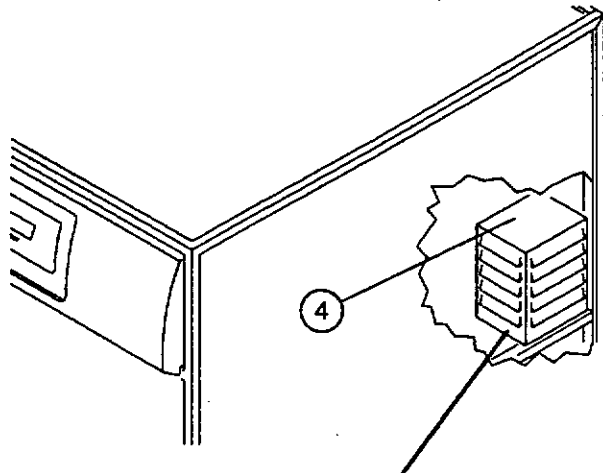
Item	Part No.	Description	Qty.
1	981842	300 Circuit Board Assembly	1

Figure 7-6 300 Circuit Board Assembly
Order by Part Number



Item	Part No.	Description	Qty.	Notes
1	699886	Bezel, receiving-end control panel	1	
2	981841	400 Circuit Board Assembly	1	
3	981471	Clip	5	
4	852772	Screw, 6-32	5	
5	852831	Washer	5	
	852776	Screw, 10-32 x 3/8 in.....	2	Circuit Board to Bezel, not shown
	168424	Washer - Lock.....	5	
	852774	Screw, 6-32 x 1/4 in.....	7	Circuit Board to Plate, not shown
	852621	#8 Nut.....	3	
	539180	Washer - Lock.....	3	

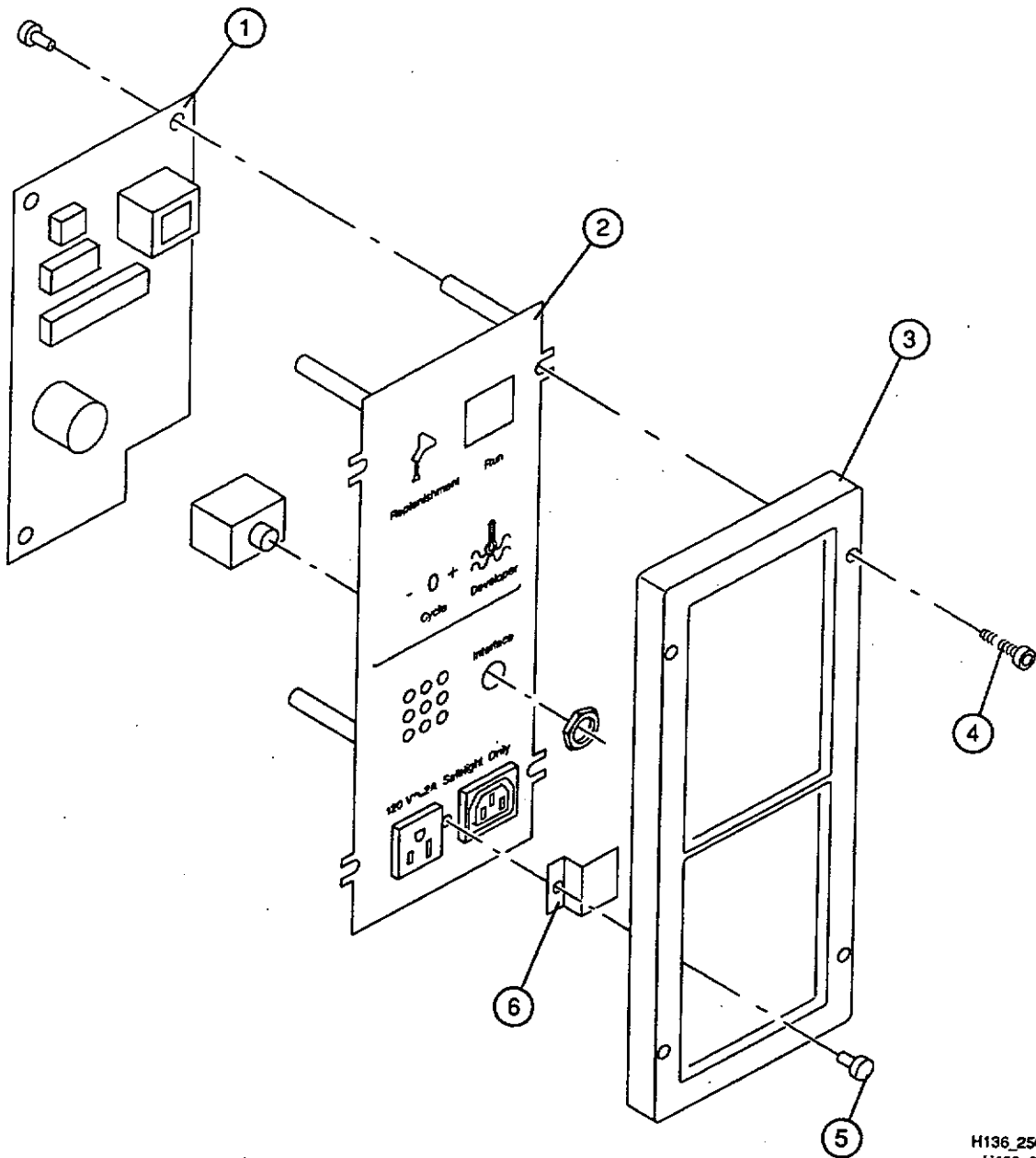
Figure 7-7 400 Circuit Board Assembly
Order by Part Number



H136_1702CCB
H136_1702CA

Item	Part No.	Description	Qty.	Notes
1	968903	Drive Motor Speed Control Assembly, A6.....	1	Not Shown Not Shown
	852682	Screw, 8-32 x 3/8 in., sst 316	4	
	852100	Washer - Lock.....	4	
	852611	Washer.....	4	
2	734270	Fuse, 0.5A, 5x20, FA.....	1	
3	330377	Fuse, 5A, 5x20, FL	1	
4	963995	Cover.....	1	
	852776	Screw, 10-32 x 3/8 in.....	4	
	535004	Washer - Lock.....	4	
	852799	Washer.....	4	
	616164	Relief - Strain.....	1	
	943389	Relief - Strain.....	1	

Figure 7-8 Drive Motor Speed Control Assembly
Order by Part Number



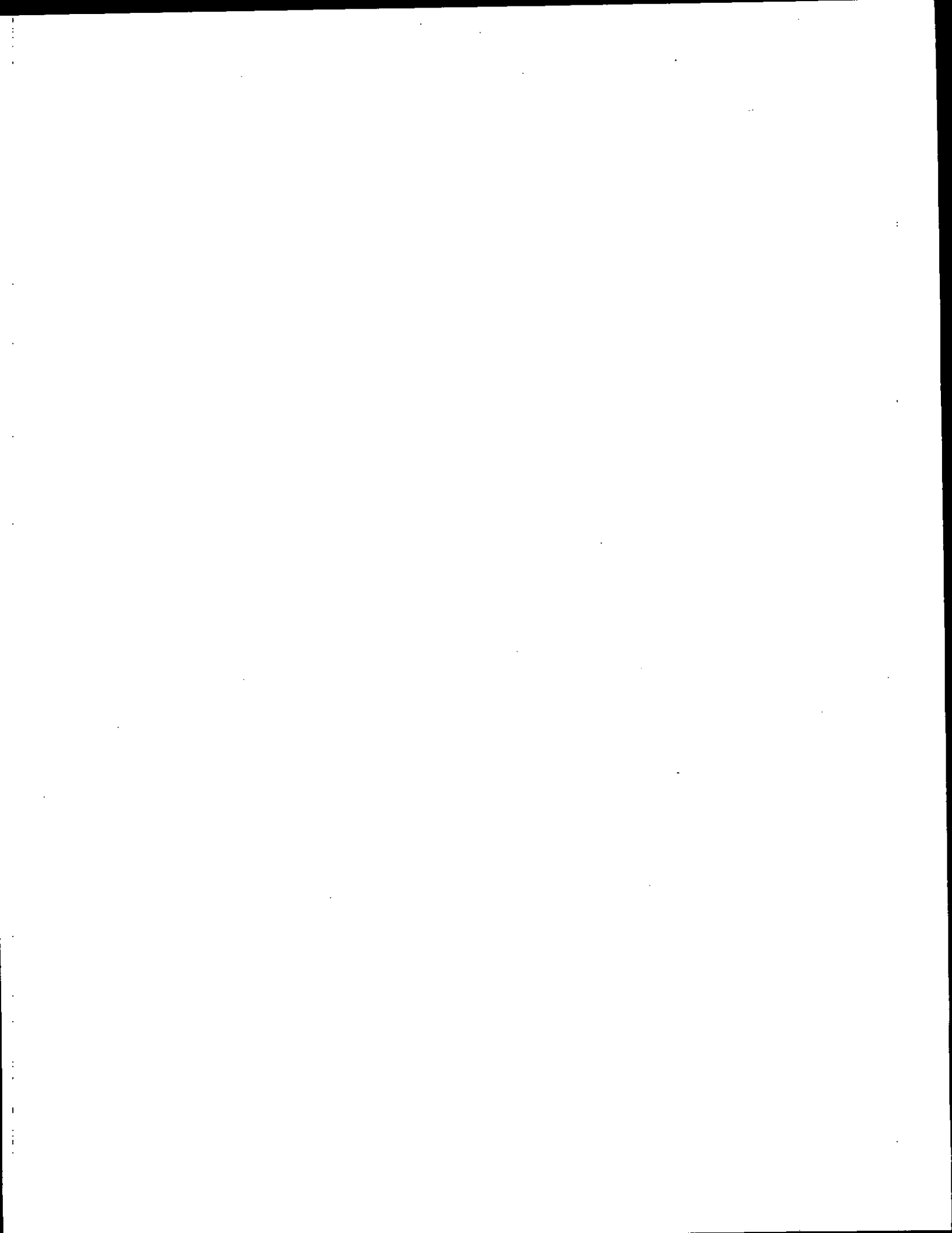
H136_2502DCA
H136_2502DA

Item	Part No.	Description	Qty.
1	981842	300 Circuit Board Assembly	1
	852523	Screw, 8-32 x 1/4 in.....	4
2	981856	Support Plate Mask Assembly.....	1
3	699887	Bezel, feed-end control panel.....	1
4	154273	Screw - Cap, 8-32 x 3/4	4
5	133457	Screw, 8-32 x 1/4 in.....	1
	853100	Washer - Lock.....	1
6	981852	Cover - Receptacle	1

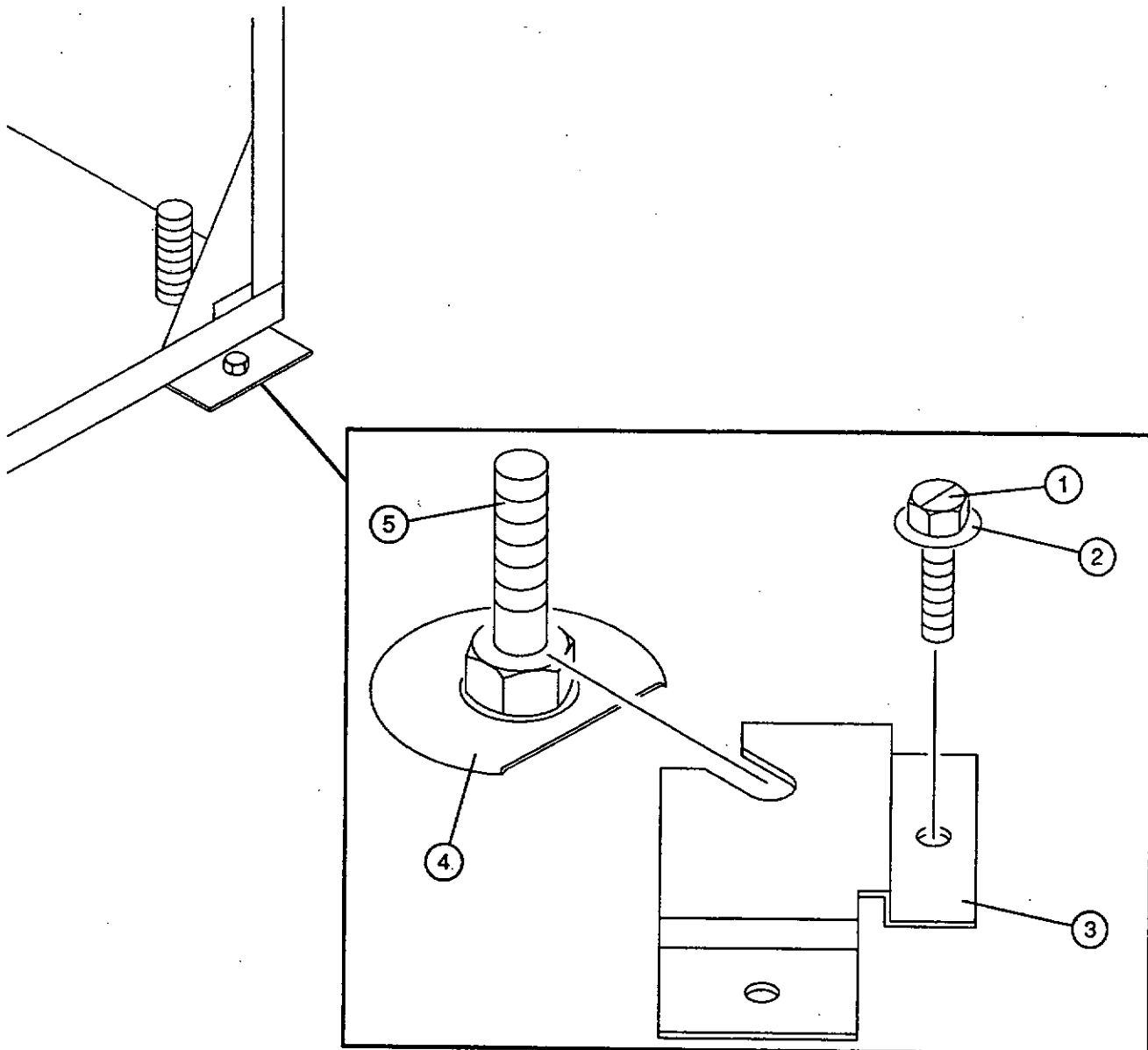
Figure 7-9 Feed-End Control Panel
Order by Part Number

BLANK PAGE

<u>Qty</u>	<u>P/N</u>	<u>Description</u>
1	968889	Harness-x-former to e-box (P1/J2)
1	968894	Harness--Receiving end, AC (P4--J12, J13, J14)
1	968897	Harness--Feed End AC (P3-J9, J26, J10, J11)
1	981567	Harness-receiving End, DC--(P7-J401, J25)
1	981576	Harness-DC (P6-J17, J18,J19,S7,S8)
1	981583	Harness--solenoids (P5--L1,L2)
	981586	Harness--Feed Panel (J301, J21, P19)
	981593	Harness--detector switches (P21,J22,J23)



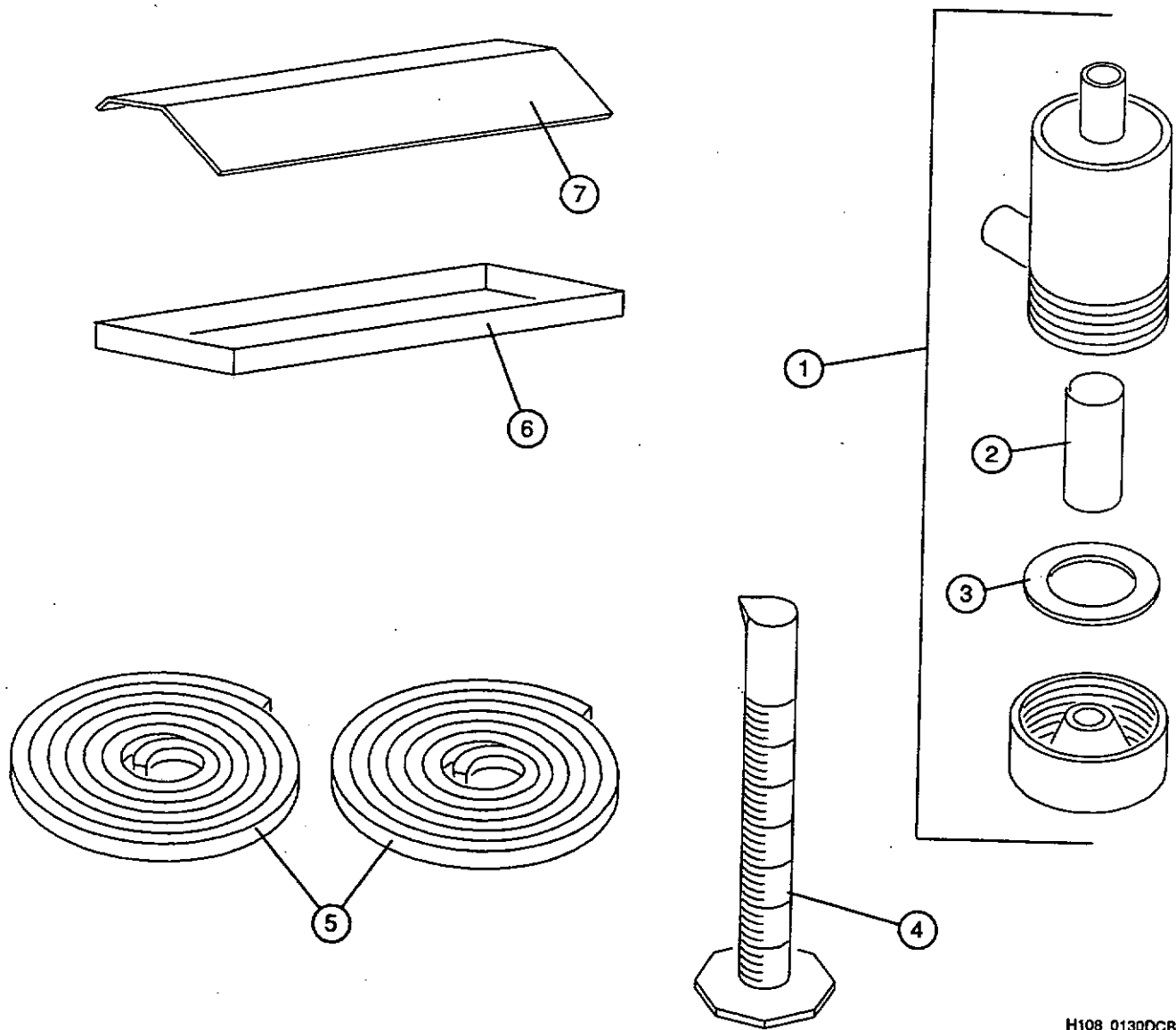
SECTION 8
Miscellaneous



H136_0413DCB
H136_0413DA

Item	Part No.	Description	Qty.	Notes
1	188623	Bolt	8	
2	173824	Washer	8	
3	288574	Bracket - Seismic	4	
	261929	Anchor		Not Shown
4	261898	Cup - Floor	4	
	452991	Plate - Floor	4	Not Shown
5	981865	Screw - Leveling, 1/2-13 x 3.5 in., sst 316	4	
	779133	Seismic Kit, complete	1	

Figure 8-1 Leveling Screw/Seismic Brackets
Order by Part Number



H108_0130DCB
P108_0130DA

Item	Part No.	Description	Qty.
1	472261	Strainer Assembly, complete	1
2	457995	Screen	1
3	613114	Gasket	1
4	479821	Cylinder - Graduated	1
5	454749	Gasket - Lighttight, 18-ft roll	1
6	453009	Tray - Drip	1
7	453055	Guard - Splash	1

BLANK PAGE

SECTION 9
Numerical Index

Part Number	Description	Figure Number
133457	Screw, 8-32 x 1/4 in.....	7-9
144097	Nut - Wing.....	2-3, 6-5
154273	Screw - Cap, 8-32 x 3/4.....	7-9
166326	Ring - Retaining.....	4-4
168424	Washer - Lock.....	4-2, 7-7
173824	Washer.....	8-1
175121	Washer.....	3-3
177544	Fuse, 1 Amp, F1.....	7-3
186441	Tee.....	6-1, 6-2, 6-3
187213	Washer - Lock.....	2-2, 6-7
187283	Washer - Lock.....	3-3, 7-1
188623	Bolt.....	8-1
202888	Receptacle.....	2-1
240109	Switch - Detector, S3 and S4.....	7-1
240235	Bin.....	2-1
240567	Spring.....	4-4
240819	Drain Valve Assembly, includes handle.....	6-1, 6-2, 6-3, 6-7
240888	Valve - Replenishment check.....	6-1, 6-2, 6-9
243572	Strip - Terminal, AC, TB3.....	7-3
243770	Y.....	6-3
246001	Nut - Coupling.....	6-6
246746	Bracket.....	6-8
246800	#2 Clamp.....	6-1, 6-2, 6-3
246802	#6 Clamp.....	6-1, 6-2, 6-3
246808	#10 Clamp.....	6-1, 6-2, 6-3
246808	Clamp - Hose, wide band size 10, range .500 - 1.125, width .562.....	6-4
261391	Canister - Developer filter.....	6-1, 6-8
261619	Screw, includes washer.....	2-1
261898	Cup - Floor.....	8-1
261929	Anchor.....	8-1
264405	Holder - Fuse, F2 and F3.....	7-3
264407	Fuse, 2 Amp, F2 and F3.....	7-3
286948	Drive Roller Assembly.....	3-1, 5-1
286949	Dryer Roller Assembly.....	3-1, 5-1
288235	Plate.....	7-1
288574	Bracket - Seismic.....	8-1
289783	Pulley.....	4-4
315594	Switch - Interlock.....	2-1, 5-2
330377	Fuse, 5A, 5x20, FL.....	7-8
337284	Filter, FL1.....	7-2
418700	Housing - Inner.....	6-5
418739	Guide.....	6-6
418740	Cup - Displacement, 1-in.....	6-6
452001	Rod.....	3-3, 3-10, 3-11
452003	Spacer - Nut, short.....	3-3
452005	Shaft.....	3-10
452017	Spacer - Nut, long.....	3-3

Part Number	Description	Figure Number
452023	Gear.....	3-3, 3-4, 3-7, 3-10, 3-11
452028	Key.....	3-3, 3-10, 3-11
452033	Rod.....	3-8, 3-9
452034	Nut.....	3-8, 3-9
452035	Nut.....	3-8, 3-9
452038	Shaft.....	3-8, 3-9
452041	Washer.....	3-8, 3-9
452044	Key.....	3-4, 3-6, 3-7, 3-8, 3-9
452089	Bearing.....	3-4, 3-6
452090	Bar.....	3-4, 3-6, 3-7
452095	Tube - Distributor.....	3-4, 3-6
452096	Rod.....	3-4
452100	Stud.....	3-3, 3-8, 3-9, 3-10, 3-11
452101	Nut, nylon, 5/16-24.....	3-3, 3-5, 3-8, 3-9, 3-10, 3-11
452105	Rod - Spacer.....	3-4, 3-6, 3-7
452109	Key.....	3-4, 3-6, 3-7
452111	Chain.....	3-4, 3-6, 3-7, 3-8, 3-9
452112	Stud.....	3-5, 3-6, 3-7
452113	Pulley.....	3-7
452114	Screw - Spacer.....	3-8, 3-9
452188	Bearing.....	3-4, 3-6, 3-7
452212	Bearing.....	3-3, 3-8, 3-9, 3-10
452213	Rod.....	3-10
452214	Shoe - Guide.....	3-11
452215	Bearing.....	3-3, 3-10
452216	Rod.....	3-8, 3-9
452217	Bearing.....	3-8, 3-9, 3-11
452901	Roller - Cluster.....	3-1, 3-3, 3-8, 3-9, 3-10, 3-11
452931	Roller - Cluster, idler.....	3-1, 3-3, 3-11
452990	Tube - Replenishment check, 3/8 in. x 6 in. bulk.....	6-1, 6-2
452991	Plate - Floor.....	8-1
453009	Tray - Drip.....	8-2
453055	Guard - Splash.....	8-2
453180	Plate - Side.....	3-8, 3-9
454027	Film Guide Assembly.....	2-3
454032	Rod - Tie.....	3-4, 3-6, 3-7
454423	Rod - Tie.....	3-3
454433	Roller - Master.....	3-1, 3-3, 3-8, 3-9, 3-10, 3-11
454436	Worm.....	4-1
454446	Collar.....	4-1, 4-3
454451	Sprocket.....	4-1

Part Number	Description	Figure Number
454453	Sprocket, 19 tooth	4-2
454454	Sprocket, 20 tooth	4-3
454462	Bearing	4-1, 4-3
454477	Gear - Worm	4-3
454478	Shaft	4-3
454543	O-Ring	5-1
454552	Pulley	4-3
454554	Sleeve	4-3
454687	Shoe - Guide	3-3, 3-8, 3-9, 3-10
454749	Gasket - Lighttight, 18-ft roll	8-2
455760	Retainer	3-3, 3-8, 3-9, 3-10, 3-11
455775	Shaft	3-4, 3-5, 3-6
455776	Washer	3-4, 3-6
455777	Spacer	3-6
455929	Shelf - Feed, complete	2-3
456162	Shaft	5-1
456191	Support - Rack, drive side	4-1
456931	Support	4-1
457069	Nut	3-4, 3-6, 3-7
457100	Collar	3-7
457109	Collar	3-4, 3-6
457253	Gasket, order by the foot	2-4
457995	Screen	8-2
458206	Oiler	4-1
458606	Nut	3-10, 3-11
458869	Gear - Idler	3-3, 3-11
458901	Pulley	5-1
458923	Plate - Side	3-4, 3-6
458956	Belt - Dryer drive	4-3, 4-4
459240	Gear	3-4, 3-6, 3-7
459346	Spacer	3-5
459379	Roller	5-1
459635	Flange	3-7
459638	Stud	3-7
459699	Support - Rack, idle side	4-1
462581	Sleeve Assembly	3-7
462593	Cover - Evaporation, developer	2-4
462933	Sleeve	3-7
462936	Buffer Roller Assembly	3-1, 3-7
462939	Gear	3-7
462941	Gear - Idler	3-7
462942	Bushing	3-7
462943	Gear	3-7
462944	Bushing	3-7
462950	Stud, buffer roller	3-7
463160	Support	3-3, 3-8, 3-9, 3-10, 3-11
463314	Handle	6-7, 6-9
463363	O-Ring	6-5
466671	Sprocket	3-4, 3-6, 3-7, 3-8, 3-9

Part Number	Description	Figure Number
467126	Plate - Rewet.....	3-5
467564	Gear.....	3-2
467887	Pulley.....	3-5, 3-6
470087	Roller - Rewet.....	3-1, 3-5
470119	Handle.....	2-1
470153	Handle - Cover.....	2-1
470507	Stud.....	3-5
470812	Roller - Sleeved.....	3-1
471649	Plate - Side, developer-fix.....	3-10
472261	Strainer Assembly, complete.....	8-2
472605	Housing, left hand.....	6-5
472755	Nut - Short.....	3-3, 3-11
472756	Nut - Long.....	3-3, 3-10
473954	Washer - Thrust.....	6-5
473955	Spindle.....	6-5
474362	Impeller.....	6-5
474777	Stud, snap-in.....	3-4, 3-6, 3-7
477506	Carrier, F1.....	7-3
478510	Fitting.....	6-5
479821	Cylinder - Graduated.....	6-9, 8-2
480059	Switch, S6.....	7-3
482310	Gear.....	4-3
489693	Roller.....	3-2
489695	Roller - Plain.....	3-1, 3-5, 3-6, 3-7
489700	Roller - Drive.....	3-1, 3-5
493276	Connector, J2 and J4.....	7-3
493422	Screw - Shoulder, 8-32.....	3-3
493505	Washer.....	6-5
498607	Holder - Fuse, F1.....	7-3
499753	Retainer.....	2-1
520367	Housing, outer.....	6-5
520369	Impeller and Magnet Assembly.....	6-5
520370	Screw.....	6-5
520373	Housing - Pump.....	6-5
520388	O-Ring.....	6-6
520389	Valve Assembly.....	6-6
520390	Elbow.....	6-6
520391	Nut.....	6-6
520396	Bellows, 1-in.....	6-6
520397	Guard.....	6-6
523016	#6 Nut.....	6-7
532007	Body - Valve.....	6-6
532008	Bellows, 1-1/2 in.....	6-6
532033	Adapter.....	6-4
535004	Washer - Lock.....	3-3, 4-4, 5-1, 6-6, 6-9, 7-1, 7-8, 3-11
535009	Washer - Lock.....	4-4
535010	Washer - Lock.....	4-2
535561	Screw, 4-40 x 3/8 in.....	2-1, 7-1
535639	O-Ring.....	6-6

Part Number	Description	Figure Number
539141	Orifice	6-2
539151	Orifice	6-3
539180	Washer - Lock	7-7
539198	Idler.....	3-2
541262	Screw, 1/4-20 x 2 in.....	4-4
562330	Roller - Idler.....	3-1, 3-11
562485	O-Ring	6-8
562553	Cap - Filter, includes O-Ring 562485	6-1, 6-8
562609	Spring	5-1
562670	Block	5-1
562790	Cartridge - Filter.....	6-1, 6-8
563378	Connector, J6, J7	7-3
571403	Developer-Fix Crossover Assembly	3-10
571405	Developer Rack Assembly	3-4
571408	Developer/Fixer Turnaround Assembly.....	3-8
575821	Screw, 4-40, sst 316	3-3
575822	Washer	3-3, 7-1
594795	Thermostat - Over-temperature.....	5-2
594837	Connecting Rod and Bearing Assembly	6-6
594838	Cup - Displacement, 1-1/2 in.....	6-6
594910	Housing.....	4-3
595595	Strip - Terminal, DC, TB4	7-3
607616	Fixer Rack Assembly.....	3-6
607748	Thermowell	6-1, 6-4
607793	Locator.....	6-4
607833	Sprocket.....	3-2
613114	Gasket	8-2
616164	Relief - Strain.....	7-8
650711	Bearing	3-5
650876	Magnet.....	3-3
651107	Ring	3-3
652486	Counter - Film, M1	7-3
655290	Relay - Solid state, U1 and U2.....	7-3
696164	Heater, HR2.....	6-4
699875	Cover - Top	2-1
699876	Panel - Access, side	2-1
699877	Panel - Access, receiving end	2-1
699878	Entrance Detector Assembly.....	3-3
699879	Fix-Wash Crossover Assembly	3-10
699880	Wash Rack Assembly	3-7
699881	Wash Turnaround Assembly.....	3-9
699882	Squeegee Assembly.....	3-11
699883	Panel - Access, lower	2-2
699884	Cap - Access.....	2-2
699885	Cover - Access.....	2-2
699886	Bezel, receiving-end control panel.....	2-1, 7-7
699887	Bezel, feed-end control panel	7-9
734270	Fuse, 0.5A, 5x20, FA	7-8
748585	Tee.....	6-1, 6-2, 6-3,
		6-7
748689	Arm	4-4
748690	Bracket - Spring.....	4-4
748957	Washer	4-1

Part Number	Description	Figure Number
779133	Seismic Kit, complete	8-1
779232	Tube - Air.....	3-1, 5-1
779727	Pulley	4-4
779749	Sleeve.....	4-4
781230	Filter, FL4	7-2
795846	Stud	4-4
852100	Washer - Lock	7-8
852391	Plug.....	2-2
852520	Bolt - Mounting	4-1, 4-2
852522	Screw, 8-32 x 3/8 in.....	2-1
852523	Screw, 8-32 x 1/4 in.....	7-9
852553	Setscrew, 8-32, sst 316	4-1, 4-3
852554	Setscrew, 10-32 x 1/4 in., sst 316	3-3, 3-4, 3-6, 3-7, 3-10
852555	Setscrew, 10-32 x 3/8 in., sst 316	3-7
852558	Setscrew, 10-32 x 1/4 in.	4-3
852559	Setscrew, 10-32 x 3/8 in.	4-2
852611	Washer	2-1, 3-3, 3-9, 5-1, 5-2, 6-8, 7-8, 3-10, 3-11
852614	Washer	3-7, 4-2
852621	#8 Nut.....	7-7
852622	Nut	5-2, 6-3, 6-5, 6-9
852630	Washer	2-3, 4-4
852658	Screw, 10-32 x 1/2 in.	4-1
852682	Screw, 8-32 x 3/8 in., sst 316.....	2-3, 3-3, 4-2, 5-2, 6-8, 7-8, 3-10, 3-11
852683	Screw, 10-32 x 3/8 in., sst 316.....	3-3, 3-8, 3-9, 3-11
852772	Screw, 6-32	7-7
852774	Screw, 6-32 x 1/4 in.	2-2, 7-7
852776	Screw, 10-32 x 3/8 in.	2-2, 2-4, 4-4, 5-1, 6-4, 6-6, 7-1, 7-7, 7-8
852797	Screw, 8-32, sst 316	3-4, 3-6
852798	Nut, 5/16-24, sst 316.....	3-4, 3-6, 3-7, 3-10, 3-11
852799	Washer	3-3, 3-4, 3-5, 3-6, 3-7, 4-2, 4-4, 5-1, 5-2, 6-3, 6-4, 6-5, 6-6, 6-9, 7-1, 7-8, 3-11
852800	Nut, 10-32, sst 316.....	3-5, 3-6, 3-7
852801	Nut, 3/8-24, sst 316.....	3-7
852802	Screw, 10-32, sst 316	2-1

Part Number	Description	Figure Number
852805	Screw, 10-32 x 1/2 in., sst 316.....	3-4, 3-6, 3-7, 4-3
852807	Screw, 8-32 x 1/2 in., sst 316.....	3-8, 3-9, 5-1, 3-10
852808	Screw, 8-32 x 1/2 in.....	2-1
852831	Washer.....	2-1, 2-2, 6-7, 7-7
852851	Setscrew, 8-32 x 3/4 in.....	5-1
852857	Setscrew, 8-32 x 1/4 in., sst 316.....	3-3, 3-8, 3-9, 3-10, 3-11
852862	Screw, 8-32 x 1/2 in.....	2-4, 5-1
852867	Screw, 1/4-20 x 3/8, sst 316.....	3-4, 3-6
852871	Screw - Motor mounting, 10-32.....	4-2
852873	Washer.....	2-1, 2-3
852888	Screw, 8-32.....	5-2
852889	Setscrew, 6-32, sst 316.....	4-2
852946	Screw, 8-32 x 1/4, sst 316.....	3-8, 3-9, 6-5, 3-10
853000	Pin.....	4-1, 4-3
853004	Washer - Lock.....	5-2, 6-3, 6-4, 6-5
853032	Pin.....	4-2
853084	Pin.....	4-3
853100	Washer - Lock.....	2-1, 2-3, 3-3, 5-1, 5-2, 6-8, 7-9, 3-10, 3-11
853136	Nut, 1/4-20, sst 316.....	3-7
853137	Screw, 8-32 x 3/8, sst 316.....	3-7
897205	Bearing - Thrust.....	4-1
911402	Connector, J3.....	7-3
911404	Connector, J5.....	7-3
911642	Bracket.....	6-9
914445	Breaker - Circuit, CB3.....	7-2
914801	E-Ring.....	6-6
914807	Spring, as necessary.....	6-6
914809	Crank.....	6-6
914813	Block, drive side.....	5-1
914985	Block, non-drive side.....	5-1
918801	Transformer, T1.....	7-2
943076	Setscrew, 6-32 x 1/4.....	4-2
943208	Spacer.....	6-8
943389	Relief - Strain.....	7-8
943700	Disconnect - Quick.....	6-3
943701	Valve.....	6-3
955849	Recirculation Pump Assembly, B3.....	6-1, 6-2, 6-5
963982	Coupling, female.....	4-2
963983	Spring.....	4-2
963990	Key.....	4-2
963991	Cover - Evaporation, fix-wash.....	2-4
963995	Cover.....	7-8
963997	Shaft.....	4-3
963998	Retainer.....	4-2

Part Number	Description	Figure Number
963999	Bolt - Shoulder.....	3-3, 3-11
968009	Washer	4-2
968017	Tubing, 3/4 in. I.D., size #10 clamp.....	6-3
968018	Tubing, 3/8 in. I.D., size #2 clamp.....	6-1
968020	Tubing, 3/8 in. I.D., size #2 clamp.....	6-2
968021	Thermistor, RT2.....	5-2
968022	Thermistor, RT1.....	6-4
968023	Thermostat - Over-temperature, S2.....	6-4
968076	Plate - Side.....	3-3
968077	Tubing, 3/8 in. I.D., size #2 clamp.....	6-1, 6-2
968080	Detector Roller Assembly, lower.....	3-1, 3-3
968081	Detector Roller Assembly, upper.....	3-1, 3-3
968086	Spacer	3-11
968087	Spacer	3-11
968091	Chain - Buffer drive.....	4-2
968093	Gear Box, right angle.....	4-2
968094	Shaft	4-1
968096	Solenoid - Developer cooling, L2.....	6-3
968098	Chain - Main drive.....	4-1, 4-2
968099	Sprocket - Buffer drive, 60 tooth.....	4-2
968830	Tubing, 1/2 in. I.D., size #6 clamp.....	6-2
968834	Tubing, 1/2 in. I.D., size #6 clamp.....	6-3
968835	Tubing, 1/2 in. I.D.....	6-1
968836	Tubing, 1/2 in. I.D., size #6 clamp.....	6-1, 6-2, 6-3
968838	Tubing, 1/2 in. I.D., size #6 clamp.....	6-1
968840	Tubing, 3/4 in. I.D., size #10 clamp.....	6-3
968841	Tubing, 1/2 in. I.D., size #6 clamp.....	6-2
968842	Tubing, 1/2 in. I.D., size #6 clamp.....	6-1
968846	Tubing, 3/4 in. I.D., size #10 clamp.....	6-3
968847	Tubing, 3/4 in. I.D., size #10 clamp.....	6-1
968848	Tubing, 1/2 in. I.D., size #6 clamp.....	6-1
968849	Tubing, 5/8 in. I.D., size #6 clamp.....	6-1
968850	Tubing, 3/4 in. I.D., size #10 clamp.....	6-1
968851	Tubing, 3/4 in. I.D., size #10 clamp.....	6-2
968852	Tubing, 3/4 in. I.D., size #6 clamp.....	6-2, 6-3
968853	Tubing, 1/2 in. I.D., size #6 clamp.....	6-3
968854	Tubing, 3/8 in. I.D., size #2 clamp.....	6-3
968855	Tubing, 1/2 in. I.D., size #6 clamp.....	6-3
968868	Coupling, male.....	3-7
968900	Filter - EMI, FL2	7-2
968901	Filter, FL3	7-2
968902	Motor - Drive, B2.....	4-2
968903	Drive Motor Speed Control Assembly, A6.....	7-8
968906	Relay, K1, K2, K3, K5	7-3
968908	Terminal, TB1	7-2
968909	Terminal, TB2.....	7-2
968913	Breaker - Circuit, CB1.....	7-2
968914	Breaker - Circuit, CB2.....	7-2
981014	Bracket, upper mounting.....	5-1
981450	Plate - Side, non-drive side.....	5-1
981451	Plate - Side, drive side.....	5-1
981453	Plenum.....	5-2
981455	Panel - Air flow, clear.....	5-1

Part Number	Description	Figure Number
981456	Gasket, order by the foot	2-2, 5-2
981459	Shim	4-2
981468	Guard - Dryer	5-2
981471	Clip	7-7
981550	Dryer Heater, HR1 Assembly	5-2
981741	Power Supply, A5	7-3
981742	Solenoid - Water inlet, L1	6-3
981743	Relay - Time delay, K6	7-3
981744	Relay - Interlock, K4	7-3
981834	200 Circuit Board Assembly	7-3, 7-5
981841	400 Circuit Board Assembly	7-7
981842	300 Circuit Board Assembly	7-6, 7-9
981849	100 Circuit Board Assembly	7-3, 7-4
981852	Cover - Receptacle	7-9
981856	Support Plate Mask Assembly	7-9
981862	Bracket	7-1
981865	Screw - Leveling, 1/2-13 x 3.5 in., sst 316	8-1
981869	Guard - Splash, idle side	2-4
981872	Guard - Splash, drive shaft	2-4
981874	Guard - Splash, detector rollers	2-4
990150	Replenishment Pump Assembly, B4	6-1, 6-2, 6-6
990151	Brush	4-2
990152	Cap	4-2
990153	Guard - Splash, dryer end	2-4
990154	Bracket, top cover interlock	2-1
990155	Spring	4-2
990156	Shaft	3-3
990157	Shaft	3-3
990158	Cover	5-2
990159	Guard - Splash, filter/control box	2-4
990164	Guard - Splash, dryer drive/motor assembly	2-4
990250	Plunger - Interlock	2-1
990257	Arm - Pivot	3-3
990269	Clamp	6-7
990271	Gear	3-7
990272	Shaft	3-7
990273	Gear	3-7
990274	Bushing	3-7
990276	Shaft	3-7
990279	Plate - Side	3-11
990281	Plate - Side, fix-wash	3-10
990283	Shaft	3-11
990284	Rod - Tie	3-11
990285	Sprocket, 14 tooth	4-2
990286	Screw, 5/16-18 x 1 in., sst 316	4-2
990289	Plate - Side, idle	3-7
990290	Plate - Side, drive	3-7
990291	Bearing, non-drive side	3-11
990293	Spacer	3-11
990294	Tube - J, fix-wash crossover	3-10
990299	Blower Motor Assembly, B1	5-2

BLANK PAGE

SECTION 10
Alphabetical Index

Part Number	Description	Figure Number
246808	#10 Clamp	
246800	#2 Clamp	6-1, 6-2, 6-3
246802	#6 Clamp	6-1, 6-2, 6-3
523016	#6 Nut	6-1, 6-2, 6-3
852621	#8 Nut	6-7
981849	100 Circuit Board Assembly	7-7
981834	200 Circuit Board Assembly	7-3, 7-4
981842	300 Circuit Board Assembly	7-3, 7-5
981841	400 Circuit Board Assembly	7-6, 7-9
532033	Adapter	7-7
261929	Anchor	6-4
748689	Arm	8-1
990257	Arm - Pivot	4-4
452090	Bar	3-3
452089	Bearing	3-4, 3-6, 3-7
452188	Bearing	3-4, 3-6
452212	Bearing	3-4, 3-6, 3-7
		3-3, 3-8, 3-9,
		3-10
452215	Bearing	3-3, 3-10
452217	Bearing	3-8, 3-9, 3-11
454462	Bearing	4-1, 4-3
650711	Bearing	3-5
897205	Bearing - Thrust	4-1
990291	Bearing, non-drive side	3-11
532008	Bellows, 1-1/2 in.	6-6
520396	Bellows, 1-in.	6-6
458956	Belt - Dryer drive	4-3, 4-4
699887	Bezel, feed-end control panel	7-9
699886	Bezel, receiving-end control panel	2-1, 7-7
240235	Bin	2-1
562670	Block	5-1
914813	Block, drive side	5-1
914985	Block, non-drive side	5-1
990299	Blower Motor Assembly, B1	5-2
532007	Body - Valve	6-6
188623	Bolt	8-1
852520	Bolt - Mounting	4-1, 4-2
963999	Bolt - Shoulder	3-3, 3-11
246746	Bracket	6-8
911642	Bracket	6-9
981862	Bracket	7-1
288574	Bracket - Seismic	8-1
748690	Bracket - Spring	4-4
990154	Bracket, top cover interlock	2-1
981014	Bracket, upper mounting	5-1
968913	Breaker - Circuit, CB1	7-2
968914	Breaker - Circuit, CB2	7-2
914445	Breaker - Circuit, CB3	7-2
990151	Brush	4-2
462936	Buffer Roller Assembly	3-1, 3-7

Part Number	Description	Figure Number
462942	Bushing.....	3-7
462944	Bushing.....	3-7
990274	Bushing.....	3-7
261391	Canister - Developer filter	6-1, 6-8
990152	Cap	4-2
699884	Cap - Access.....	2-2
562553	Cap - Filter, includes O-Ring 562485	6-1, 6-8
477506	Carrier, F1	7-3
562790	Cartridge - Filter	6-1, 6-8
452111	Chain	3-4, 3-6, 3-7, 3-8, 3-9
968091	Chain - Buffer drive.....	4-2
968098	Chain - Main drive.....	4-1, 4-2
990269	Clamp	6-7
246808	Clamp - Hose, wide band size 10, range .500 - 1.125, width .562	6-4
981471	Clip.....	7-7
454446	Collar	4-1, 4-3
457100	Collar	3-7
457109	Collar	3-4, 3-6
594837	Connecting Rod and Bearing Assembly	6-6
493276	Connector, J2 and J4.....	7-3
911402	Connector, J3	7-3
911404	Connector, J5	7-3
563378	Connector, J6, J7	7-3
652486	Counter - Film, M1	7-3
963982	Coupling, female.....	4-2
968868	Coupling, male.....	3-7
963995	Cover	7-8
990158	Cover	5-2
699885	Cover - Access.....	2-2
462593	Cover - Evaporation, developer	2-4
963991	Cover - Evaporation, fix-wash.....	2-4
981852	Cover - Receptacle.....	7-9
699875	Cover - Top	2-1
914809	Crank	6-6
594838	Cup - Displacement, 1-1/2 in.	6-6
418740	Cup - Displacement, 1-in.	6-6
261898	Cup - Floor	8-1
479821	Cylinder - Graduated.....	6-9, 8-2
968080	Detector Roller Assembly, lower.....	3-1, 3-3
968081	Detector Roller Assembly, upper	3-1, 3-3
571405	Developer Rack Assembly	3-4
571403	Developer-Fix Crossover Assembly	3-10
571408	Developer/Fixer Turnaround Assembly.....	3-8
943700	Disconnect - Quick	6-3
240819	Drain Valve Assembly, includes handle.....	6-1, 6-2, 6-3, 6-7
968903	Drive Motor Speed Control Assembly, A6.....	7-8
286948	Drive Roller Assembly	3-1, 5-1
981550	Dryer Heater, HR1 Assembly.....	5-2
286949	Dryer Roller Assembly.....	3-1, 5-1
914801	E-Ring.....	6-6
520390	Elbow	6-6

Part Number	Description	Figure Number
699878	Entrance Detector Assembly.....	3-3
454027	Film Guide Assembly.....	2-3
968900	Filter - EMI, FL2.....	7-2
337284	Filter, FL1.....	7-2
968901	Filter, FL3.....	7-2
781230	Filter, FL4.....	7-2
478510	Fitting.....	6-5
699879	Fix-Wash Crossover Assembly.....	3-10
607616	Fixer Rack Assembly.....	3-6
459635	Flange.....	3-7
734270	Fuse, 0.5A, 5x20, FA.....	7-8
177544	Fuse, 1 Amp, F1.....	7-3
264407	Fuse, 2 Amp, F2 and F3.....	7-3
330377	Fuse, 5A, 5x20, FL.....	7-8
613114	Gasket.....	8-2
454749	Gasket - Lighttight, 18-ft roll.....	8-2
457253	Gasket, order by the foot.....	2-4
981456	Gasket, order by the foot.....	2-2, 5-2
452023	Gear.....	3-3, 3-4, 3-7, 3-10, 3-11
459240	Gear.....	3-4, 3-6, 3-7
462939	Gear.....	3-7
462943	Gear.....	3-7
467564	Gear.....	3-2
482310	Gear.....	4-3
990271	Gear.....	3-7
990273	Gear.....	3-7
458869	Gear - Idler.....	3-3, 3-11
462941	Gear - Idler.....	3-7
454477	Gear - Worm.....	4-3
968093	Gear Box, right angle.....	4-2
520397	Guard.....	6-6
981468	Guard - Dryer.....	5-2
453055	Guard - Splash.....	8-2
981874	Guard - Splash, detector rollers.....	2-4
981872	Guard - Splash, drive shaft.....	2-4
990164	Guard - Splash, dryer drive/motor assembly.....	2-4
990153	Guard - Splash, dryer end.....	2-4
990159	Guard - Splash, filter/control box.....	2-4
981869	Guard - Splash, idle side.....	2-4
418739	Guide.....	6-6
463314	Handle.....	6-7, 6-9
470119	Handle.....	2-1
470153	Handle - Cover.....	2-1
696164	Heater, HR2.....	6-4
498607	Holder - Fuse, F1.....	7-3
264405	Holder - Fuse, F2 and F3.....	7-3
594910	Housing.....	4-3
418700	Housing - Inner.....	6-5
520373	Housing - Pump.....	6-5
472605	Housing, left hand.....	6-5
520367	Housing, outer.....	6-5
539198	Idler.....	3-2

Part Number	Description	Figure Number
474362	Impeller.....	6-5
520369	Impeller and Magnet Assembly.....	6-5
452028	Key.....	3-3, 3-10, 3-11
452044	Key.....	3-4, 3-6, 3-7, 3-8, 3-9
452109	Key.....	3-4, 3-6, 3-7
963990	Key.....	4-2
607793	Locator.....	6-4
650876	Magnet.....	3-3
968902	Motor - Drive, B2.....	4-2
452034	Nut.....	3-8, 3-9
452035	Nut.....	3-8, 3-9
457069	Nut.....	3-4, 3-6, 3-7
458606	Nut.....	3-10, 3-11
520391	Nut.....	6-6
852622	Nut.....	5-2, 6-3, 6-5, 6-9
246001	Nut - Coupling.....	6-6
472756	Nut - Long.....	3-3, 3-10
472755	Nut - Short.....	3-3, 3-11
144097	Nut - Wing.....	2-3, 6-5
853136	Nut, 1/4-20, sst 316.....	3-7
852800	Nut, 10-32, sst 316.....	3-5, 3-6, 3-7
852801	Nut, 3/8-24, sst 316.....	3-7
852798	Nut, 5/16-24, sst 316.....	3-4, 3-6, 3-7, 3-10, 3-11
452101	Nut, nylon, 5/16-24.....	3-3, 3-5, 3-8, 3-9, 3-10, 3-11
454543	O-Ring.....	5-1
463363	O-Ring.....	6-5
520388	O-Ring.....	6-6
535639	O-Ring.....	6-6
562485	O-Ring.....	6-8
458206	Oiler.....	4-1
539141	Orifice.....	6-2
539151	Orifice.....	6-3
699883	Panel - Access, lower.....	2-2
699877	Panel - Access, receiving end.....	2-1
699876	Panel - Access, side.....	2-1
981455	Panel - Air flow, clear.....	5-1
853000	Pin.....	4-1, 4-3
853032	Pin.....	4-2
853084	Pin.....	4-3
288235	Plate.....	7-1
452991	Plate - Floor.....	8-1
467126	Plate - Rewet.....	3-5
453180	Plate - Side.....	3-8, 3-9
458923	Plate - Side.....	3-4, 3-6
968076	Plate - Side.....	3-3
990279	Plate - Side.....	3-11
471649	Plate - Side, developer-fix.....	3-10

Part Number	Description	Figure Number
990290	Plate - Side, drive.....	3-7
981451	Plate - Side, drive side.....	5-1
990281	Plate - Side, fix-wash.....	3-10
990289	Plate - Side, idle.....	3-7
981450	Plate - Side, non-drive side.....	5-1
981453	Plenum.....	5-2
852391	Plug.....	2-2
990250	Plunger - Interlock.....	2-1
981741	Power Supply, A5.....	7-3
289783	Pulley.....	4-4
452113	Pulley.....	3-7
454552	Pulley.....	4-3
458901	Pulley.....	5-1
467887	Pulley.....	3-5, 3-6
779727	Pulley.....	4-4
202888	Receptacle.....	2-1
955849	Recirculation Pump Assembly, B3.....	6-1, 6-2, 6-5
981744	Relay - Interlock, K4.....	7-3
655290	Relay - Solid state, U1 and U2.....	7-3
981743	Relay - Time delay, K6.....	7-3
968906	Relay, K1, K2, K3, K5.....	7-3
616164	Relief - Strain.....	7-8
943389	Relief - Strain.....	7-8
990150	Replenishment Pump Assembly, B4.....	6-1, 6-2, 6-6
455760	Retainer.....	3-3, 3-8, 3-9, 3-10, 3-11
499753	Retainer.....	2-1
963998	Retainer.....	4-2
651107	Ring.....	3-3
166326	Ring - Retaining.....	4-4
452001	Rod.....	3-3, 3-10, 3-11
452033	Rod.....	3-8, 3-9
452096	Rod.....	3-4
452213	Rod.....	3-10
452216	Rod.....	3-8, 3-9
452105	Rod - Spacer.....	3-4, 3-6, 3-7
454032	Rod - Tie.....	3-4, 3-6, 3-7
454423	Rod - Tie.....	3-3
990284	Rod - Tie.....	3-11
459379	Roller.....	5-1
489693	Roller.....	3-2
452901	Roller - Cluster.....	3-1, 3-3, 3-8, 3-9, 3-10, 3-11
452931	Roller - Cluster, idler.....	3-1, 3-3, 3-11
489700	Roller - Drive.....	3-1, 3-5
562330	Roller - Idler.....	3-1, 3-11
454433	Roller - Master.....	3-1, 3-3, 3-8, 3-9, 3-10, 3-11
489695	Roller - Plain.....	3-1, 3-5, 3-6, 3-7

Part Number	Description	Figure Number
470087	Roller - Rewet.....	3-1, 3-5
470812	Roller - Sleeved.....	3-1
457995	Screen	8-2
520370	Screw.....	6-5
154273	Screw - Cap, 8-32 x 3/4.....	7-9
981865	Screw - Leveling, 1/2-13 x 3.5 in., sst 316.....	8-1
852871	Screw - Motor mounting, 10-32	4-2
493422	Screw - Shoulder, 8-32	3-3
452114	Screw - Spacer.....	3-8, 3-9
541262	Screw, 1/4-20 x 2 in.....	4-4
852867	Screw, 1/4-20 x 3/8, sst 316.....	3-4, 3-6
852658	Screw, 10-32 x 1/2 in.....	4-1
852805	Screw, 10-32 x 1/2 in., sst 316.....	3-4, 3-6, 3-7, 4-3
852776	Screw, 10-32 x 3/8 in.....	2-2, 2-4, 4-4, 5-1, 6-4, 6-6, 7-1, 7-7, 7-8
852683	Screw, 10-32 x 3/8 in., sst 316.....	3-3, 3-8, 3-9, 3-11
852802	Screw, 10-32, sst 316	2-1
535561	Screw, 4-40 x 3/8 in.....	2-1, 7-1
575821	Screw, 4-40, sst 316	3-3
990286	Screw, 5/16-18 x 1 in., sst 316.....	4-2
852772	Screw, 6-32	7-7
852774	Screw, 6-32 x 1/4 in.....	2-2, 7-7
852888	Screw, 8-32	5-2
852808	Screw, 8-32 x 1/2 in.....	2-1
852862	Screw, 8-32 x 1/2 in.....	2-4, 5-1
852807	Screw, 8-32 x 1/2 in., sst 316.....	3-8, 3-9, 5-1, 3-10
133457	Screw, 8-32 x 1/4 in.....	7-9
852523	Screw, 8-32 x 1/4 in.....	7-9
852946	Screw, 8-32 x 1/4, sst 316.....	3-8, 3-9, 6-5, 3-10
852522	Screw, 8-32 x 3/8 in.....	2-1
852682	Screw, 8-32 x 3/8 in., sst 316.....	2-3, 3-3, 4-2, 5-2, 6-8, 7-8, 3-10, 3-11
853137	Screw, 8-32 x 3/8, sst 316.....	3-7
852797	Screw, 8-32, sst 316	3-4, 3-6
261619	Screw, includes washer.....	2-1
779133	Seismic Kit, complete.....	8-1
852558	Setscrew, 10-32 x 1/4 in.....	4-3
852554	Setscrew, 10-32 x 1/4 in., sst 316	3-3, 3-4, 3-6, 3-7, 3-10
852559	Setscrew, 10-32 x 3/8 in.....	4-2
852555	Setscrew, 10-32 x 3/8 in., sst 316	3-7
943076	Setscrew, 6-32 x 1/4	4-2
852889	Setscrew, 6-32, sst 316	4-2
852857	Setscrew, 8-32 x 1/4 in., sst 316.....	3-3, 3-8, 3-9, 3-10, 3-11

Part Number	Description	Figure Number
852851	Setscrew, 8-32 x 3/4 in.	5-1
852553	Setscrew, 8-32, sst 316	4-1, 4-3
452005	Shaft	3-10
452038	Shaft	3-8, 3-9
454478	Shaft	4-3
455775	Shaft	3-4, 3-5, 3-6
456162	Shaft	5-1
963997	Shaft	4-3
968094	Shaft	4-1
990156	Shaft	3-3
990157	Shaft	3-3
990272	Shaft	3-7
990276	Shaft	3-7
990283	Shaft	3-11
455929	Shelf - Feed, complete	2-3
981459	Shim	4-2
452214	Shoe - Guide	3-11
454687	Shoe - Guide	3-3, 3-8, 3-9, 3-10
454554	Sleeve	4-3
462933	Sleeve	3-7
779749	Sleeve	4-4
462581	Sleeve Assembly	3-7
968096	Solenoid - Developer cooling, L2	6-3
981742	Solenoid - Water inlet, L1	6-3
455777	Spacer	3-6
459346	Spacer	3-5
943208	Spacer	6-8
968086	Spacer	3-11
968087	Spacer	3-11
990293	Spacer	3-11
452017	Spacer - Nut, long	3-3
452003	Spacer - Nut, short	3-3
473955	Spindle	6-5
240567	Spring	4-4
562609	Spring	5-1
963983	Spring	4-2
990155	Spring	4-2
914807	Spring, as necessary	6-6
454451	Sprocket	4-1
466671	Sprocket	3-4, 3-6, 3-7, 3-8, 3-9
607833	Sprocket	3-2
968099	Sprocket - Buffer drive, 60 tooth	4-2
990285	Sprocket, 14 tooth	4-2
454453	Sprocket, 19 tooth	4-2
454454	Sprocket, 20 tooth	4-3
699882	Squeegee Assembly	3-11
472261	Strainer Assembly, complete	8-2
243572	Strip - Terminal, AC, TB3	7-3
595595	Strip - Terminal, DC, TB4	7-3
452100	Stud	3-3, 3-8, 3-9, 3-10, 3-11

Part Number	Description	Figure Number
452112	Stud	3-5, 3-6, 3-7
459638	Stud	3-7
470507	Stud	3-5
795846	Stud	4-4
462950	Stud, buffer roller.....	3-7
474777	Stud, snap-in	3-4, 3-6, 3-7
456931	Support	4-1
463160	Support	3-3, 3-8, 3-9, 3-10, 3-11
456191	Support - Rack, drive side	4-1
459699	Support - Rack, idle side.....	4-1
981856	Support Plate Mask Assembly	7-9
240109	Switch - Detector, S3 and S4	7-1
315594	Switch - Interlock.....	2-1, 5-2
480059	Switch, S6.....	7-3
186441	Tee.....	6-1, 6-2, 6-3
748585	Tee.....	6-1, 6-2, 6-3, 6-7
968908	Terminal, TB1	7-2
968909	Terminal, TB2	7-2
968022	Thermistor, RT1.....	6-4
968021	Thermistor, RT2.....	5-2
594795	Thermostat - Over-temperature.....	5-2
968023	Thermostat - Over-temperature, S2.....	6-4
607748	Thermowell	6-1, 6-4
918801	Transformer, T1	7-2
453009	Tray - Drip	8-2
779232	Tube - Air.....	3-1, 5-1
452095	Tube - Distributor.....	3-4, 3-6
990294	Tube - J, fix-wash crossover.....	3-10
452990	Tube - Replenishment check, 3/8 in. x 6 in. bulk.....	6-1, 6-2
968835	Tubing, 1/2 in. I.D.....	6-1
968830	Tubing, 1/2 in. I.D., size #6 clamp.....	6-2
968834	Tubing, 1/2 in. I.D., size #6 clamp.....	6-3
968836	Tubing, 1/2 in. I.D., size #6 clamp.....	6-1, 6-2, 6-3
968838	Tubing, 1/2 in. I.D., size #6 clamp.....	6-1
968841	Tubing, 1/2 in. I.D., size #6 clamp.....	6-2
968842	Tubing, 1/2 in. I.D., size #6 clamp.....	6-1
968848	Tubing, 1/2 in. I.D., size #6 clamp.....	6-1
968853	Tubing, 1/2 in. I.D., size #6 clamp.....	6-3
968855	Tubing, 1/2 in. I.D., size #6 clamp.....	6-3
968017	Tubing, 3/4 in. I.D., size #10 clamp.....	6-3
968840	Tubing, 3/4 in. I.D., size #10 clamp.....	6-3
968846	Tubing, 3/4 in. I.D., size #10 clamp.....	6-3
968847	Tubing, 3/4 in. I.D., size #10 clamp.....	6-1
968850	Tubing, 3/4 in. I.D., size #10 clamp.....	6-1
968851	Tubing, 3/4 in. I.D., size #10 clamp.....	6-2
968852	Tubing, 3/4 in. I.D., size #6 clamp.....	6-2, 6-3
968018	Tubing, 3/8 in. I.D., size #2 clamp.....	6-1
968020	Tubing, 3/8 in. I.D., size #2 clamp.....	6-2
968077	Tubing, 3/8 in. I.D., size #2 clamp.....	6-1, 6-2
968854	Tubing, 3/8 in. I.D., size #2 clamp.....	6-3
968849	Tubing, 5/8 in. I.D., size #6 clamp.....	6-1

Part Number	Description	Figure Number
943701	Valve.....	6-3
240888	Valve - Replenishment check.....	6-1, 6-2, 6-9
520389	Valve Assembly.....	6-6
699880	Wash Rack Assembly.....	3-7
699881	Wash Turnaround Assembly.....	3-9
173824	Washer.....	8-1
175121	Washer.....	3-3
452041	Washer.....	3-8, 3-9
455776	Washer.....	3-4, 3-6
493505	Washer.....	6-5
575822	Washer.....	3-3, 7-1
748957	Washer.....	4-1
852611	Washer.....	2-1, 3-3, 3-9, 5-1, 5-2, 6-8, 7-8, 3-10, 3-11
852614	Washer.....	3-7, 4-2
852630	Washer.....	2-3, 4-4
852799	Washer.....	3-3, 3-4, 3-5, 3-6, 3-7, 4-2, 4-4, 5-1, 5-2, 6-3, 6-4, 6-5, 6-6, 6-9, 7-1, 7-8, 3-11
852831	Washer.....	2-1, 2-2, 6-7, 7-7
852873	Washer.....	2-1, 2-3
968009	Washer.....	4-2
168424	Washer - Lock.....	4-2, 7-7
187213	Washer - Lock.....	2-2, 6-7
187283	Washer - Lock.....	3-3, 7-1
535004	Washer - Lock.....	3-3, 4-4, 5-1, 6-6, 6-9, 7-1, 7-8, 3-11
535009	Washer - Lock.....	4-4
535010	Washer - Lock.....	4-2
539180	Washer - Lock.....	7-7
852100	Washer - Lock.....	7-8
853004	Washer - Lock.....	5-2, 6-3, 6-4, 6-5
853100	Washer - Lock.....	2-1, 2-3, 3-3, 5-1, 5-2, 6-8, 7-9, 3-10, 3-11
473954	Washer - Thrust.....	6-5
454436	Worm.....	4-1
243770	Y.....	6-3

Health Sciences
EASTMAN KODAK COMPANY
Rochester, New York 14650

Kodak and Industrex are trademarks.

The new vision of Kodak

