

CP160

TECHNICAL SPECIFICATION

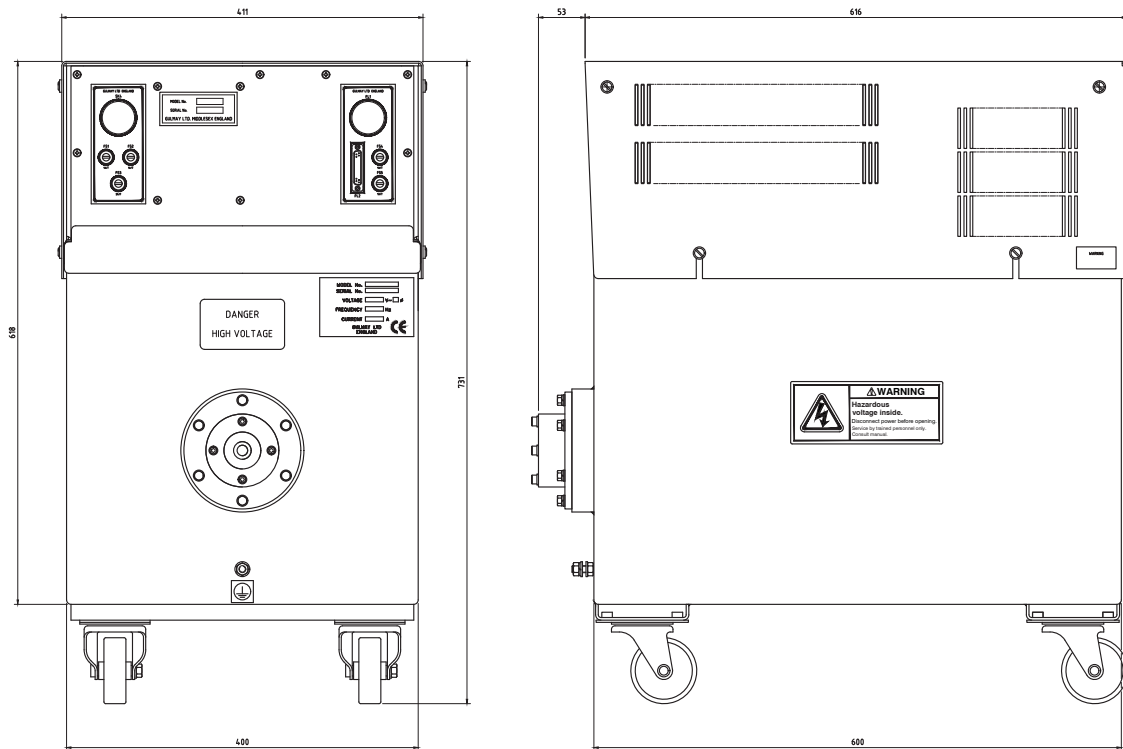


Maximum Power	3200 W
kV Range	10 – 160 kV
kV Accuracy	± 1% of Demand Value
kV Reproducibility	Better Than ± 0.05 kV
High Voltage Ripple	<5.0V/mA with 10M High Voltage Cable
mA Range	0 – 30 mA
mA Accuracy	± 0.5% of Demand Value
mA Reproducibility	Better Than 2µA
Input Voltage	220 V ±10% 47 – 63 Hz
Input Current	27 A at 220 V
Output Connector	R24
Dimensions Cathode (W x H X D)	435 x 729 x 667 mm
Weight	220 kg
Storage Temperature	-40° C to + 70° C
Operational Temperature	0°C to + 40°C
Relative Humidity	95%
Duty Cycle	100%
Comms	Analogue / RS232 / RS422

X-RAY

GENERATORS • CONTROLLERS • TUBES

The CP Series has continued to evolve over its product life and is available in the range of 65KV to 450KV with both unipolar and bipolar options. CP series generators are available in single or dual focus configurations. The CP series uses 25 kHz for EHT generation and the family of products offers low ripple and low drift.



GULMAY Limited
Cyan House, 1 Canada Road, Byfleet, Surrey, KT14 7JL
United Kingdom
Telephone: +44 01932 339850

