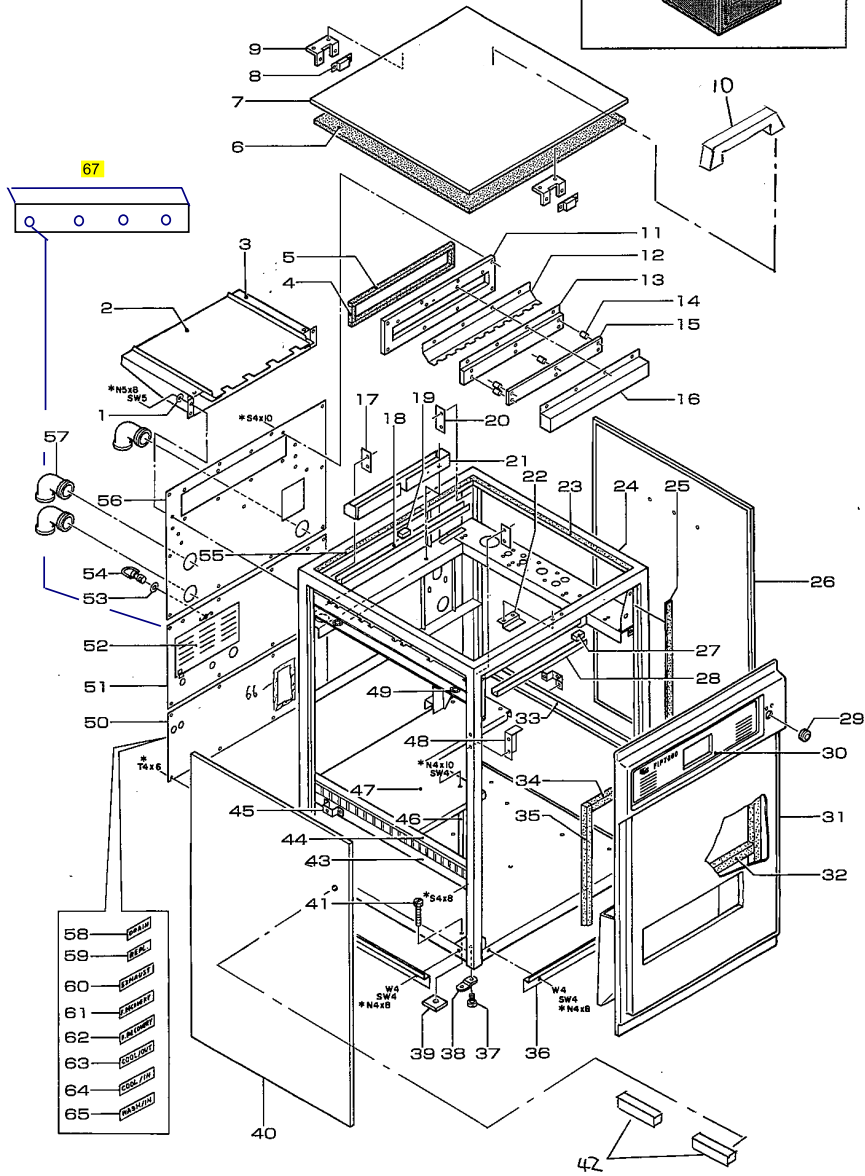


FIP7000

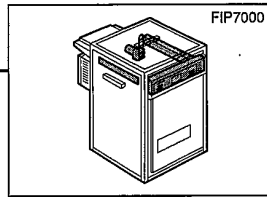


● Body frame

| Drawing | | Part Name | | Qty | Remarks |
|----------|---------------|------------------|--|-----|------------------|
| Ref. No. | Part No. | | | | |
| 1 | 309F0022 | Washer,plain | | 9 | |
| 2 | 363F4423A | Feed tray | | 1 | |
| 3 | 357F1539B | Brace | | 1 | |
| 4 | 382F0007-0068 | Sponge tape | | 2 | 15XW5 |
| 5 | 382F0046-0476 | Sponge tape | | 2 | 15XW7 |
| 6 | 385F0172A | Insulator | | 1 | |
| 7 | 350F5842D | Cover | | 1 | |
| 8 | 394F0012 | Magnet | | 2 | |
| 9 | 356F11339A | Bracket | | 2 | |
| 10 | 340F0547 | Cover grip | | 1 | |
| 11 | 345F1986A | Frame assembly | | 1 | |
| 12 | 363F4422A | Guide plate | | 1 | |
| 13 | 356F10855A | Bracket | | 1 | |
| 14 | 347F2083 | Spacer | | 6 | |
| 15 | 113F0647C | Photo sensor | | 1 | Board assy (MFS) |
| 16 | 350F5839 | Cover | | 1 | |
| 17 | 350F5905A | Cover | | 2 | |
| 18 | 356F11341 | Bracket | | 1 | |
| 19 | 128H1012 | Switch | | 2 | |
| 20 | 350F5906A | Cover | | 1 | |
| 21 | 350F0618 | Cover | | 1 | |
| 22 | 356F10869A | Bracket | | 1 | |
| 23 | 345F0127A | Shielding velour | | 2 | 742mm |
| 24 | 355F1373 F | Body frame | | 1 | |
| 25 | 345F0127A | Shielding velour | | 6 | 1140mm |
| 26 | 348F1328 E | Side panel | | 1 | |
| 27 | 128H1012 | Switch | | 2 | |
| 28 | 356F11340 | Bracket | | 1 | |
| 29 | 317F0078 | Cap | | 1 | |
| 30 | 405F8242B | Label | | 1 | |
| 31 | 348F1335 | Side panel | | 1 | |
| 32 | 382F0126 | Sponge tape | | 1 | 20X30 435mm |
| 33 | 355F1366 C | Brace | | 1 | |

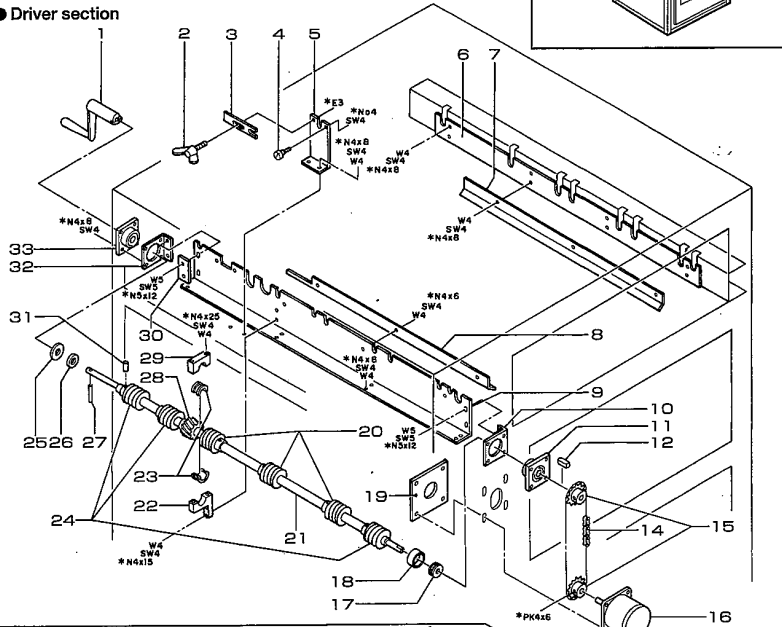
| Drawing | | Part Name | | Qty | Remarks |
|----------|-------------|------------------|--|-----|-------------|
| Ref. No. | Part No. | | | | |
| 34 | 382F0125 | Sponge tape | | 2 | 30X30 530mm |
| 35 | 382F0125 | Sponge tape | | 2 | 30X30 850mm |
| 36 | 362F0222A | Bracket | | 3 | |
| 37 | 308F0382 | Screw | | 4 | |
| 38 | 401F831181 | Plate | | 4 | |
| 39 | 347F831184 | Plate | | 4 | |
| 40 | 348F1327 E | Side panel | | 1 | |
| 41 | 308F0094 | Screw | | 4 | |
| 42 | 340F0548 | Grip | | 4 | |
| 43 | 355F1365 C | Brace | | 1 | |
| 44 | 369F0531A | Harness cover | | 1 | 0.7m |
| 45 | 356F10858 A | Bracket | | 2 | |
| 46 | 355F0131 | Brace | | 1 | |
| 47 | 357F1543B | Support | | 1 | |
| 48 | 350F5893C | Cover | | 1 | |
| 49 | 318F1002 | Bushing | | 2 | |
| 50 | 350F5852B | Cover | | 1 | |
| 51 | 350F5846A | Cover | | 1 | |
| 52 | 350F5847A | Access panel | | 1 | |
| 53 | 309F834147 | Washer | | 1 | |
| 54 | 340F0550 | Lock | | 1 | |
| 55 | 345F0238A | Shielding velour | | 2 | 720mm |
| 56 | 348F1331B | Side Panel | | 1 | |
| 57 | 318F3948 | Grommet | | 3 | |
| 58 | 405F8319223 | Name plate | | 1 | DRAIN |
| 59 | 405F8319131 | Name plate | | 2 | REPL. |
| 60 | 405F8319224 | Name plate | | 1 | EXHAUST |
| 61 | 405F8319229 | Name plate | | 1 | F.RECOVERY |
| 62 | 405F8319228 | Name plate | | 1 | D.RECOVERY |
| 63 | 405F0015 | Name plate | | 1 | COOL/OUT |
| 64 | 405F0010 | Name plate | | 1 | COOL/IN |
| 65 | 405F0011 | Name plate | | 1 | WASH/IN |
| 66 | 382F10022 | tape | | 1 | 30 M Roll |
| 67 | 356F1079A | Bracket | | 1 | |

△x6 08.12.3 AM-947/26 30x2
 △x1 02.10.15 AM-944/237 31x4
 △x1 02.3.6 AM-967/119 31x4
 △x1 418.2.7 AM-988/221-233 31x4
 △x1 417.12.22 AM-988/210-233 31x4
 △x3 414.11.18 AM-986/104 31x4
 △x1 416.11.11 AM-987/102-153 32x4
 △x2 415.9.11 AM-987/100-153 32x4

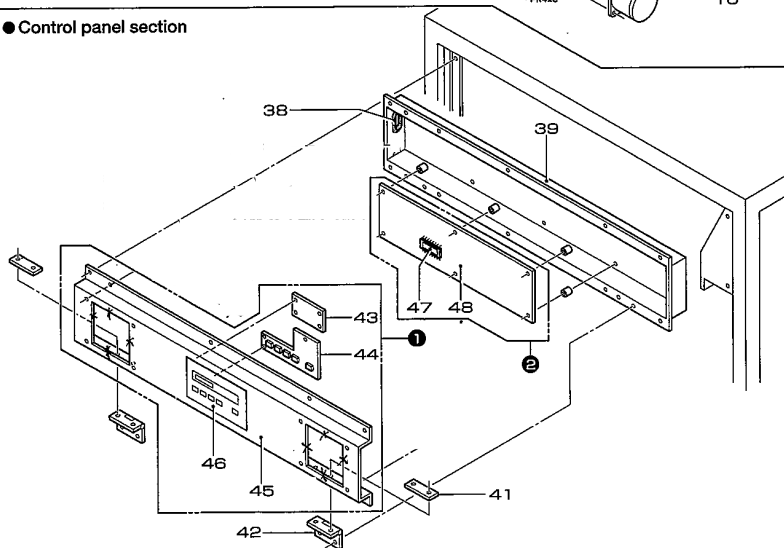


FIP7000

● Driver section



● Control panel section



● Drive section

Drawing

| Ref. No. | Part No. | Part Name | Qty | Remarks |
|----------|-------------|--------------|-----|----------|
| 1 | 339S0001 | Handle | 1 | |
| 2 | 304F0006 | Wing bolt | 2 | |
| 3 | 341F0155 | Arm assy | 1 | |
| 4 | 310F0140 | Screw shaft | 2 | |
| 5 | 362F0230 | Support | 1 | |
| 6 | 362F0229A | Support | 1 | |
| 7 | 362F0701 | Support | 1 | |
| 8 | 362F0700 | Support | 1 | |
| 9 | 362F0228 | Brace | 1 | |
| 10 | 356F0042A | Bracket | 2 | |
| 11 | 321S0012 | Bearing assy | 3 | FU-10EZZ |
| 12 | 312F0001 | Lock pin | 2 | |
| 13 | | | | |
| 14 | 325FF105080 | Chain | 1 | |
| 15 | 326F1012214 | Sprocket | 2 | |
| 16 | 118H0407 | Motor | 1 | TL167 |
| 17 | 322FA001 | Bearing | 1 | |

● Control panel section

Drawing

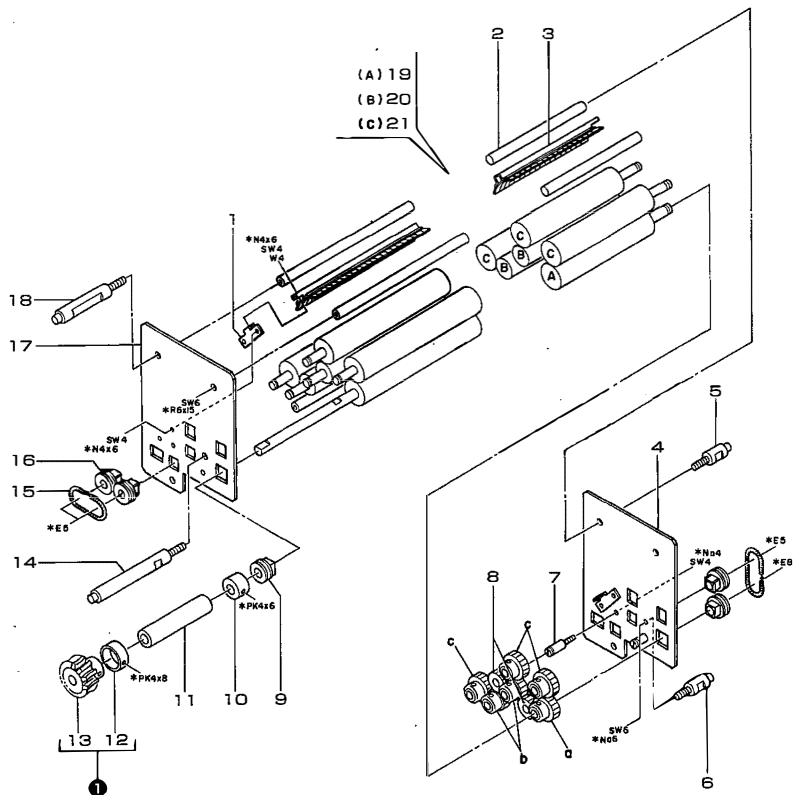
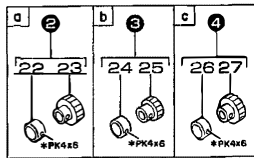
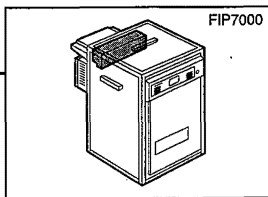
| Ref. No. | Part No. | Part Name | Qty | Remarks |
|----------|-----------|-----------|-----|----------|
| 38 | 318N3016 | Grommet | 1 | |
| 39 | 358F0637D | Cover | 1 | |
| 41 | 305F0256 | Nut | 2 | |
| 42 | 314F0090 | Bracket | 2 | B-1027-3 |

Drawing

| Ref. No. | Part No. | Part Name | Qty | Remarks |
|----------|-------------|--------------|-----|---------|
| 18 | 350F0014 | Casing | 1 | |
| 19 | 356F10823 | Bracket | 1 | |
| 20 | 327F8612112 | Worm gear | 3 | |
| 21 | 319F1537 | Drive shaft | 1 | |
| 22 | 356F2002-K1 | Bracket | 1 | |
| 23 | 322F3002 | Bearing | 1 | |
| 24 | 327F8612113 | Worm gear | 3 | |
| 25 | 309F0120010 | Flat washer | 1 | For M10 |
| 26 | 322F8312143 | Bearing | 1 | |
| 27 | 310F1003020 | Lock pin | 8 | |
| 28 | 327F2151310 | Helical gear | 1 | |
| 29 | 356F2002-K2 | Bracket | 1 | |
| 30 | 347F0257 | Spacer | 1 | |
| 31 | 310F1003020 | Lock pin | 8 | |
| 32 | 356F0042A | Bracket | 2 | |
| 33 | 321S0012 | Bearing assy | 3 | |

Drawing

| Ref. No. | Part No. | Part Name | Qty | Remarks |
|----------|---------------|----------------|-----|---------|
| 43 | 608H0007 | LCD | 1 | |
| 44 | 113H0221A | Board assy | 1 | NMK |
| 45 | 352F0239 B | Panel | 1 | |
| 46 | 405F8283 | Label | 1 | |
| 47 | 114FP108056 B | ROM | 1 | |
| 48 | 113H0219C | Board assy | 1 | |
| ● | 126H0074 A | Indicator assy | 1 | |
| ● | 857H0052 B | Board assy | 1 | NMC |



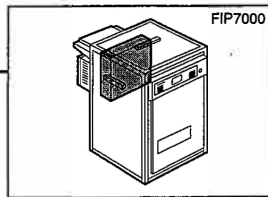
● Feed rack

Drawing

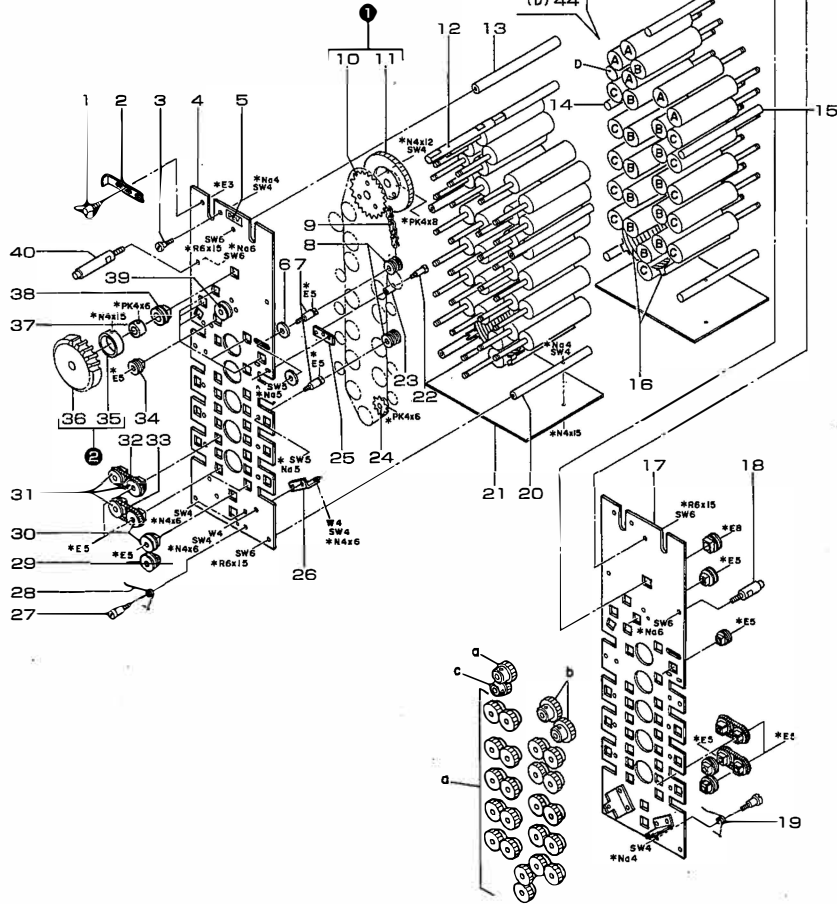
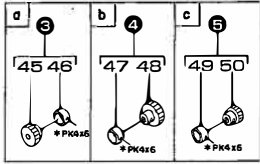
| Ref. No. | Part No. | Part Name | Qty | Remarks |
|----------|-------------|-------------|-----|---------|
| 1 | 362F0231 | Support | 12 | |
| 2 | 313F0128A | Rod | 10 | |
| 3 | 363F0571A | Guide plate | 1 | |
| 4 | 349F0216B | Side board | 2 | |
| 5 | 319F1520A | Screw shaft | 5 | |
| 6 | 319F1524A | Screw shaft | 2 | |
| 7 | 310F0138 | Screw shaft | 2 | |
| 8 | 327F1121603 | Spur gear | 2 | |
| 9 | 322FC092 | Bearing | 14 | |
| 10 | 338S0001 | Ring | 5 | |
| 11 | 338F0146 | Collar | 2 | |
| 12 | 338F0105 | Ring | 8 | |
| 13 | 327F5151803 | Worm wheel | 2 | |
| 14 | 319F1523A | Screw shaft | 2 | |
| 15 | 388F2073 | Coil spring | 55 | |
| 16 | 322FC049 | Bearing | 156 | |
| 17 | 349F0216B | Side board | 2 | |

Drawing

| Ref. No. | Part No. | Part Name | Qty | Remarks |
|----------|-------------|-----------------|-----|---------------|
| 18 | 319F1519A | Screw shaft | 5 | |
| 19 | 334F2277 | Resin roller | 1 | |
| 20 | 334F2274 | Resin roller | 5 | |
| 21 | 334F2276 | Resin roller | 17 | |
| 22 | 338F8614182 | Ring | 103 | |
| 23 | 327F1122013 | Spur gear | 2 | |
| 24 | 338F8614182 | Ring | 103 | |
| 25 | 327F1121601 | Spur gear | 6 | |
| 26 | 338F8614182 | Ring | 103 | |
| 27 | 327F1122006 | Spur gear | 71 | |
| ● | 327F5151804 | Worm wheel assy | 2 | |
| ● | 327F1122016 | Spur gear assy | 2 | |
| ● | 327F1121602 | Spur gear assy | 6 | |
| ● | 327F1122017 | Spur gear assy | 71 | |
| ● | 802F0139B | Feed rack assy | | Parts 1 to 27 |



FIP7000



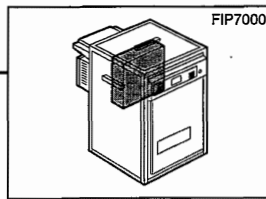
● Developer rack

Drawing

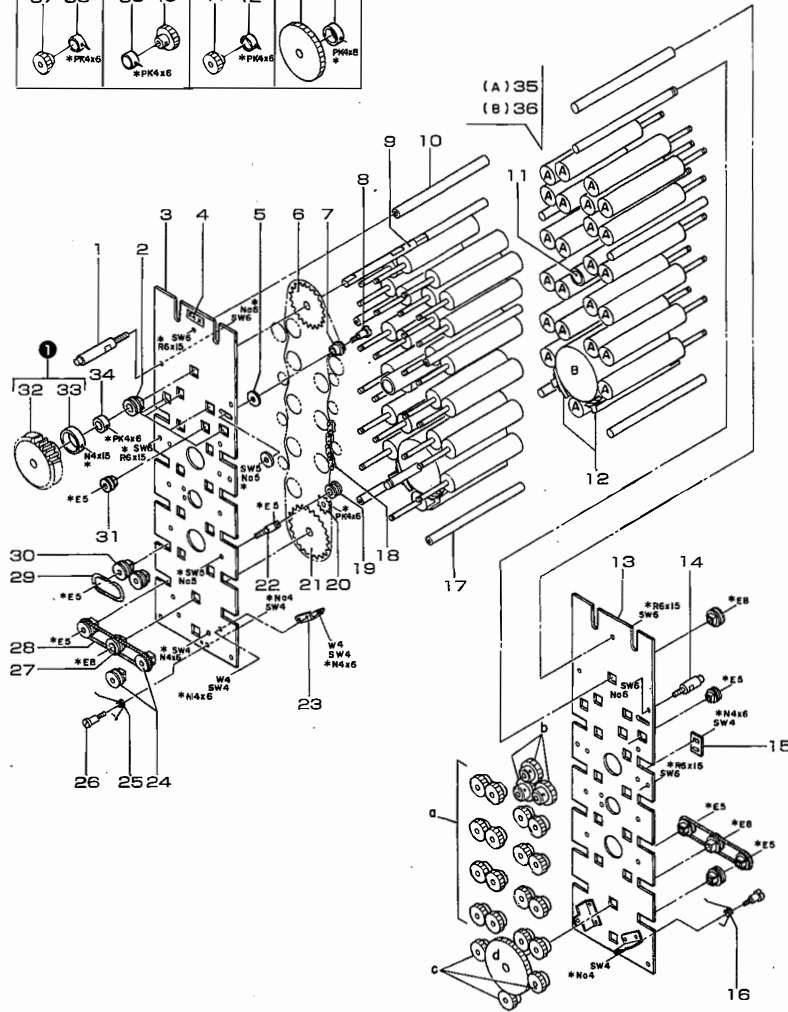
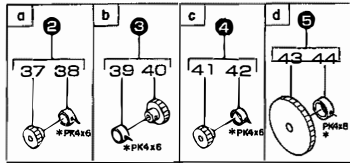
| Ref. No. | Part No. | Part Name | Qty | Remarks |
|----------|-------------|------------------|------------------------|-----------------------|
| 1 | 304F0006 | Wing bolt | 2 | |
| 2 | 332F0086A | Bracket | 1 | |
| 3 | 310F0140 | Screw shaft | 2 | |
| 4 | 349F0213C | Side board | 2 | |
| 5 | 405F8319231 | Name plate | 4 | DEV. |
| 6 | 309F0022 | Washer | 9 | |
| 7 | 319F1525 | Screw shaft | 24 | |
| 8 | 338F0149 | idler | 9 | |
| 9 | 325FJ105224 | Micro chain | 224-links, for RS11-SS | |
| 10 | 326F2015501 | Sprocket | 1 | 55-tooth, for RS11-SS |
| 11 | 327F1126002 | Spur gear | 2 | |
| 12 | 319F1514A | Rod | 3 | |
| 13 | 313F0126A | Rod | 3 | |
| 14 | 313F0127 | Rod | 10 | |
| 15 | 313F0127 | Rod | 10 | |
| 16 | 363F2268A | Guide plate | 2 | |
| 17 | 349F0213C | Side board | 2 | |
| 18 | 319F1517A | Screw shaft | 6 | |
| 19 | 388F3046 | Tension spring | 6 | |
| 20 | 313F0129 | Rod | 2 | |
| 21 | 345F0381 | Partition | 1 | |
| 22 | 319F1535 | Screw shaft | 1 | |
| 23 | 338F0148 | Collar | 1 | |
| 24 | 326F2012201 | Sprocket | 15 | 22-tooth, for RS11-SS |
| 25 | 346F0224 | Adjustment plate | 1 | |
| 26 | 362F0232 | Support | 12 | |
| 27 | 310F0137 | Screw shaft | 12 | |
| 28 | 388F3045 | Tension spring | 6 | |

Drawing

| Ref. No. | Part No. | Part Name | Qty | Remarks |
|----------|-------------|---------------------|-----|---------------|
| 29 | 322FC049 | Bearing | 156 | |
| 30 | 322FC094 | Bearing | 6 | |
| 31 | 322FC049 | Bearing | 156 | |
| 32 | 388F2069 | Coil spring | 21 | |
| 33 | 388F2073 | Coil spring | 55 | |
| 34 | 322FC091 | Bearing | 36 | |
| 35 | 338F8614184 | Ring | 4 | |
| 36 | 327F5154501 | Worm wheel | 3 | |
| 37 | 338S0001 | Ring | 5 | |
| 38 | 322FC092 | Bearing | 14 | |
| 39 | 322FC049 | Bearing | 156 | |
| 40 | 319F1516A | Screw shaft | 5 | |
| 41 | 334F2273 | Resin roller | 9 | |
| 42 | 334F3099C | Rubber roller | 12 | |
| 43 | 334F2252 | Resin roller | 11 | |
| 44 | 334F3103B | Rubber roller | 1 | |
| 45 | 327F1122006 | Spur gear | 71 | |
| 46 | 338F8614182 | Ring | 103 | |
| 47 | 338F8614182 | Ring | 103 | |
| 48 | 327F1122401 | Spur gear | 9 | |
| 49 | 338F8614182 | Ring | 103 | |
| 50 | 327F1121601 | Spur gear | 6 | |
| ① | 327F0010 | Gear assy | 1 | |
| ② | 327F5154502 | Worm wheel assy | 3 | |
| ③ | 327F1122017 | Spur gear assy | 71 | |
| ④ | 327F1122402 | Spur gear assy | 9 | |
| ⑤ | 327F1121602 | Spur gear assy | 6 | |
| ● | 802F0136D | Developer rack assy | 1 | Parts 1 to 50 |



FIP7000



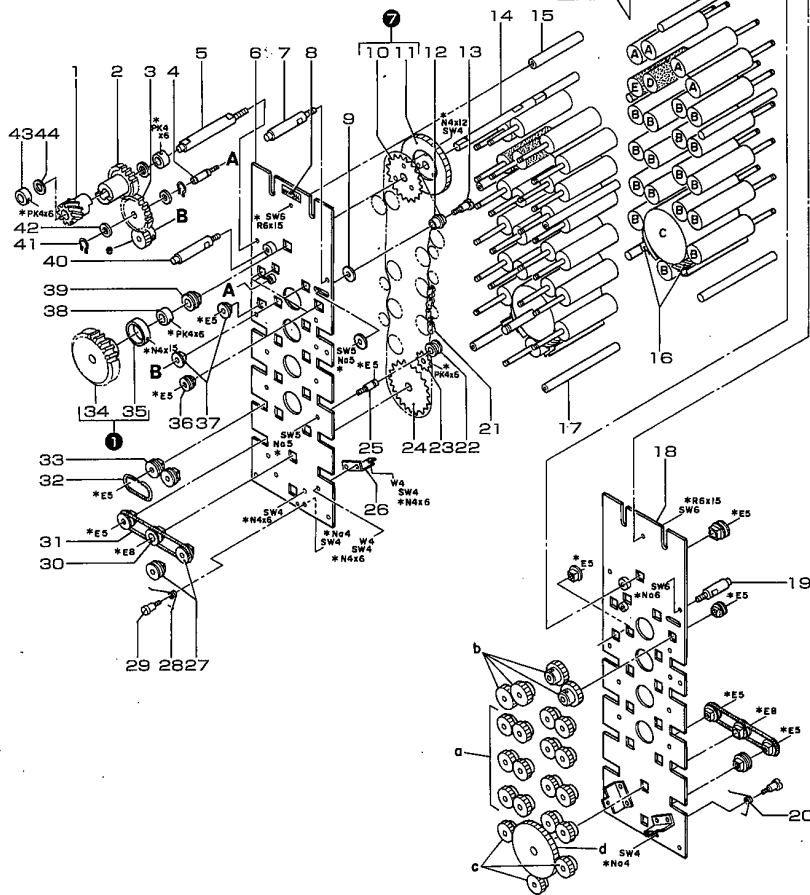
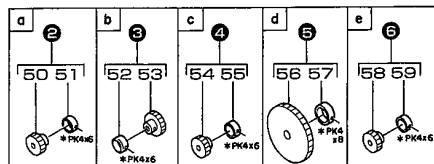
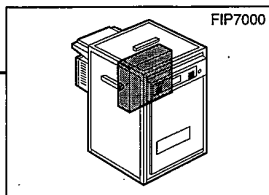
● Fixerrack

Drawing

| Ref. No. | Part No. | Part Name | Qty | Remarks |
|----------|-------------|------------------|-----|--------------------|
| 1 | 319F1516A | Screw shaft | 5 | |
| 2 | 322FC092 | Bearing | 14 | |
| 3 | 349F0214C | Side board | 2 | |
| 4 | 450F8319232 | Name plate | 4 | FIX. |
| 5 | 309F0022 | Washer | 9 | |
| 6 | 326F1013005 | Sprocket | 1 | 30-tooth, for RS25 |
| 7 | 362F0234 | Idler | 2 | |
| 8 | 319F1528 | Screw shaft | 2 | |
| 9 | 319F1514A | Rod | 3 | |
| 10 | 313F0126A | Rod | 3 | |
| 11 | 371F8614311 | Spray pipe | 1 | |
| 12 | 363F0572A | Guide plate | 6 | |
| 13 | 349F0214C | Side board | 2 | |
| 14 | 319F1517A | Screw shaft | 6 | |
| 15 | 401F8614312 | Adjustment plate | 2 | |
| 16 | 388F3046 | Tension spring | 6 | |
| 17 | 313F0127 | Rod | 10 | |
| 18 | 325FF105140 | Roller chain | 140 | Links for RS25 |
| 19 | 338F0150 | Idler | 13 | |
| 20 | 326F1011211 | Sprocket | 21 | 12-tooth, for RS25 |
| 21 | 326F1013604 | Sprocket | 2 | 36-tooth, for RS25 |
| 22 | 319F1525 | Screw shaft | 24 | |
| 23 | 362F0232 | Support | 12 | |
| 24 | 322FC049 | Bearing | 156 | |
| 25 | 388F3045 | Tension spring | 6 | |
| 26 | 310F0137 | Screw shaft | 12 | |

Drawing

| Ref. No. | Part No. | Part Name | Qty | Remarks |
|----------|-------------|-----------------|-----|---------------|
| 27 | 322FC050 | Bearing | 4 | |
| 28 | 388F2072 | Coil spring | 6 | |
| 29 | 388F2073 | Coil spring | 55 | |
| 30 | 322FC049 | Bearing | 156 | |
| 31 | 322FC091 | Bearing | 36 | |
| 32 | 327F5154501 | Worm wheel | 3 | |
| 33 | 338F8614184 | Ring | 4 | |
| 34 | 338S0001 | Ring | 5 | |
| 35 | 334F2251 | Resin roller | 41 | |
| 36 | 334F2272C | Resin roller | 2 | |
| 37 | 327F1122006 | Spur gear | 71 | |
| 38 | 338F8614182 | Ring | 103 | |
| 39 | 338F8614182 | Ring | 103 | |
| 40 | 327F1122401 | Spur gear | 9 | |
| 41 | 327F8614142 | Spur gear | 6 | |
| 42 | 338F8614182 | Ring | 103 | |
| 43 | 327F1126001 | Spur gear | 4 | |
| 44 | 338F0105 | Ring | 8 | |
| ① | 327F5154502 | Worm wheel assy | 3 | |
| ② | 327F1122017 | Spur gear assy | 71 | |
| ③ | 327F1122402 | Spur gear assy | 9 | |
| ④ | 327F1122019 | Spur gear assy | 6 | |
| ⑤ | 327F1126003 | Spur gear assy | 4 | |
| ● | 802F0137C | Fixer rack assy | 1 | Parts 1 to 44 |



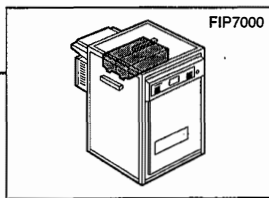
- (A) 45
- (B) 46
- (C) 47
- (D) 48
- (E) 49

● Washer rack

| Drawing | | Part Name | | Qty | Remarks |
|----------|-------------|----------------|--|--------------------|--------------------|
| Ref. No. | Part No. | | | | |
| 1 | 327F2151311 | Helical gear | | 1 | |
| 2 | 327F1123202 | Spur gear | | 1 | |
| 3 | 327F1123801 | Spur gear | | 1 | |
| 4 | 319F1526 | Screw shaft | | 1 | |
| 5 | 319F1518A | Screw shaft | | 1 | |
| 6 | 349F0215D | Side board | | 2 | |
| 7 | 319F1516A | Screw shaft | | 5 | |
| 8 | 405F8319233 | Name plate | | 2 | |
| 9 | 309F0022 | Washer | | 9 | |
| 10 | 326F1013004 | Sprocket | | 1 | 30-tooth, for RS25 |
| 11 | 327F1126002 | Spur gear | | 2 | |
| 12 | 362F0234 | Idler | | 2 | |
| 13 | 319F1528 | Screw shaft | | 2 | |
| 14 | 319F1514A | Rod | | 3 | |
| 15 | 313F0126A | Rod | | 3 | |
| 16 | 363F0572A | Guide plate | | 6 | |
| 17 | 313F0127 | Rod | | 10 | |
| 18 | 349F0215D | Side board | | 2 | |
| 19 | 319F1517A | Screw shaft | | 6 | |
| 20 | 388F3046 | Tension spring | | 6 | |
| 21 | 325FF105133 | Roller chain | | 133-links for RS25 | |
| 22 | 338F0150 | Idler | | 13 | |
| 23 | 326F1011211 | Sprocket | | 21 | 12-tooth, for RS25 |
| 24 | 326F1013604 | Sprocket | | 2 | 36-tooth, for RS25 |
| 25 | 319F1525 | Screw shaft | | 22 | |
| 26 | 362F0232 | Support | | 12 | |
| 27 | 322FC049 | Bearing | | 156 | |
| 28 | 388F3045 | Tension spring | | 6 | |
| 29 | 310F0137 | Screw shaft | | 12 | |
| 30 | 322FC050 | Bearing | | 4 | |
| 31 | 388F2072 | Coil spring | | 6 | |
| 32 | 388F2073 | Coil spring | | 55 | |
| 33 | 322FC049 | Bearing | | 156 | |
| 34 | 327F5154501 | Worm wheel | | 3 | |

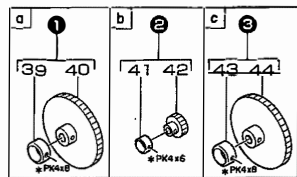
| Drawing | | Part Name | | Qty | Remarks |
|----------|-------------|------------------|--|-----|---------------|
| Ref. No. | Part No. | | | | |
| 35 | 338F8614184 | Ring | | 4 | |
| 36 | 322FC091 | Bearing | | 36 | |
| 37 | 322FC093 | Bearing | | 4 | |
| 38 | 338S0001 | Ring | | 5 | |
| 39 | 322FC092 | Bearing | | 14 | |
| 40 | 319F1538 | Screw shaft | | 1 | |
| 41 | 315F1370070 | C-Ring | | 2 | C-7 |
| 42 | 322F2002 | Bearing | | 2 | TW0715 |
| 43 | 338F0147 | Collar | | 2 | |
| 44 | 322F2006 | Bearing | | 2 | TW1225 |
| 45 | 334F2273 | Resin roller | | 9 | |
| 46 | 334F2251 | Resin roller | | 41 | |
| 47 | 334F2272 D | Resin roller | | 2 | |
| 48 | 334F5013B | Brush roller | | 1 | |
| 49 | 334F5014B | Brush roller | | 1 | |
| 50 | 327F1122006 | Spur gear | | 71 | |
| 51 | 338F8614182 | Ring | | 103 | |
| 52 | 338F8614182 | Ring | | 103 | |
| 53 | 327F1122401 | Spur gear | | 9 | |
| 54 | 327F8614142 | Spur gear | | 6 | |
| 55 | 338F8614182 | Ring | | 103 | |
| 56 | 327F1126001 | Spur gear | | 4 | |
| 57 | 338F0105 | Ring | | 8 | |
| 58 | 327F1122014 | Spur gear | | 1 | |
| 59 | 338F8614182 | Ring | | 103 | |
| ① | 327F5154502 | Worm Wheel assy | | 3 | |
| ② | 327F1122017 | Spur gear assy | | 71 | |
| ③ | 327F1122402 | Spur gear assy | | 9 | |
| ④ | 325F1122019 | Spur gear assy | | 6 | |
| ⑤ | 327F1126003 | Spur gear assy | | 4 | |
| ⑥ | 327F1122018 | Spur gear assy | | 1 | |
| ⑦ | 327F0011 | Spur gear assy | | 1 | |
| ● | 802F0138D | Washer rack assy | | 1 | Parts 1 to 59 |

Δx2 08.8.12 AM-967125 2522
 Δx2 08.1.14 AM-967028 2522 251

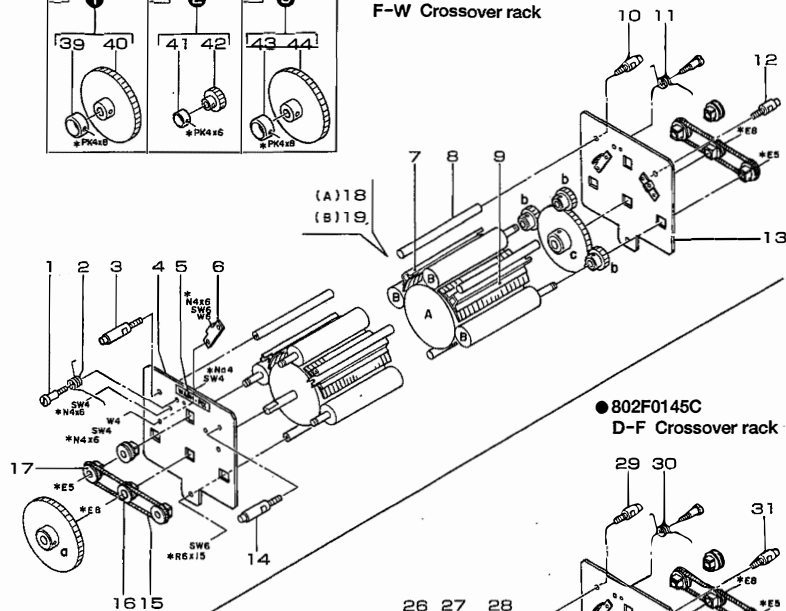


FIP7000

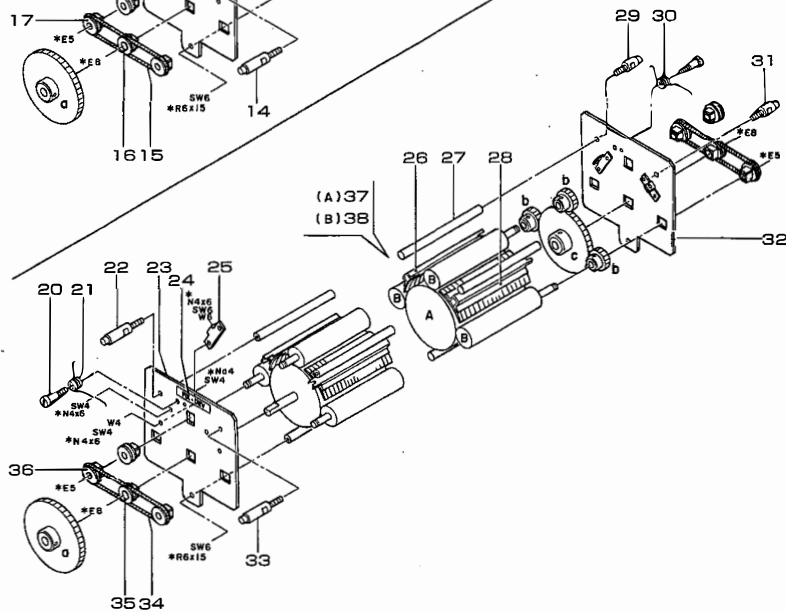
● F-W-D-F Crossover racks



● 802F0141C
F-W Crossover rack



● 802F0145C
D-F Crossover rack

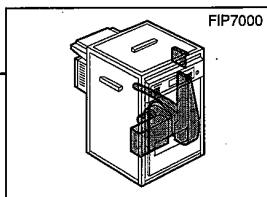


Drawing

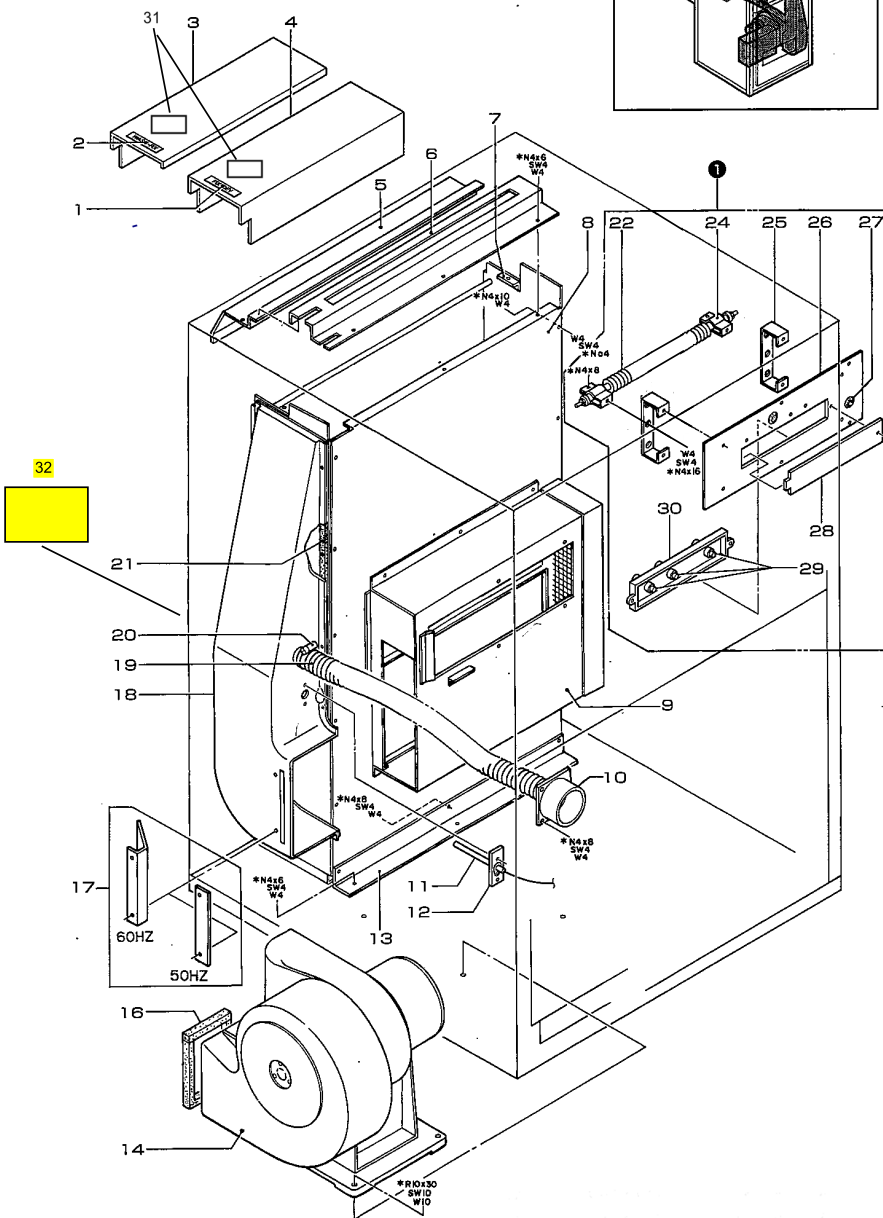
| Ref. No. | Part No. | Part Name | Qty | Remarks |
|----------|-------------|----------------|-----|-----------|
| 1 | 310F0137 | Screw shaft | 12 | |
| 2 | 388F3045 | Tension spring | 6 | |
| 3 | 319F1519A | Screw shaft | 5 | |
| 4 | 349F0217B | Side board | 4 | |
| 5 | 405F8319235 | Name plate | 2 | WASH-FIX. |
| 6 | 362F0231 | Support | 12 | |
| 7 | 363F0572A | Guide plate | 6 | F-W |
| 8 | 313F0126A | Rod | 10 | |
| 9 | 363F0572A | Guide plate | 6 | F-W |
| 10 | 319F1520A | Screw shaft | 5 | |
| 11 | 388F3046 | Tension spring | 6 | |
| 12 | 319F1520A | Screw shaft | 5 | F-W |
| 13 | 349F0217B | Side board | 4 | |
| 14 | 319G1519A | Screw shaft | 5 | F-W |
| 15 | 388F2072 | Tension spring | 6 | |
| 16 | 322FC092 | Bearing | 14 | |
| 17 | 322FC049 | Bearing | 156 | |
| 18 | 334F2275C | Resin roller | 1 | |
| 19 | 334F2275 | Resin roller | 16 | |
| 20 | 310F0137 | Screw shaft | 12 | |
| 21 | 388F3045 | Tension spring | 6 | |
| 22 | 319F1519A | Screw shaft | 5 | |
| 23 | 349F0217B | Side board | 4 | |
| 24 | 405F8319234 | Name plate | 2 | FIX-DEV. |
| 25 | 362F0231 | Support | 12 | |
| 26 | 363F0678A | Guide plate | 2 | D-F |
| 27 | 313F0128A | Rod | 10 | |

Drawing

| Ref. No. | Part No. | Part Name | Qty | Remarks |
|----------|-------------|---------------------|-----|------------------------------------|
| 28 | 363F0678A | Guide plate | 2 | D-F |
| 29 | 319F1520A | Screw shaft | 5 | |
| 30 | 388F3046 | Tension spring | 6 | |
| 31 | 319F1521A | Screw shaft | 1 | D-F |
| 32 | 349F0217B | Side board | 4 | |
| 33 | 319F1522A | Screw shaft | 1 | D-F |
| 34 | 388F2072 | Tension spring | 6 | |
| 35 | 322FC092 | Bearing | 14 | |
| 36 | 322FC049 | Bearing | 156 | |
| 37 | 334F2275C | Resin roller | 1 | |
| 38 | 334F2275 | Resin roller | 16 | |
| 39 | 338F0105 | Ring | 8 | |
| 40 | 327F1127201 | Spur gear | 2 | |
| 41 | 338F8614182 | Ring | 103 | |
| 42 | 327F8613321 | Spur gear | 6 | |
| 43 | 338F0105 | Ring | 8 | |
| 44 | 327F1126001 | Spur gear | 4 | |
| ● | 327F1127202 | Spur gear assy | 2 | |
| ● | 327F1122020 | Spur gear assy | 6 | |
| ● | 327F1126003 | Spur gear assy | 4 | |
| ● | 802F0145C | Crossover rack assy | 1 | D-F Parts 20 to 38, 39 to 44 |
| ● | 802F0141C | Crossover rack assy | 1 | F-W Parts 1 to 19, 39 to 44 |



FIP7000



32

60HZ
50HZ

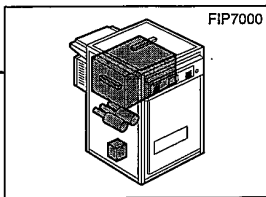
*R10x30
SWID
W10

● Dryer fan section

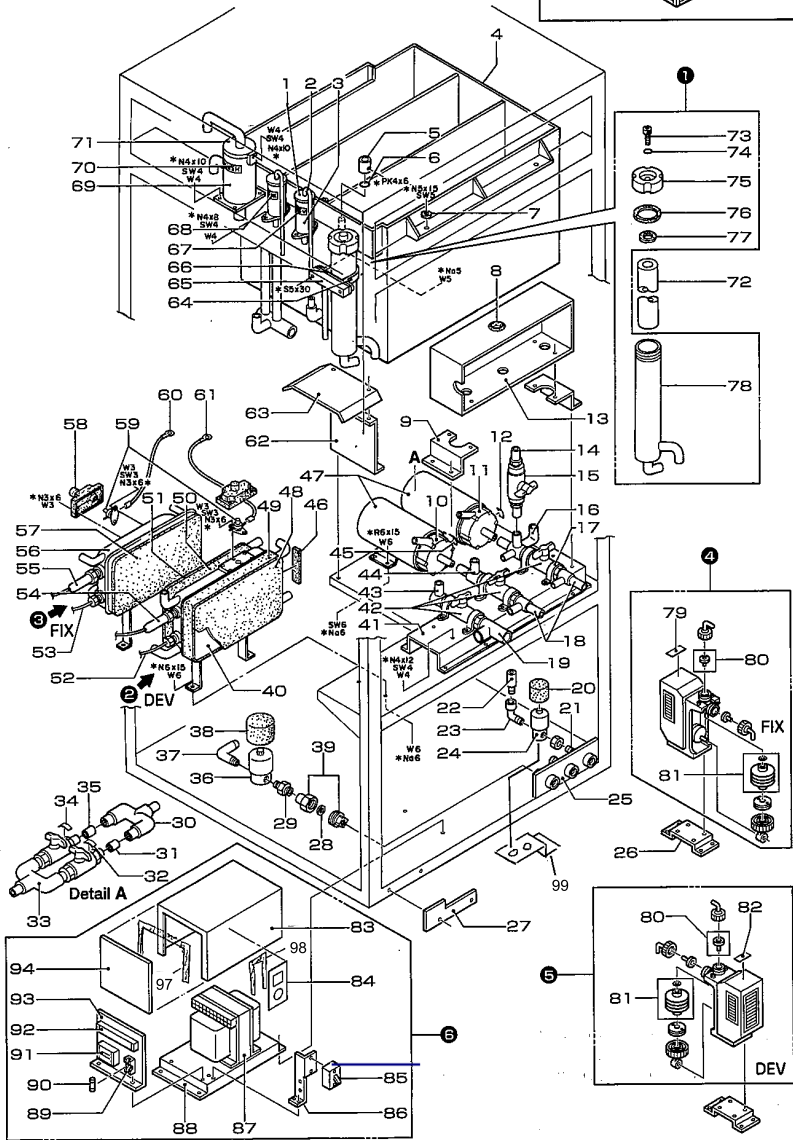
| Drawing | | Qty | Remarks |
|----------|---------------|-----|-------------|
| Ref. No. | Part No. | | |
| 1 | 405F8319234 | 1 | Name plate |
| 2 | 405F8319235 | 1 | Name plate |
| 3 | 350F0632 | 1 | Cover |
| 4 | 350F0631 | 1 | Cover |
| 5 | 345F0997 | 1 | Partition |
| 6 | 345F0996 | 1 | Partition |
| 7 | 362F0224 | 2 | Bracket |
| 8 | 345F0314 | 1 | Partition |
| 9 | 361F0040 | 1 | Chamber |
| 10 | 372F0171A | 1 | Coupling |
| 11 | 115H0184A | 1 | Thermistor |
| 12 | 356F1087B | 1 | Bracket |
| 13 | 356F1049 | 1 | Bracket |
| 14 | 119H0227C | 1 | Fan |
| 15 | 382F0008-0400 | 1 | Sponge tape |
| 16 | 382F0010-0610 | 1 | Sponge tape |
| 17 | 345F1780A | 1 | Plate |

| Drawing | | Qty | Remarks |
|----------|---------------|-----|-----------------|
| Ref. No. | Part No. | | |
| 17 | 345F1781A | 1 | Plate |
| 18 | 361F1157C | 1 | Chamber |
| 19 | 370FA001064 | 1 | Flexible hose |
| 20 | 316S2014 | 9 | Clamp |
| 21 | 382F0008-1830 | 1 | Sponge tape |
| 22 | 117F9285 | 3 | Heater |
| 23 | | | |
| 24 | 316F8337415 | 6 | Element holder |
| 25 | 356F11756 | 2 | Bracket |
| 26 | 350F5844A | 1 | Cover |
| 27 | 318S3077A | 2 | Grommet |
| 28 | 350F5904 | 1 | Cover |
| 29 | 115F1101A | 1 | Bi-metal switch |
| 30 | 356F11757 | 1 | Bracket |
| 31 | 405F0075 | 2 | Caution label |
| ● | 809F0037 | 1 | Heater assy |
| | 117H0240 | 1 | Heater assv |
| 32 | 405S0083 | 1 | Caution label |

1/2 Δ 10.11.22 AM-88882 7122
 1/2 Δ 09.12.21 AM-767132 7122
 1/2 Δ 09.12.17 AM-888215 7122
 1/2 Δ 08.06.18 AM-767123 7122
 1/2 Δ 08.11.13 AM-767118 7122
 1/2 Δ 05.10.13 AM-986109 7122



FIP7000

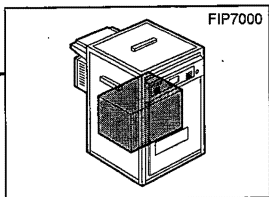


● Circulation line

| Ref. No. | Part No. | Part Name | Qty | Remarks |
|----------|-------------|-----------------|-----|---------|
| 1 | 350F8618151 | Lid | 2 | |
| 2 | 371F8318212 | Nozzle | 2 | |
| 3 | 369F8318214 | Canister | 2 | |
| 4 | 359F0386C | Tank | 1 | |
| 5 | 371F0138A | Nozzle | 1 | |
| 6 | 375F0014 | O-ring | 1 | P-15 |
| 7 | 309F0022 | Washer | 9 | |
| 8 | 318F3116 | Grommet | 1 | |
| 9 | 356F10871 | Bracket | 2 | |
| 10 | 133H0338B | Pump Fix. | 1 | Fix. |
| 11 | 133H0337B | Pump Dev. | 1 | Dev. |
| 12 | 405F8319231 | Name plate | 4 | DEV. |
| 13 | 350F5845C | Cover | 1 | |
| 14 | 372F1617 | Coupling | 2 | |
| 15 | 374S1002 | Ball valve | 4 | |
| 16 | 372F1644 | Coupling | 1 | |
| 17 | 316F7002 | Band | 6 | |
| 18 | 372F1648 | Coupling | 2 | |
| 19 | 372F1646 | Coupling | 1 | |
| 20 | 350F2897 | Cover | 1 | |
| 21 | 371F0812 | Nozzle | 1 | |
| 22 | 371F0813 | Nozzle | 1 | |
| 23 | 372F1920 | Elbow | 1 | |
| 24 | 134H0288 | Solenoid valve | 1 | |
| 25 | 356F10880B | Bracket | 1 | |
| 26 | 357F1540 | Plate | 2 | |
| 27 | 347F2062A | Spacer | 1 | |
| 28 | 375F0059A | Gasket | 1 | |
| 29 | 372F0088 | Coupling | 1 | |
| 30 | 372F0232 | Elbow joint | 1 | |
| 31 | 374F3031 | Orifice | 1 | 11min |
| 32 | 405F0495 | Name plate | 1 | 11min |
| 33 | 372F0231A | Elbow joint | 1 | |
| 34 | 405F0494 | Name plate | 1 | 5min |
| 35 | 374F3029 | Orifice | 1 | 5min |
| 36 | 134H256A | Solenoid valve | 1 | |
| 37 | 372F0230 | Elbow | 1 | |
| 38 | 350F2338 | Cover | 1 | |
| 39 | 372F0089 | Coupling | 1 | |
| 40 | 379F0370A | Heat exchanger | 1 | DEV. |
| 41 | 357F1541A | Plate | 1 | |
| 42 | 374S1002 | Valve | 1 | |
| 43 | 372F1645 | Coupling | 1 | |
| 44 | 372F1647 | Coupling | 1 | |
| 45 | 405F8319232 | Name plate | 1 | FIX. |
| 46 | 385F0174 | Insulator | 2 | |
| 47 | 350F0173 | Cover | 2 | |
| 48 | 385F0160 | Insulator | 2 | |
| 49 | 385F0175 | Insulator | 1 | |
| 50 | 385F0176 | Insulator | 1 | |
| 51 | 385F0161 | Insulator | 1 | |
| 52 | 115H0182 C | Thermistor Dev. | 1 | |

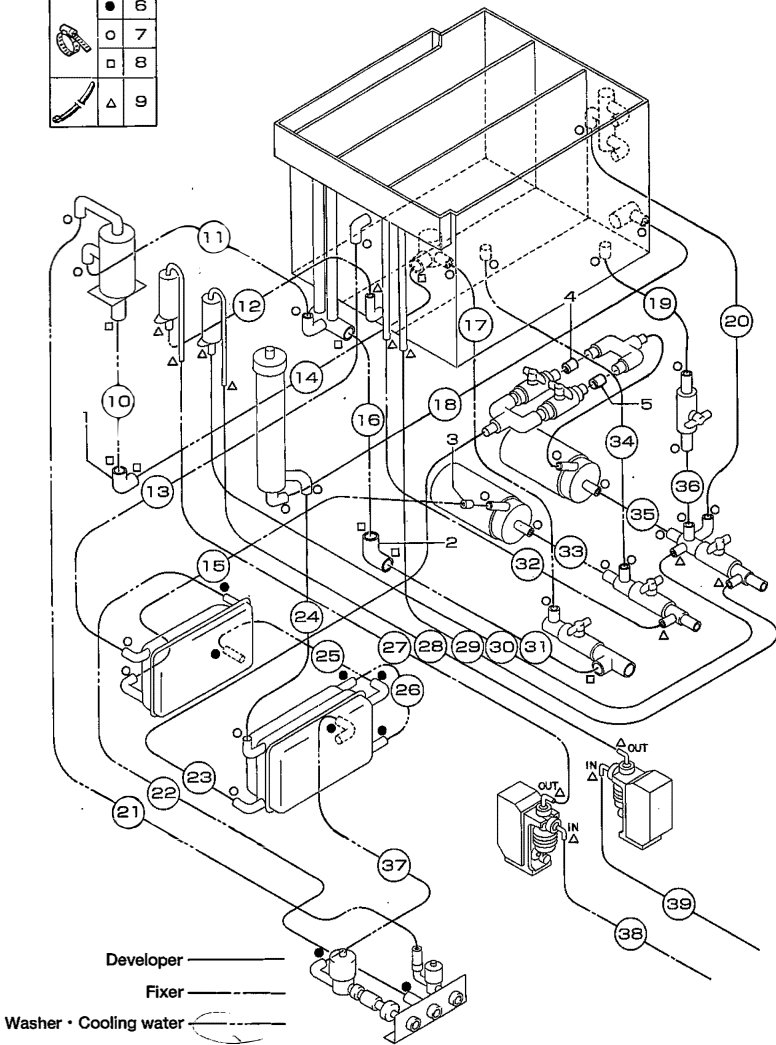
Drawing

| Ref. No. | Part No. | Part Name | Qty | Remarks |
|----------|-------------|----------------------------|-----|----------------------|
| 53 | 115H0183 C | Thermistor Fix. | 1 | |
| 54 | 117H0202C | Heater | 1 | DEV. |
| 55 | 117H0203C | Heater | 1 | FIX. |
| 56 | 379F0371A | Heat exchanger | 1 | FIX. |
| 57 | 385F0160 | Insulator | 2 | |
| 58 | 350F0010 | Cover | 2 | |
| 59 | 115F1104 A | Bi-metal switch | 2 | |
| 60 | 136H3989B | Cable | 1 | Fix. |
| 61 | 136H3988B | Cable | 1 | Dev. |
| 62 | 356F11239A | Bracket | 1 | |
| 63 | 350F5996A | Cover | 1 | |
| 64 | 316F7020 | Band | 1 | |
| 65 | 347F0255 | Spacer | 1 | |
| 66 | 347F0254 | Spacer | 1 | |
| 67 | 405F8319231 | Name plate | 4 | DEV. |
| 68 | 405F8319232 | Name plate | 4 | FIX. |
| 69 | 359F0074 A | Canister | 1 | |
| 70 | 405F8319233 | Name plate | 2 | WASH |
| 71 | 343F0024 | Lid | 1 | |
| 72 | 376F0250 | Filter element | 1 | |
| 73 | 308F8318148 | Screw | 1 | |
| 74 | 375S0001 | O-ring | 1 | P-6 |
| 75 | 350F0625A | Lid | 1 | |
| 76 | 375F0076 | Gasket | 1 | |
| 77 | 375F8818146 | Gasket | 1 | |
| 78 | 360F0126 | Canister | 1 | |
| 79 | 405F8319232 | Name plate | 4 | FIX. |
| 80 | 133F1452 | Poppet valve | 2 | |
| 81 | 133F1450 | Bellows | 2 | |
| 82 | 405F8319231 | Name plate | 4 | DEV. |
| 83 | 350F5848A | Cover | 1 | |
| 84 | 350F10181A | Cover | 1 | |
| 85 | 128F3142 | Breaker | 1 | |
| 86 | 356F10877 A | Bracket | 1 | |
| 87 | 108F0240C | Transformer | 1 | |
| 88 | 357F1542B | Support | 1 | |
| 89 | 137F2103 | Fuse holder | 1 | |
| 90 | 137F1174 | Fuse | 1 | |
| 91 | 135F3141 | Terminal board | 1 | TB1 |
| 92 | 135F3142 | Terminal board | 1 | TB2 |
| 93 | 356F10874A | Bracket | 1 | |
| 94 | 350F5850A | Cover. | 1 | |
| ● | 376F0033 | Filter assy | 1 | |
| ● | 379F0105B | Heat exchanger assy (DEV.) | 1 | Parts 40,46,48 to 51 |
| ● | 379F0104B | Heat exchanger assy (FIX.) | 1 | Parts 56,57 |
| ● | 133H0336A | Fix. Pump assy | 1 | KBM3YU4 |
| ● | 133H0335A | Dev. Pump assy | 1 | KBM3YU4 |
| ● | 108H0004C | Transformer assy | 1 | |
| Or 85 | 128S1070 | Breaker | 1 | |
| Or 90 | 137S1315 | Fuse | 1 | |
| 97 | 382F10022 | Tape | 1 | 30M Roll |
| 98 | 382F10022 | Tape | 1 | 30M Roll |
| 99 | 356F11763 | Bracket | 1 | |



FIP7000

| Clamps | |
|--------|---|
| | 6 |
| | 7 |
| | 8 |
| | 9 |



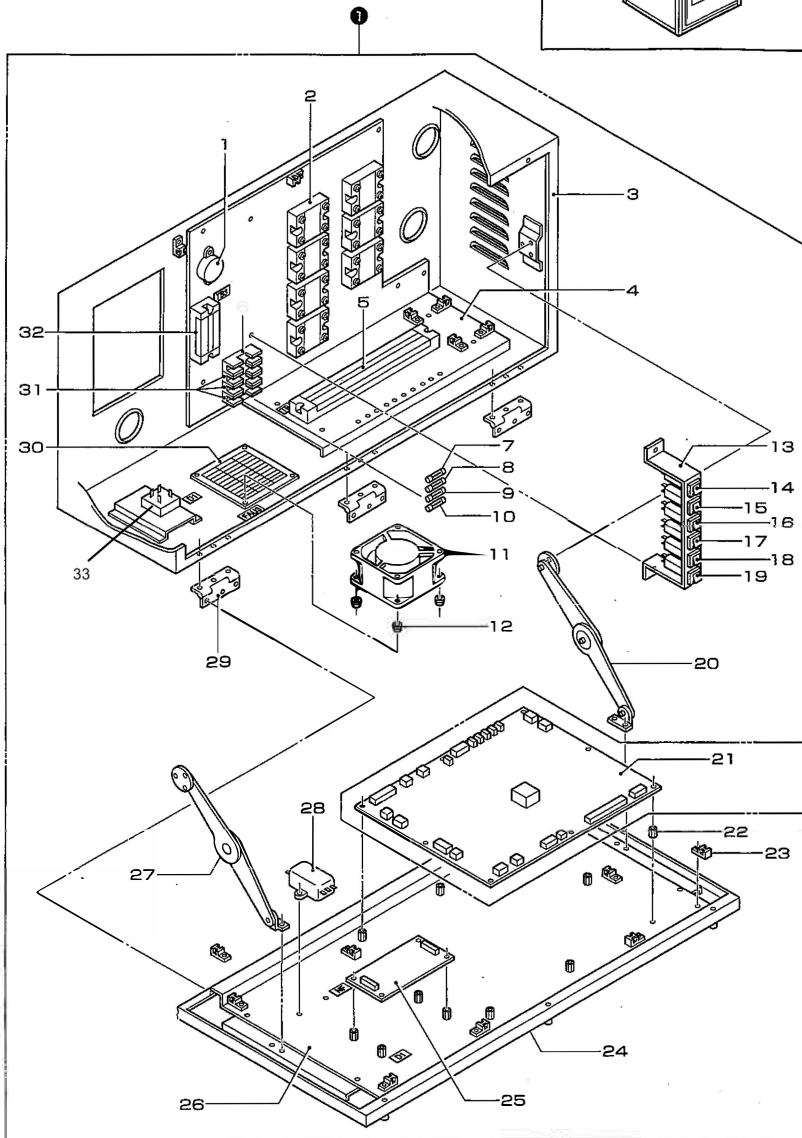
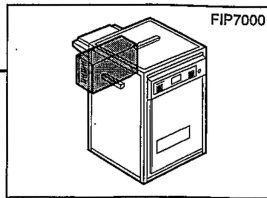
● Piping line

Drawing

| Ref. No. | Part No. | Part Name | Qty | Remarks |
|----------|-------------|-----------|-----|---------|
| 1 | 372F8618213 | Elbow | 2 | |
| 2 | 372F8618213 | Elbow | 2 | |
| 3 | 374F8618222 | Orifice | 1 | |
| 4 | 374F3031 | Orifice | 1 | 11min |
| 5 | 374F3029 | Orifice | 1 | 5min |
| 6 | 316S2011 | Clamp | 10 | ND-8 |
| 7 | 316S2012 | Clamp | 28 | ND-10 |
| 8 | 316S2014 | Clamp | 9 | ND-20 |
| 9 | 316S1001 | Wire tie | 14 | |

Special Drawing

| Note | Ref.No. | Part No. | Part Name | Qty | Remarks |
|------|---------|-------------|-----------|-----|---------------|
| ① | 10 | 370S132E000 | | 1 | 35cm |
| ① | 11 | 370S112C000 | | 1 | 45cm |
| ① | 12 | 370S112C000 | | 1 | 29cm |
| ① | 13 | 370S119E000 | | 1 | 35cm |
| ① | 14 | 370S112C000 | | 1 | 33cm |
| ① | 15 | 370S119E000 | | 1 | 38cm |
| ① | 16 | 370S132E000 | | 1 | 37cm |
| ① | 17 | 370S112C000 | | 1 | 38cm |
| ① | 18 | 370S119E000 | | 1 | 80cm |
| ① | 19 | 370S119E000 | | 1 | 6.5cm |
| ① | 20 | 370S119E000 | | 1 | 48cm |
| ① | 21 | 370S112C000 | | 1 | 146cm |
| ① | 22 | 370FG107000 | | 1 | 85cm (Black) |
| ① | 23 | 370S119E000 | | 1 | 70cm |
| ① | 24 | 370S119E000 | | 1 | 7cm |
| ① | 25 | 370FG107000 | Hose | 1 | 33cm (Black) |
| ① | 26 | 370FG107000 | | 1 | 30cm (Black) |
| ① | 27 | 370S107B000 | | 1 | 140cm |
| ① | 28 | 370S107B000 | | 1 | 140cm |
| ① | 29 | 370S119E000 | | 1 | 66cm |
| ① | 30 | 370S112C000 | | 1 | 120cm |
| ① | 31 | 370S132E000 | | 1 | 37cm |
| ① | 32 | 370S119E000 | | 1 | 57cm |
| ① | 33 | 370S119E000 | | 1 | 5cm |
| ① | 34 | 370S119E000 | | 1 | 37cm |
| ① | 35 | 370S119E000 | | 1 | 5cm |
| ① | 36 | 370S119E000 | | 1 | 6.5cm (Black) |
| ① | 37 | 370FG107000 | | 1 | 71cm |
| ① | 38 | 370S107B000 | | 1 | 30cm |
| ① | 39 | 370S107B000 | | 1 | 30cm |

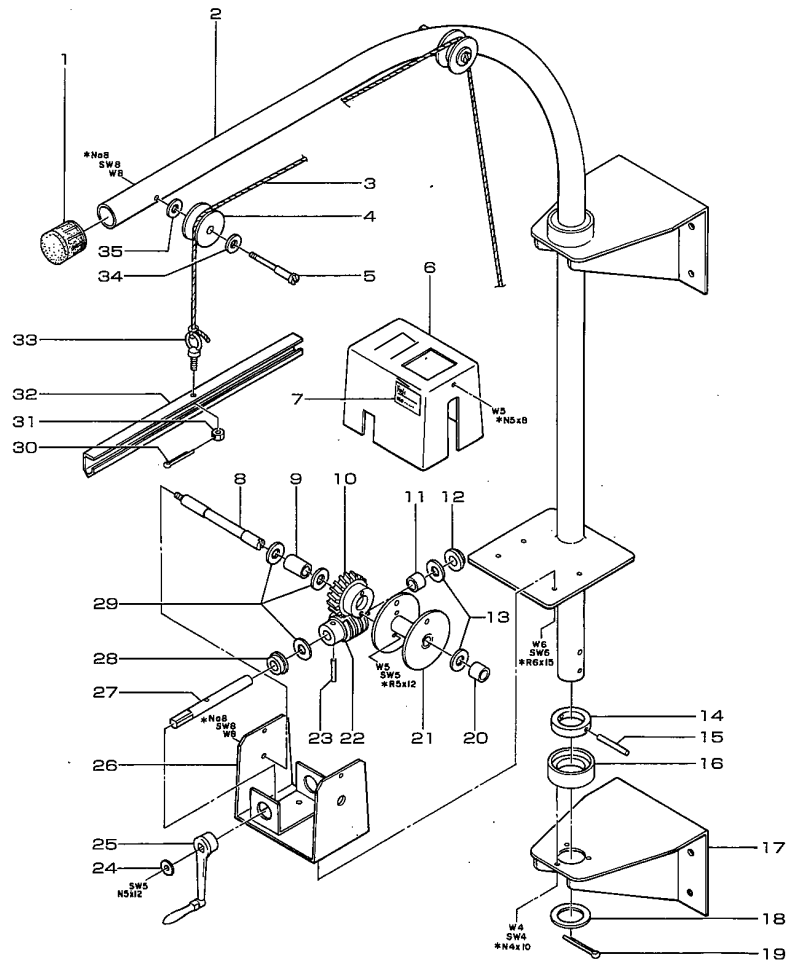
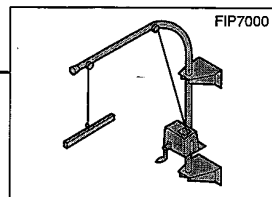


● Control box

| Drawing | | Part Name | Qty | Remarks |
|----------|-----------|----------------|-----|---------|
| Ref. No. | Part No. | | | |
| 1 | 121H0012 | Buzzer | 1 | |
| 2 | 102S7042 | SSR | 7 | |
| 3 | 358F0638A | Box | 1 | |
| 4 | 353F0323A | Support | 1 | |
| 5 | 135F3138 | Terminal board | 1 | TB4 |
| | | | | |
| 7 | 137F1168 | Fuse | 1 | F1 |
| 8 | 137F1173 | Fuse | 1 | F2 |
| 9 | 137F1059 | Fuse | 1 | F3 |
| 10 | 137F1174 | Fuse | 1 | F4 |
| 11 | 119H0226A | Fan | 1 | FAN3 |
| 12 | 322F2042 | Bearing | 4 | |
| 13 | 356F10850 | Bracket | 1 | |
| 14 | 128FA064 | NFB | 4 | NFB1 |
| 15 | 128FA064 | NFB | 4 | NFB2 |
| 16 | 128FA063 | NFB | 2 | NFB3 |
| 17 | 128FA064 | NFB | 4 | NFB4 |
| Or | | | | |
| 7 | 137S1334 | Fuse | 1 | F1 |
| 8 | 137S1316 | Fuse | 1 | F2 |
| 9 | 137S1332 | Fuse | 1 | F3 |
| 10 | 137S1315 | Fuse | 1 | F4 |

Drawing

| Ref. No. | Part No. | Part Name | Qty | Remarks |
|---------------------------|-------------|----------------|-----|---------|
| 18 | 128FA063 | NFB | 2 | NFB5 |
| 19 | 128FA064 | NFB | 4 | NFB6 |
| 20 | 131F0063 | Rod | 1 | |
| 21 | 113H0255B | Board assy | 1 | MUD |
| 22 | 347F0728 | Spacer | 12 | |
| 23 | 316F1256 | Lock | 22 | |
| 24 | 350F5837A | Cover | 1 | |
| 25 | 125F0161A | Board | 1 | |
| 26 | 353F0324 | Support | 1 | |
| 27 | 313F0062 | Rod | 1 | |
| 28 | 138F0021 | Noise filter | 1 | NF1 |
| 29 | 314F0206 | Bracket | 3 | |
| 30 | 376F0116 | Filter | 1 | |
| 31 | 137F2110 | Fuse holder | 1 | |
| 32 | 135F3139 | Terminal board | 1 | TB3 |
| ● 814H0208D Control box 1 | | | | |
| 33 | 100SS25VB10 | Diode bridge | 1 | |
| | or | | | |
| | 100SS25VB20 | Diode bridge | 1 | |



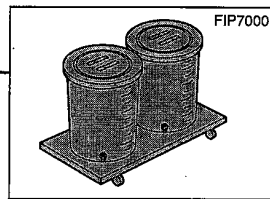
● Rack hoist

| Ref. No. | Part No. | Part Name | Qty | Remarks |
|----------|-------------|----------------|-----|---------|
| 1 | 367F0038 | Rubber cup | 1 | |
| 2 | 355F0141 | Muster support | 1 | |
| 3 | 383F0003 | Rope | 1 | |
| 4 | 334F3088 | Pulley | 2 | |
| 5 | 319F1441 | Rod | 2 | |
| 6 | 350F0754 | Cover | 1 | |
| 7 | 405S0003 | Name plate | 1 | |
| 8 | 319F1439 | Rod | 1 | |
| 9 | 338F0114 A | Collar | 1 | |
| 10 | 327F5302001 | Worm wheel | 1 | |
| 11 | 338F0113 A | Collar | 1 | |
| 12 | 322FC075 | Bearing | 2 | |
| 13 | 322F2032 | Slide bearing | 5 | |
| 14 | 338F0173 | Ring | 2 | |
| 15 | 310F1000558 | Lock pin | 2 | |
| 16 | 322FC101 | Bearing | 2 | |
| 17 | 362F0272 | Bracket | 2 | |
| 18 | 309F0026 | Washer | 1 | |
| 19 | 310F4000460 | Pin | 1 | φ 4X60 |

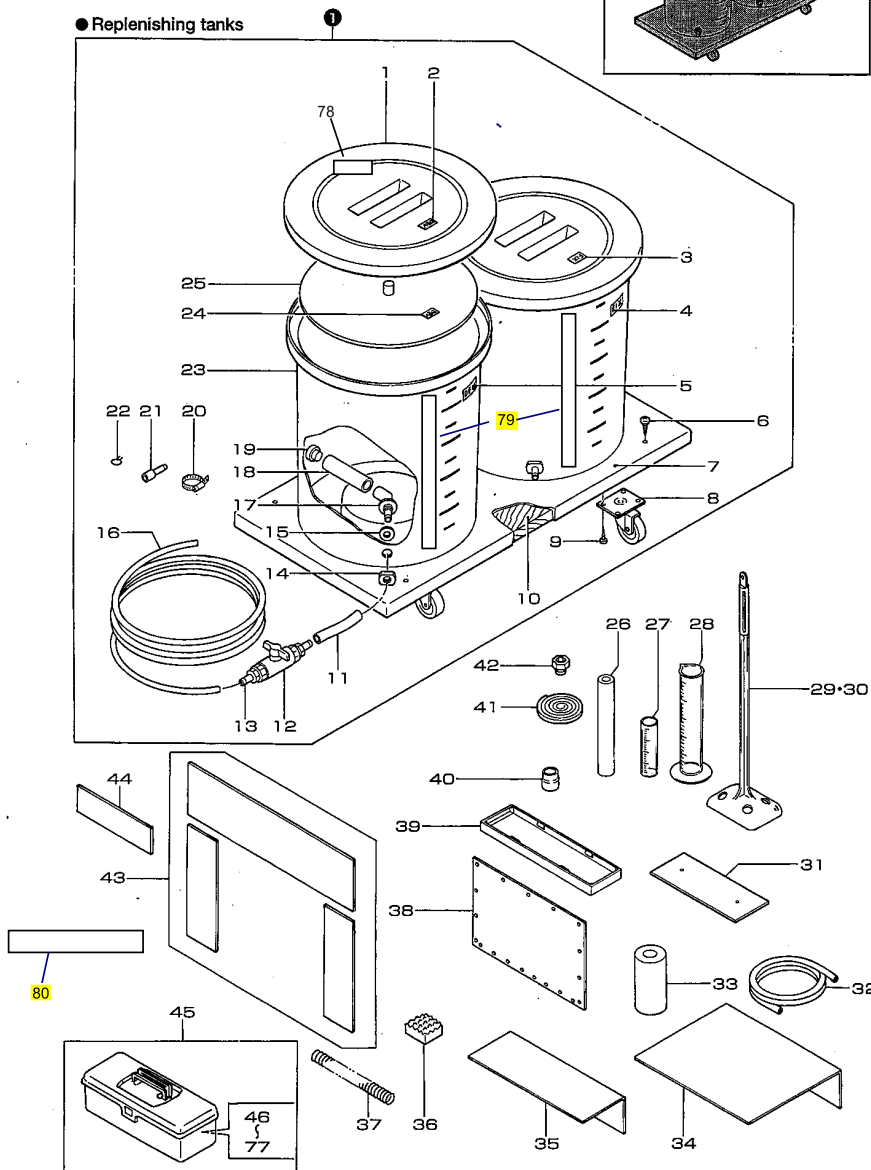
Drawing

| Ref. No. | Part No. | Part Name | Qty | Remarks |
|----------|-------------|-----------------|-----|------------|
| 20 | 338F0115 A | Collar | 1 | |
| 21 | 333F0012 | Reel | 1 | |
| 22 | 327F4302R01 | Worm | 1 | |
| 23 | 310F2000536 | Taper pin | 1 | φ 5X36 |
| 24 | 309F0022 | Washer | 1 | |
| 25 | 339F0003 A | Handle | 1 | SC6S-RA20 |
| 26 | 356F0879 | Bracket | 1 | |
| 27 | 319F1616 | Shaft | 1 | |
| 28 | 322FC075 | Bearing | 2 | |
| 29 | 322F2032 | Slide bearing | 5 | |
| 30 | 310F4000216 | Pin | 1 | φ 2X16 |
| 31 | 305S1110008 | Nut | 4 | M8 |
| 32 | 343F0025 | Hook | 1 | |
| 33 | 304F0009 | Bolt | 1 | M8 |
| 34 | 309F0120012 | Washer | 2 | M12 |
| 35 | 309S0120008 | Washer | 2 | M8 |
| 36 | 405F10034 | Name Plate | 1 | |
| ● | 800F0002 B | Rack hoist assy | 1 | Parts 1~35 |

IX Δ AH-967107 2/2



● Replenishing tanks



● Replenishing tanks

| Drawing Ref. No. | Part No. | Part Name | Qty | Remarks |
|------------------|---------------|--------------|-----|---------|
| 1 | 350F8733131A | Lid | 2 | |
| 2 | 405F8369228 | Name plate | 3 | DEV. |
| 3 | 405F8369229 | Name plate | 3 | FIX. |
| 4 | 405F8369229 | Name plate | 3 | FIX. |
| 5 | 405F8369228 | Name plate | 3 | DEV. |
| 6 | 307F1005116 A | Screw | 14 | |
| 7 | 350F8733312 | Cover | 1 | |
| 8 | 367F0022 | Caster | 4 | |
| 9 | 308F0003 | Fixing screw | 16 | |
| 10 | 357F8733311 | Board | 1 | |
| 11 | 370S112E100 | Hose | 2 | 10cm |
| 12 | 374S1002 | Valve | 2 | |
| 13 | 372F1673 | Coupling | 4 | |
| 14 | 308F0096 | Nut | 2 | |
| 15 | 375F8733323 | Gasket | 2 | |

● Accessories

| Drawing Ref. No. | Part No. | Part Name | Qty | Remarks |
|------------------|-------------|----------------|-----|---------|
| 26 | 376F0250 | Filter element | 1 | DEV. |
| 27 | 396F6002 | Graduate | 1 | 200ml |
| 28 | 396F6003 | Graduate | 1 | 500ml |
| 29 | 341F0121 A | Mixing rod | 1 | DEV. |
| 30 | 341F0122 A | Mixing rod | 1 | FIX. |
| 31 | 345F1780A | Partition | 1 | |
| 32 | 370S119C300 | Hose | 1 | 3m |
| 33 | | Filter element | | |
| 34 | 350F0638 | Cover | 1 | |
| 35 | 350F0629 | Cover | 1 | |

● Tool box contents

| Drawing Ref. No. | Part No. | Part Name | Qty | Remarks |
|------------------|-----------------|------------------|-----|---------|
| 45 | 890F0011A | Tool box | 1 | |
| 47 | 890F0002 | Wrench | 1 | |
| 48 | 890F0003 | Plier | 1 | |
| 49 | 890F0015 | E-ring remover | 1 | |
| 50 | 890F0005 | Hexagonal wrench | 1 | |
| 51 | 890F0020A | Wrench | 1 | |
| 52 | General product | Phillips driver | 1 | |
| 53 | General product | Screw driver | 1 | |
| 54 | 322FC091 | Bearing | 1 | |
| 55 | 322FC092 | Bearing | 1 | |
| 56 | 322FC093 | Bearing | 1 | |
| 57 | 322FC094 | Bearing | 1 | |
| 58 | 322FC049 | Bearing | 5 | |
| 59 | 137F1168 | Fuse | 1 | |
| Or 137S1334 | | | | |
| 60 | 137F1173-- | Fuse | 1 | |
| Or 137S1316 | | | | |

Drawing

| Ref. No. | Part No. | Part Name | Qty | Remarks |
|----------|--------------|----------------|-----|---------|
| 16 | 370S112E100 | Hose | 2 | 500cm |
| 17 | 371F8733322 | Nozzle | 2 | |
| 18 | 376S0001 | Filter element | 2 | |
| 19 | 317F8736161 | Plug | 2 | |
| 20 | 316F2035 | Clamp | 2 | MC-6 |
| 21 | 372F8355331 | Connector | 2 | |
| 22 | 316F2015 | Clamp | 4 | |
| 23 | 359F8733321 | Tank | 2 | |
| 24 | 405F8369228 | Name plate | 3 | DEV. |
| 25 | 381F8733151A | Floating lid | 2 | |

- 826F0028 Replenishing tank assy Parts 1 to 25
- 826F873310 Tank stand assy 1 Parts 6 to 10
- 826F8733320 B Tank assy 2 Parts 1,11,14,15,
- 78 405S0075 Caution label 2 17 to 19,23,25
- 79 405F3014 Name Plate 2

Drawing

| Ref. No. | Part No. | Part Name | Qty | Remarks |
|----------|----------------|------------------|------|---------|
| 36 | 403F0001 | Washing sponge | 1 | |
| 37 | 370FA005150 | Flexible hose | 1.5m | |
| 38 | 345F0318A | Partition | 1 | |
| 39 | 373F0028 | Tray | 1 | |
| 40 | 372F0101 | Coupling | 1 | |
| 41 | 382F0067A-M002 | Sponge tape | 3 | |
| 42 | 318F0062 | Bushing | 1 | |
| 43 | 821F0009 | Partition | 1 | |
| 44 | 350F0639 | Protection cover | 1 | |

Drawing

| Ref. No. | Part No. | Part Name | Qty | Remarks |
|----------|-------------|--------------|-----|---------|
| 61 | 137F1059 | Fuse | | |
| 62 | 137F1174 | Fuse | | |
| 63 | 315S3370030 | E-ring | 2 | E3 |
| 64 | 315S3370050 | E-ring | 202 | E5 |
| 65 | 315S3370080 | E-ring | 13 | E8 |
| 66 | 388F2069 | Coil spring | 5 | 103 |
| 67 | 388F2073 | Coil spring | 5 | 89 |
| 68 | 301S2050406 | Fixing screw | 10 | M4X6 |
| 69 | 308S1050408 | Fixing screw | 10 | M4X8 |
| 70 | 303S2050408 | Fixing screw | 10 | M4X8 |
| 71 | 316S2018 | Clamp | 2 | ND52 |
| 72 | 316S2012 | Clamp | 2 | ND10 |
| 73 | 307F1414116 | Screw | 11 | |
| 74 | 347F8311184 | Plate | 4 | |
| 75 | 339S0001 | Handle | 1 | |
| 76 | 327F2151311 | Helical gear | 1 | |
| 77 | 374F2015 | Flow valve | 1 | |
| 80 | 385F0162A | Insulator | 6 | |
| Or | | | | |
| 61 | 137S1332 | Fuse | | |
| 62 | 137S1315 | Fuse | | |