

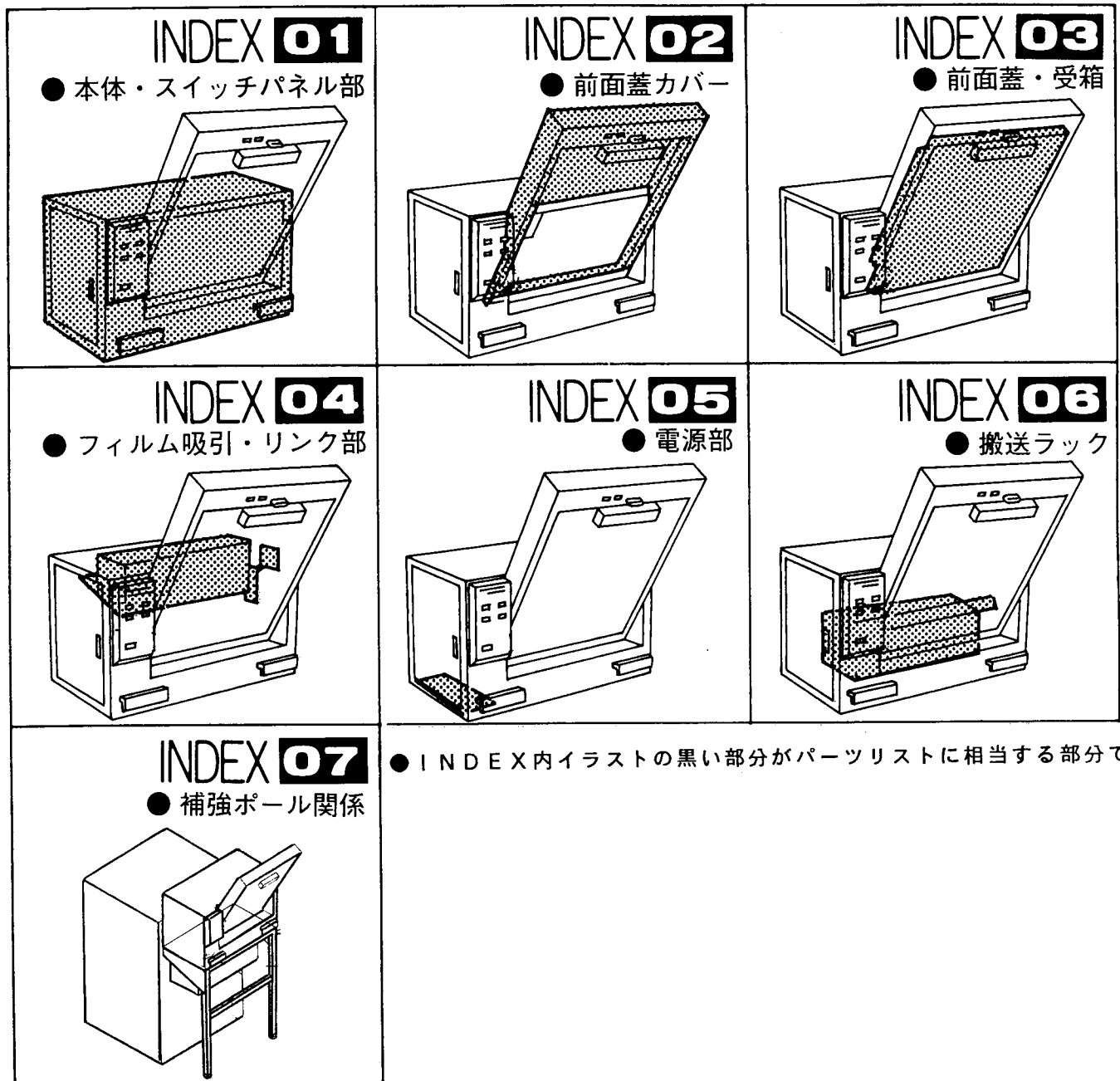


FUJIFILM

IX AUTOFEEDER

PARTS LIST

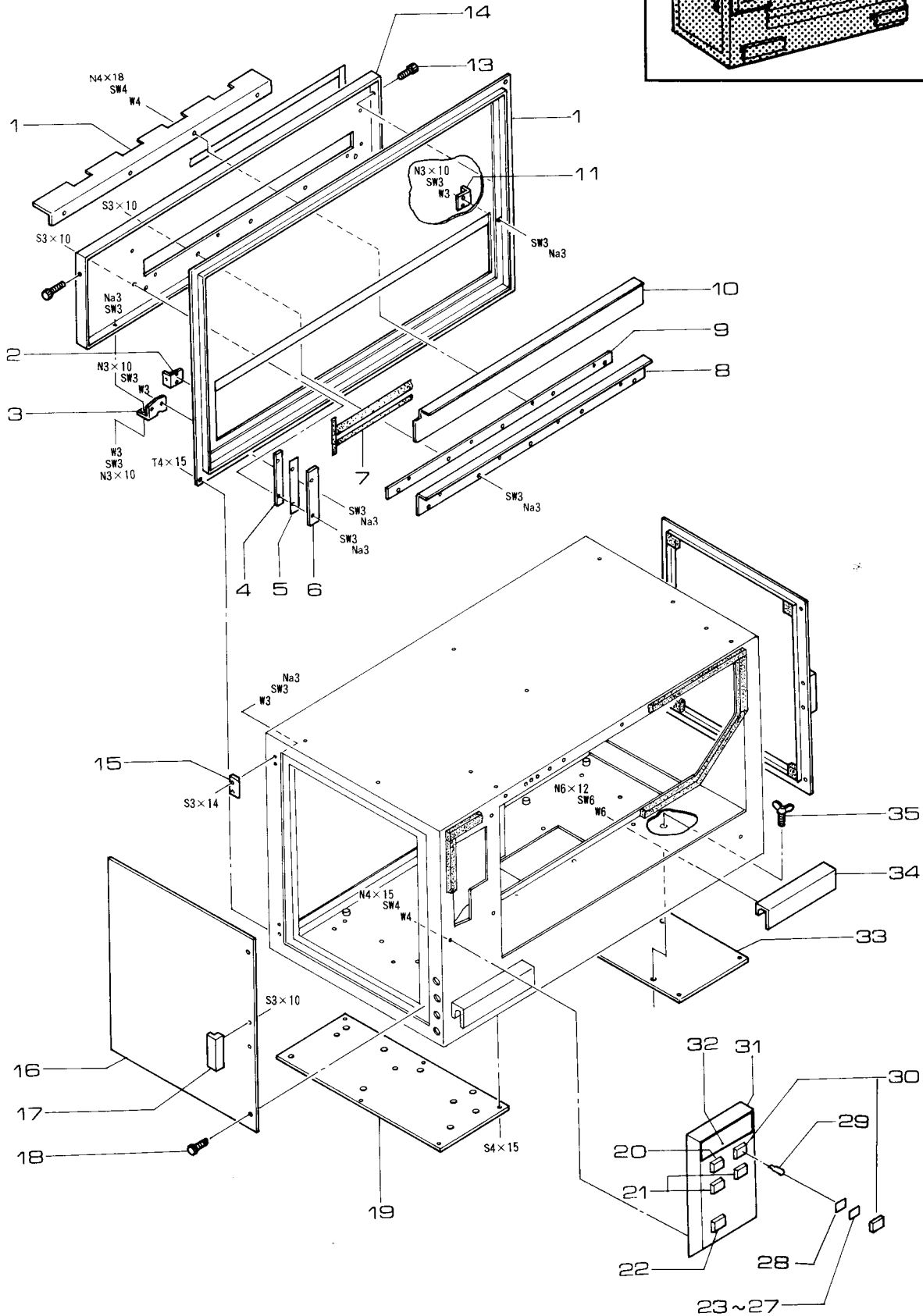
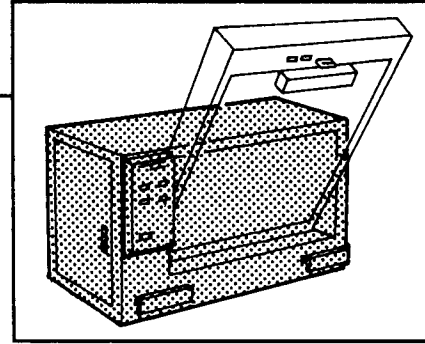
FUJI NDT SYSTEMS
1055 STEVENSON COURT
BUILDING 105
ROSELLE, ILLINOIS 60172



■ 使い方

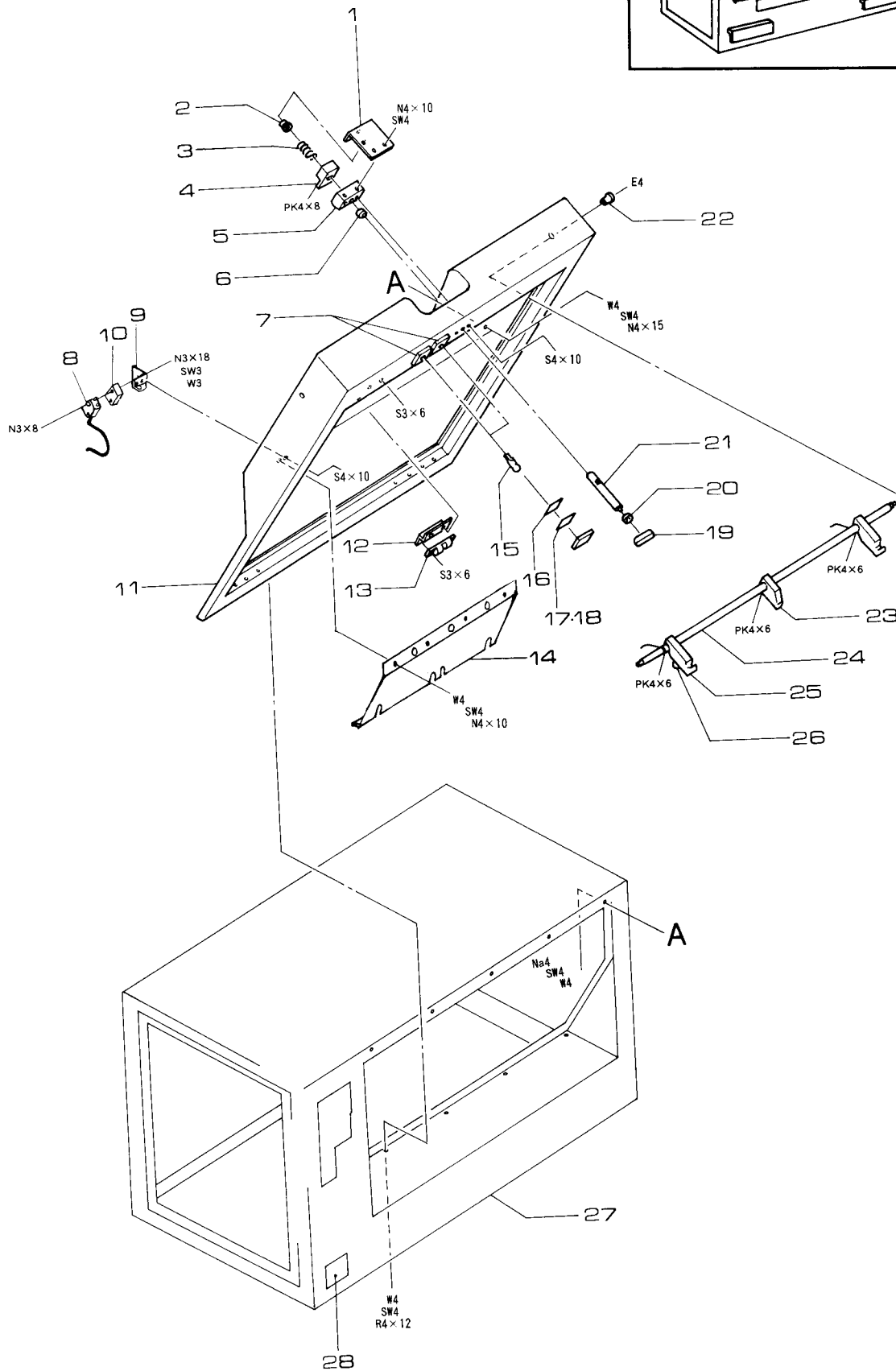
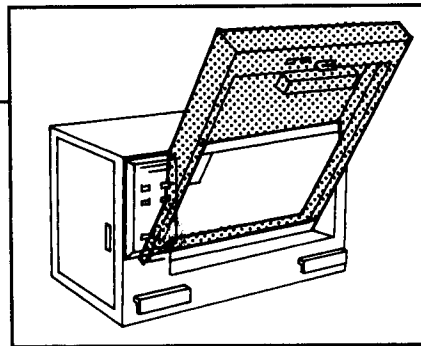
- INDEX 01: MAIN BODY - SWITCH PANEL
- INDEX 02: FRONT LID COVER
- INDEX 03: FRONT LID - RECEIVE BOX
- INDEX 04: FILM SUCTION LINK
- INDEX 05: POWER SUPPLY
- INDEX 06: TRANSPORTATION RACK
- INDEX 07: STAND

MAIN BODY - SWITCH PANEL



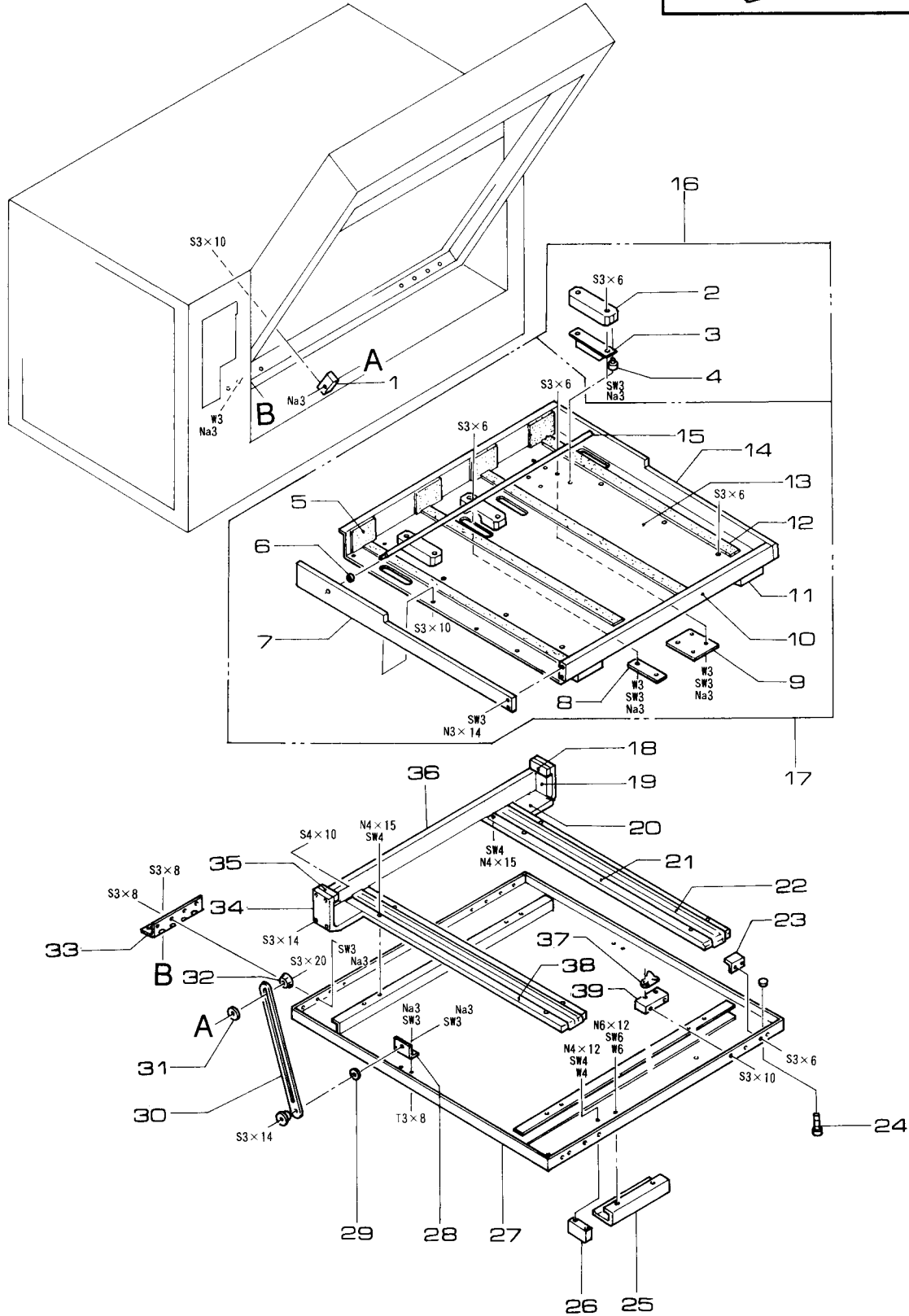
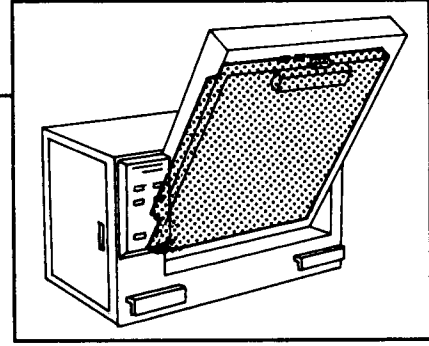
Page	NO.	Part Number	Description	Quantity	Remarks
01	1	363F0575	Guide	1	
01	2	356F0262	Bracket	2	
01	3	314F0010	Hinge	2	
01	4	363F0106	Guide	2	
01	5	363F0107	Guide	2	
01	6	401F0010	Pressure Plate	2	
01	7	382F0006-M010	Gasket		2m
01	8	401F0024	Pressure Plate	1	
01	9	363F0105	Guide	1	
01	10	398F0001	Shutter	1	
01	11	356F0262	Bracket	2	
01	12	350F0142A	Cover	1	
01	13	340F0122	Thumbscrew	2	
01	14	350F0143A	Cover	1	
01	15	401F0001	Pressure Plate	4	
01	16	350F0045A	Cover	2	
01	17	340F0002	Handle	2	
01	18	340F0056	Thumbscrew	4	
01	19	346F0022	Support plate	1	
01	20	128F9270	Switch	1	AH164 - TLR11F
01	21	126F9098	Lamp	4	AH164 - ZTRF
01	22	128F9271	Switch	2	AH164-TL5R11F
01	23	405F0058	Display	1	"STOP"
01	24	405F0106	Display	1	"OPEN"
01	25	405F0060	Display	1	"2 SHEETS"
01	26	405F0061	Display	1	"POWER"
01	27	405F0064	Display	1	Blank
01	28	376F0105	Light Filter	7	SLFN #6
01	29	122S0010	Lamp	1	AHX - 610
01	30	128F9271	Switch	2	AH164-TL5R11F
01	31	405F0098B	Display Panel	1	
01	32		Product Name Plate	1	
01	33	346F0023	Support plate	1	
01	34	340F0054	Handle	2	
01	35	304S4000415	Wing Bolt	2	

FRONT LID COVER



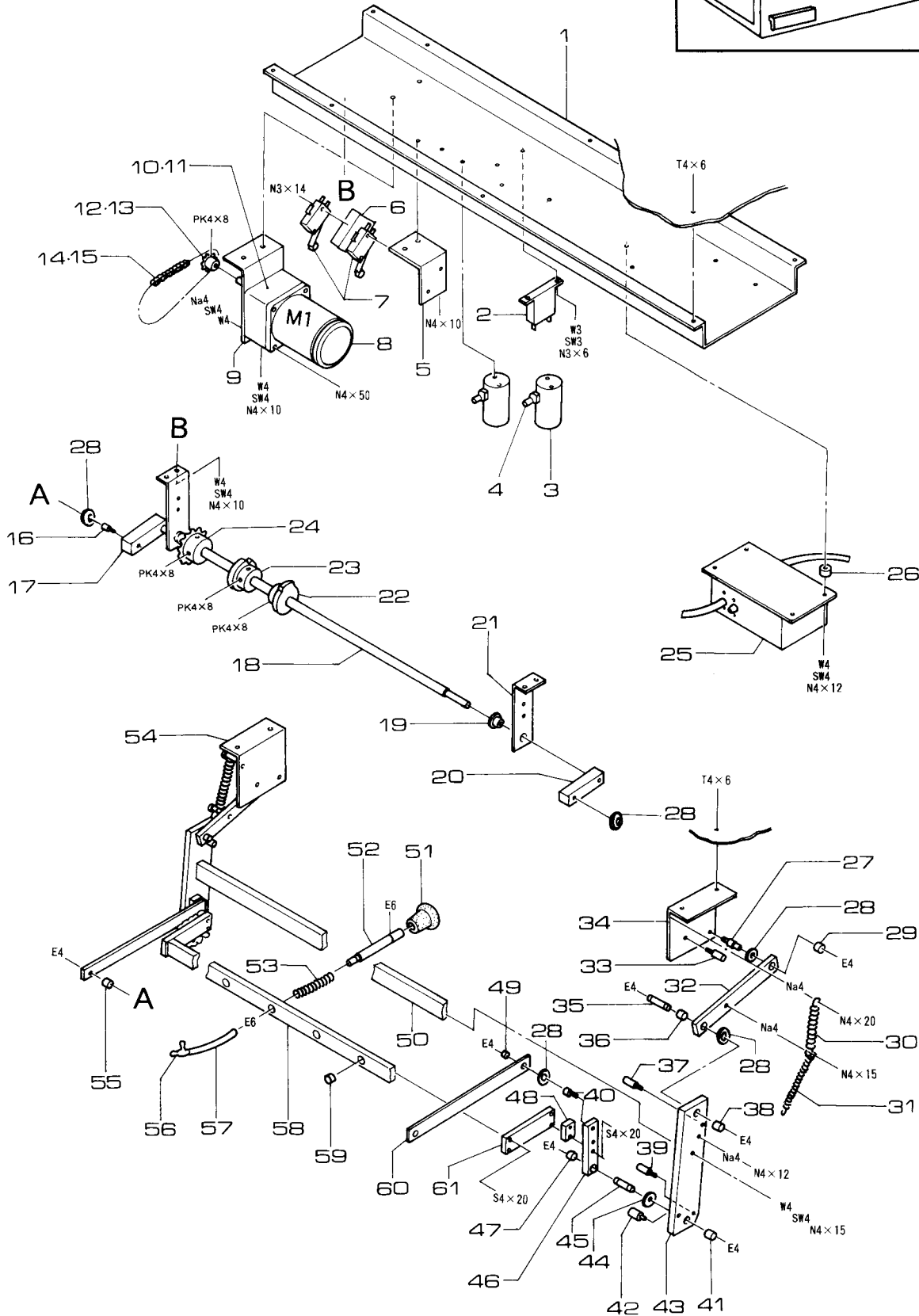
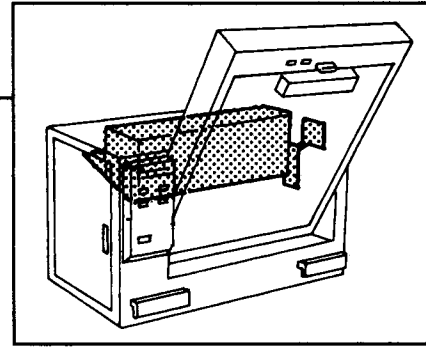
Page	NO.	Part Number	Description	Quantity	Remarks
02	1	356F0118	Bracket	1	
02	2	322F1006	Bearing	5	
02	3	388F1003	Pressed Coil Spring	1	
02	4	332F0011	Stop Bracket	1	
02	5	368F0003	Mounting Plate	1	
02	6	322F1009	Bearing	7	
02	7	126F9098	Lamp	4	AH164 - ZTRF
02	8	812F0014	Sensor	4	
02	9	356F1064A	Bracket	4	
02	10	347F0256	Spacer	8	
02	11	350F0144B	Cover	1	
02	12	356F0096	Bracket	2	
02	13	316F3003	Catch	2	
02	14	350F0145	Cover	1	
02	15	122S0010	Lamp	1	AXH - 610
02	16	376F0105	Light Filter	7	SLFN # 6
02	17	405F0062	Display	1	"OPERATE"
02	18	405F0063	Display	1	"FILM"
02	19	340F0057	Push Button	1	
02	20	386F0006	Rubber Cushion	1	
02	21	319F1068	Shaft	1	
02	22	322FA003	Bearing	10	
02	23	332F0010	Lid Cam	1	
02	24	319F1067	Shaft	1	
02	25	328F0001	Lock	2	
02	26	388F3009	Coil Spring	2	
02	27	820F0020A	Main Body	1	
02	28	405S0003	Manufacturers I.D. Plate	1	

FRONT LID - RECEIVE BOX



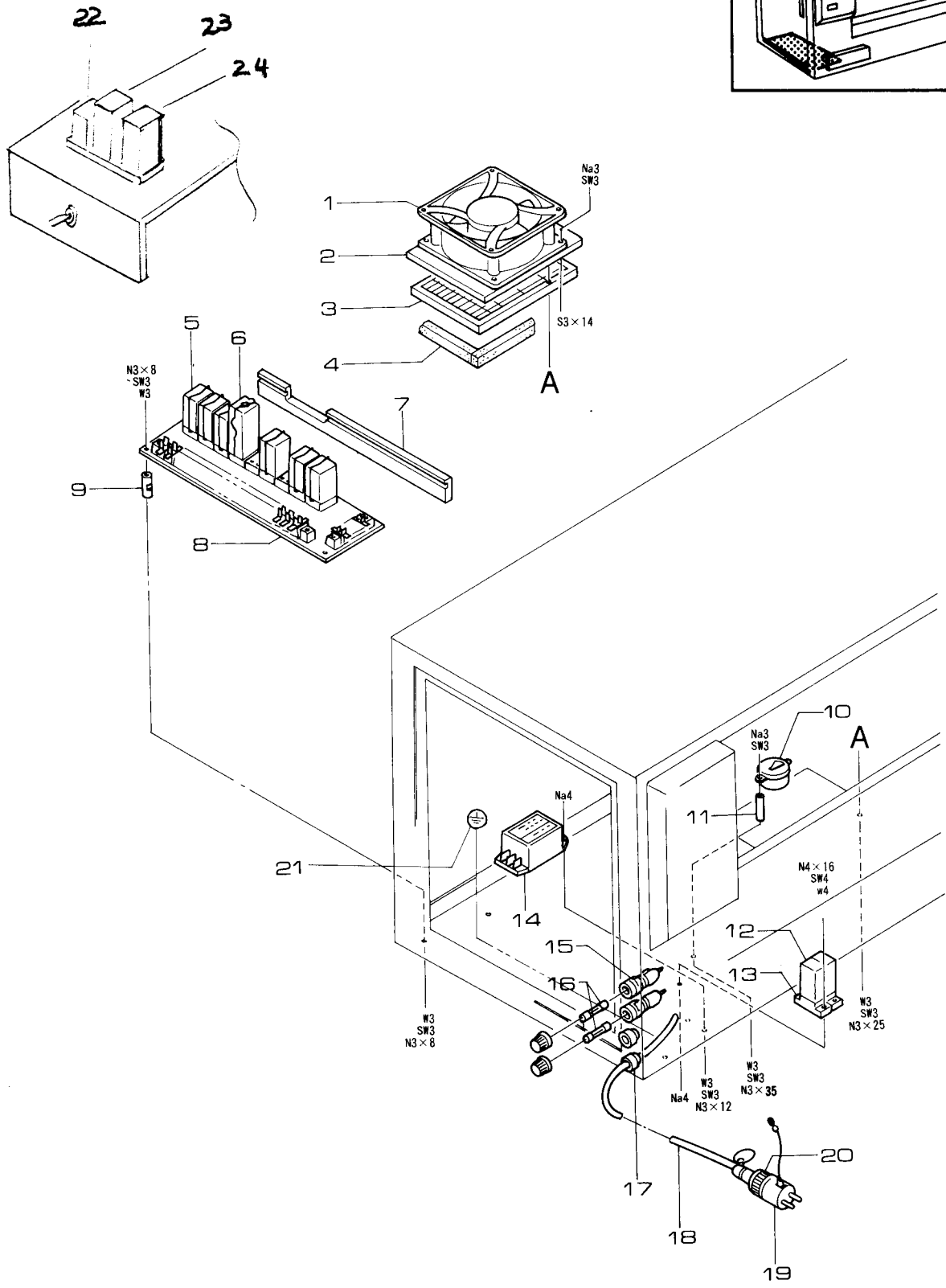
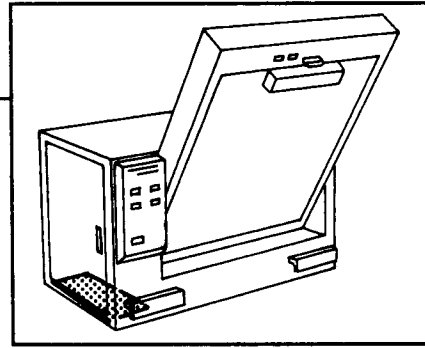
Page	NO.	Part Number	Description	Quantity	Remarks
03	1	356F0116	Bracket	2	
03	2		Partition Plate	3	
03	3	316F3015	Catch	4	
03	4	310F0032	Pin	8	
03	5	384F0005	Felt Tape	3	
03	6	322F1007	Bearing	2	
03	7	348F0038	Side Panel	2	
03	8	376F0064	Support Panel	1	
03	9	Deleted	Support Panel	2	
03	10	348F0037	Side Panel	1	
03	11	346F0048	Support Panel	2	
03	12	382F0006-M010	2m Tape		
03	13	See Fuji Rep	Support Panel	1	
03	14	348F0038	Side Panel	2	
03	15	334F1008	Support Bar	1	
03	16	See Fuji Rep	Partition Plate	3	Unit Assembly
03	17	See Fuji Rep	Receive Box	1	Unit Assembly
03	18	363F0099	Guide	1	
03	19	348F0016	Side Plate	1	
03	20	363F0073	Guide Plate	2	
03	21	363F0072	Guide Plate	2	
03	22	382F0006-M010	Gasket		
03	23	343F0003	Bracket	2	
03	24	126F1006	Neon Lamp	1	
03	25	340F0121	Handle	2	
03	26	356F0099	Bracket	2	
03	27	350F0044A	Cover	1	
03	28	356F0065A	Bracket	2	
03	29	347F0026	Spacer	4	
03	30	313F0025	Lid Guide	2	
03	31	347F0026	Spacer	2	
03	32	338F0042	Spacer	4	
03	33	314F0002	Hinge	2	
03	34	348F0015	Side Plate	1	
03	35	363F0098	Guide	1	
03	36	332F0005	Stop Bar	1	
03	37	316F3003	Catch	2	
03	38	363F0072	Guide Plate	2	
03	39	356F0097	Bracket	2	

FILM SUCTION LINK



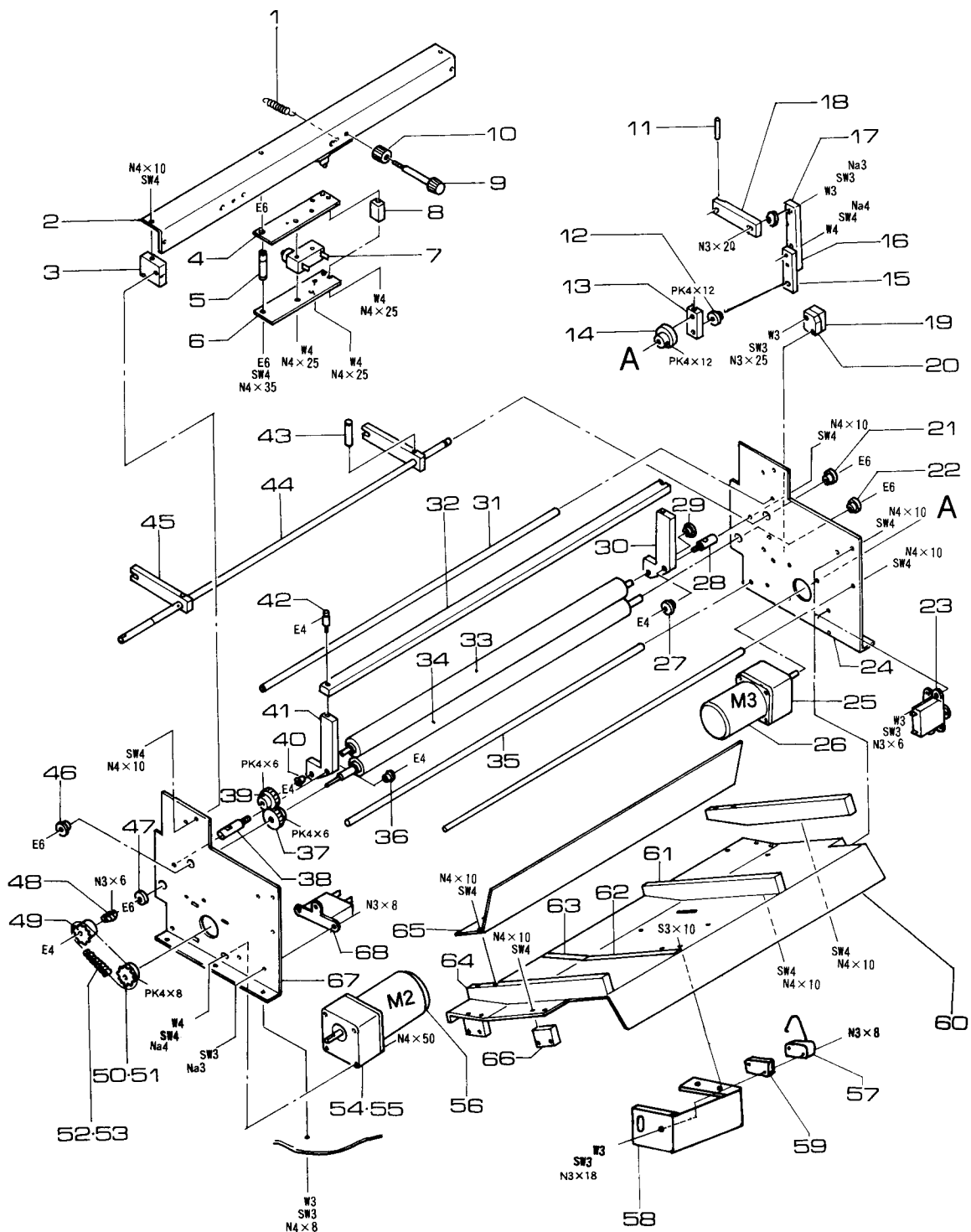
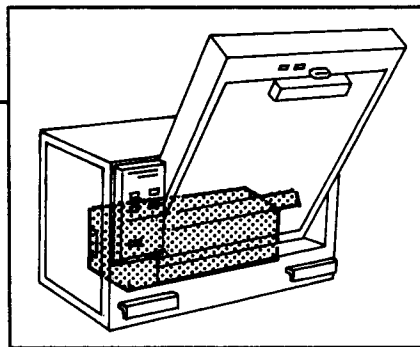
Page	NO.	Part Number	Description	Quantity	Remarks
04	1	357F0023B	Mounting Plate	1	
04	2	110S0033	Capacitor	2	
04	3	134F5016	Vacuum Solenoid	2	
04	4	371F0056	Vacuum Fitting	2	SV201-3
04	5	356F1025	Bracket	1	
04	6	347F0243	Spacer	1	
04	7	128F3035	Microswitch	1	
04	8	118S2RJ04GA	Motor	2	
04	9	356F0119A	Bracket	1	
04	10	Deleted	Gear Box (50HZ)	2	
04	11	395FA008	Gear Box	2	2GA360L
04	12	326F1011902	Sprocket	1	
04	13	Deleted		1	Old Style
04	14	325F2100046	Roller Chain	1	
04	15	Deleted		1	Old Style
04	16	310F0023A	Pin	4	
04	17	341F0136	Arm	1	
04	18	319F1078	Shaft	1	
04	19	322F1006	Bearing	5	
04	20	341F0137	Arm	1	
04	21	356F0186A	Bracket	2	
04	22	329F1005	Cam	1	
04	23	329F1006	Cam	1	
04	24	326F1012403	Sprocket	1	
04	25	133F2002	Pump	1	MV-75HG
04	26	386F0010	Anti-vibration Rubber	4	
04	27	310F0022	Pin	2	
04	28	309F0003	Washer	3	
04	29	322F1008	Bearing	10	
04	30	388F2012	Stretched Coil Spring	2	
04	31	388F2011	Stretched Coil Spring	2	
04	32	341F0014A	Arm	2	
04	33	332F0006	Stop Pin	4	
04	34	356F0123A	Bracket	1	
04	35	310F0024	Pin	4	
04	36	322F1008	Bearing	10	
04	37	332F0073	Stop Pin	2	
04	38	322F1008	Pin	10	
04	39	322F0006	Stop Pin	4	
04	40	310F0023A	Pin	4	
04	41	322F1008	Bearing	10	
04	42	322F0074	Stopper	2	
04	43	341F0012A	Arm	2	
04	44	3009F0003	Washer		
04	45	310F0024	Pin	4	
04	46	341F0011B	Arm	2	
04	47	322F1008	Bearing	10	
04	48	347F0037A	Spacer	2	
04	49	322F1005	Bearing	4	
04	50	313F0028	Support Bar	1	
04	51	392S0001A	Suction Cup	8	
04	52	371F0066	Suction Stem	8	
04	53	388F1004	Pressed Coil Spring	8	
04	54	356F0124A	Bracket	1	
04	55	322F1005	Bearing	4	
04	56	372F0044	Air Tube Fitting (Tee)	6	
04	57	370FH005147	Tube		
04	58	356F9046	Bracket	1	
04	59	322F1009	Bearing	7	
04	60	341F0017A	Arm	2	
04	61	356F3105	Bracket	2	

POWER SUPPLY



Page	NO.	Part Number	Description	Quantity	Remarks
05	1	119F0004	Fan	1	S4506
05	2	356F0098	Motor Bracket	1	
05	3	345F0606A	Motor Grill	3	
05	4	382F0010-M002	Sponge Tape		
05	5	131S0085	Relay	8	HC4E-AC100V
05	6	132F1081	Timer	1	AD61741
05	7	401F0002	Mounting Brace	1	
05	8	113F0034C	Board Assembly	1	
05	9	347F0023	Spacer	3	
05	10	121S0004	Buzzer	1	
05	11	347F0022	Spacer	2	
05	12	131S0095	Relay	8	
05	13	120F7027	Socket	2	AP3882
05	14	138S0001	Noise Filter	1	SSND-0300B
05	15	137S2013	Fuse Holder	2	FH032
05	16	137S1042020	Fuse	2	125V, 2 AMP
05	17	318F0003	Strain Relief (Power Cord)	1	SR-6L-1
05	18	136F0092	Power Cord		3 M
05	19	120S0079A	Socket	1	WF7004
05	20	120F7026	Plug	1	
05	21	405F0346	Label	1	
05	22	131S0095	Relay	1	
05	23	132S0020	Timer	1	
05	24	132S0020	Timer	1	

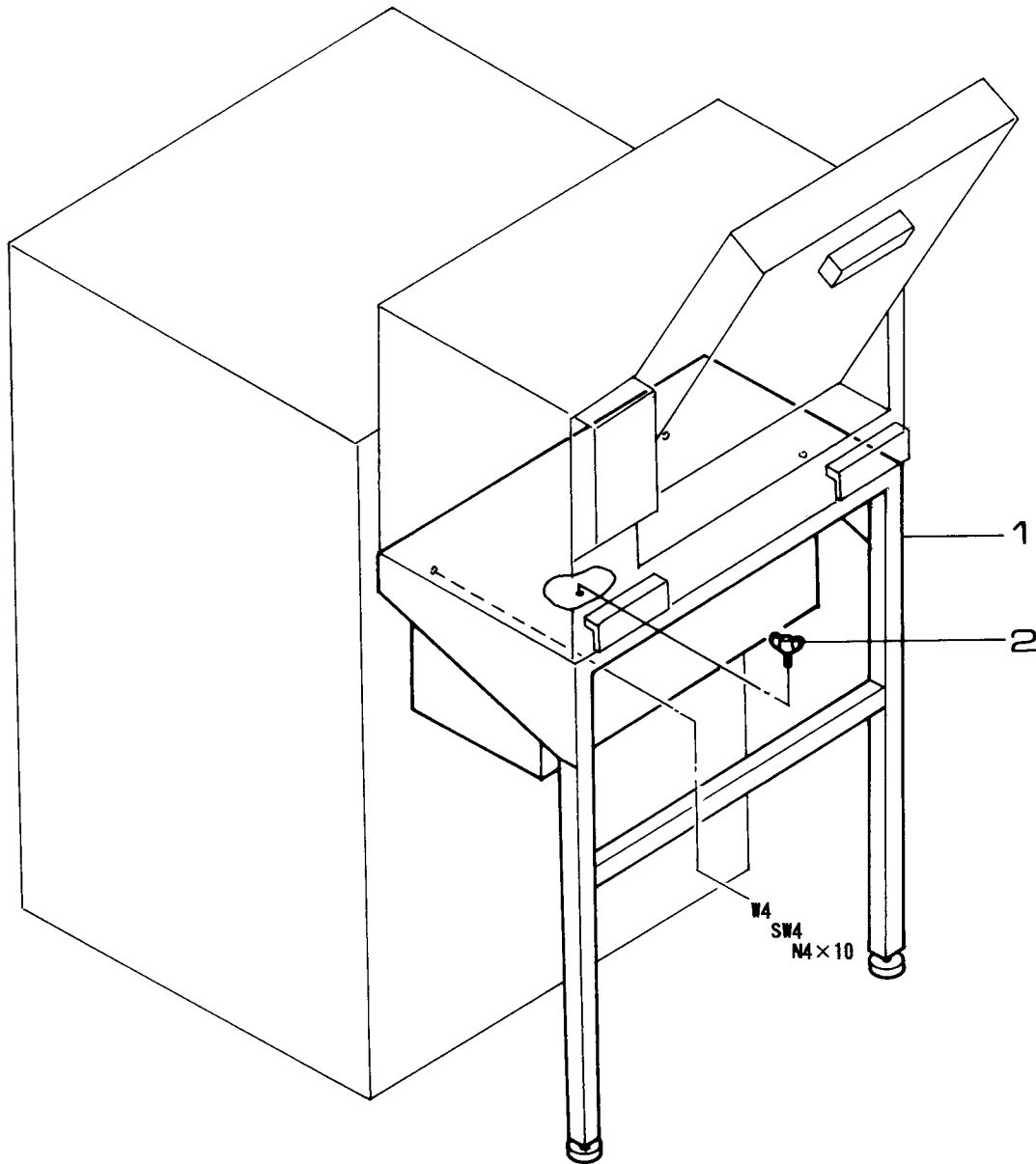
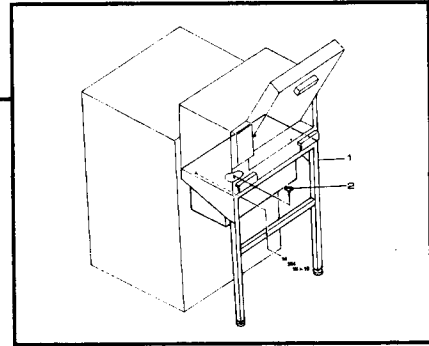
TRANSPORTATION RACK



Page	NO.	Part Number	Description	Quantity	Remarks
06	1	338F2013	Stretched Coil Spring	2	
06	2	356F0264	Bracket	1	
06	3	356F0189	Bracket	2	
06	4	356F0127	Bracket	2	
06	5	319F1111	Shaft	1	
06	6	356F0128	Bracket	2	
06	7	128F8021	Microswitch	2	15GK55
06	8	322F0012	Spacer	2	
06	9	308F0014	Screw	2	
06	10	316F3007	Lock	2	
06	11	310F1003016	Pin	3	
06	12	338F0041	Bushing	2	
06	13	341F0025	Arm	1	
06	14	329F1008	Cam	1	
06	15	341F0027	Arm	1	
06	16	341F0026	Arm	1	
06	17	338F0041	Bushing	2	
06	18	341F0024	Arm	1	
06	19	128F3035	Microswitch	3	AH71565
06	20	347F0064	Spacer	2	
06	21	322F1006	Bearing	5	
06	22	322FA004	Bearing	2	
06	23	110S0033	Capacitor	2	CH30
06	24	348F0036A	Side Panel	1	
06	25	395F2GA36LZ	Gear Box	1	2GA36L
06	26	118S2RJ04GA	Motor	2	2RJ4GA-A2
06	27	322FA003	Bearing	10	
06	28	319F1109	Shaft	1	
06	29	322FA003	Bearing	10	
06	30	341F0015	Arm	2	
06	31	313F0029	Support Rod	3	
06	32	313F0030	Support Bar	1	
06	33	334F2098	Roller	1	
06	34	334F2078	Roller	1	
06	35	313F0029	Support Bar	3	
06	36	322FA003	Bearing	10	
06	37	327F1102501	Gear	1	
06	38	319F1108	Shaft	1	
06	39	327F1102502	Gear	1	
06	40	322FA003	Bearing	10	
06	41	341F0015	Arm	2	
06	42	310F0025	Pin	2	
06	43	310F01003016	Pin	3	
06	44	319F1155	Shaft	1	
06	45	341F0018	Arm	2	
06	46	322F1006	Bearing	5	
06	47	322FA004	Bearing	2	
06	48	328F0002	Set Screw	1	N3 x 6
06	49	326F1011402	Sprocket	1	
06	50	326F1011902	Sprocket	1	
06	51	Deleted			Old Style
06	52	Deleted	Roller chain		Old Style
06	53	Deleted			Old Style

Page	NO.	Part Number	Description	Quantity	Remarks
06	54	395FA007	Gear Box	2	2GA300L (50 Hz)
06	55	395FA008	Gear Box	2	2GA360L (60 Hz)
06	56	118S21J03GA	Motor	1	21J3GA-az
06	57	812F0054A	Sensor	4	
06	58	356F8584	Bracket	4	
06	59	347F0256	Spacer	8	
06	60	363F4018	Guide Plate (Bottom)		
06	61	363F0119	Guide Rib	2	
06	62	363F0118	Guide	3	
06	63	363F0123	Guide	3	
06	64	363F0117	Guide Rib	2	
06	65	363F0102A	Guide Plate Cover Shield	1	
06	66	356F0187	Guide Plate Cover (Top)	4	
06	67	348F0035A	Side Plate	1	
06	68	110S0037	Capacitor	1	
06	69	326F1101402	White Plastic Sprocket	1	
06	70	327F8313246	White Plastic Gear		
06	71	327F0005	Gear		

STAND



Page	NO.	Part Number	Description	Quantity	Remarks
07	1	809F0009A	Stand	1	
07	2	304S000415	Bolt	2	

AF - IX - L3

NUMERIC PARTS LIST

Page	NO.	Part Number	Discription	Quantity	Remarks
04	2	110S0033	Capacitor	2	
06	23	110S0033	Capacitor	2	
06	68	110S0037	Capacitor	1	
05	8	113F0034C	Board Assembly	1	
06	56	118S2IJ03GA	Motor	1	
04	8	118S2RJ04GA	Motor	2	
06	26	118S2RJ04GA	Motor	2	
05	1	119F0004	Fan	1	
05	20	120F7026	Plug	1	
05	13	120F7027	Socket	2	
05	19	120S0079A	Socket	1	
05	10	121S0004	Buzzer	1	
01	29	122S0010	Lamp	1	
02	15	122S0010	Lamp	1	
03	24	126F1006	Neon Lamp	1	
01	21	126F9098	Lamp	4	
02	7	126F9098	Lamp	4	
04	7	128F3035	Microswitch	1	
06	19	128F3035	Microswitch	3	
06	7	128F8021	Microswitch	2	
01	20	128F9270	Switch	1	
01	22	128F9271	Switch	2	
01	30	128F9271	Switch	2	
05	5	131S0085	Relay	8	
05	12	131S0085	Relay	8	
05	6	132F1081	Timer	1	
04	25	133F2002	Pump	1	
04	3	134F5016	Vacuum Solenoid	2	
05	18	136F0092	Power Cord	1	
05	16	137S1042020	Fuse	2	
05	15	137S2013	Fuse Holder	2	
05	14	138S0001	Noise Filter	1	
04	44	3009F0003	Washer		
07	2	304S000415	Bolt	2	
01	35	304S4000415	Wing Bolt	2	
06	9	308F0014	Screw	2	
04	28	309F0003	Washer	3	
04	27	310F0022	Pin	2	
04	16	310F0023A	Pin	4	
04	40	310F0023A	Pin	4	
04	35	310F0024	Pin	4	
04	45	310F0024	Pin	4	
06	42	310F0025	Pin	2	
03	4	310F0032	Pin	8	
06	43	310F01003016	Pin	3	
06	11	310F1003016	Pin	3	
03	30	313F0025	Lid Guide	2	
04	50	313F0028	Support Bar	1	
06	31	313F0029	Support Rod	3	
06	35	313F0029	Support Bar	3	
06	32	313F0030	Support Bar	1	
03	33	314F0002	Hinge	2	
01	3	314F0010	Hinge	2	
02	13	316F3003	Catch	2	

AF - IX - L3

NUMERIC PARTS LIST

Page	NO.	Part Number	Description	Quantity	Remarks
03	37	316F3003	Catch	2	
06	10	316F3007	Lock	2	
03	3	316F3015	Catch	4	
05	17	318F0003	Strain Relief (Power Co	1	
02	24	319F1067	Shaft	1	
02	21	319F1068	Shaft	1	
04	18	319F1078	Shaft	1	
06	38	319F1108	Shaft	1	
06	28	319F1109	Shaft	1	
06	5	319F1111	Shaft	1	
06	44	319F1155	Shaft	1	
04	39	322F0006	Stop Pin	4	
06	8	322F0012	Spacer	2	
04	42	322F0074	Stopper	2	
04	49	322F1005	Bearing	4	
04	55	322F1005	Bearing	4	
02	2	322F1006	Bearing	5	
04	19	322F1006	Bearing	5	
06	21	322F1006	Bearing	5	
06	46	322F1006	Bearing	5	
03	6	322F1007	Bearing	2	
04	29	322F1008	Bearing	10	
04	36	322F1008	Bearing	10	
04	38	322F1008	Pin	10	
04	41	322F1008	Bearing	10	
04	47	322F1008	Bearing	10	
02	6	322F1009	Bearing	7	
04	59	322F1009	Bearing	7	
02	22	322FA003	Bearing	10	
06	27	322FA003	Bearing	10	
06	29	322FA003	Bearing	10	
06	36	322FA003	Bearing	10	
06	40	322FA003	Bearing	10	
06	22	322FA004	Bearing	2	
06	47	322FA004	Bearing	2	
04	14	325F2100046	Roller Chain	1	
06	49	326F1011402	Sprocket	1	
04	12	326F1011902	Sprocket	1	
06	50	326F1011902	Sprocket	1	
04	24	326F1012403	Sprocket	1	
06	37	327F1102501	Gear	1	
06	39	327F1102502	Gear	1	
02	25	328F0001	Lock	2	
06	48	328F0002	Set Screw	1	
04	22	329F1005	Cam	1	
04	23	329F1006	Cam	1	
06	14	329F1008	Cam	1	
03	36	332F0005	Stop Bar	1	
04	33	332F0006	Stop Pin	4	
02	23	332F0010	Lid Cam	1	
02	4	332F0011	Stop Bracket	1	
04	37	332F0073	Stop Pin	2	
03	15	334F1008	Support Bar	1	
06	34	334F2078	Roller	1	

AF - IX - L3

NUMERIC PARTS LIST

Page	NO.	Part Number	Discription	Quantity	Remarks
06	33	334F2098	Roller	1	
06	12	338F0041	Bushing	2	
06	17	338F0041	Bushing	2	
03	32	338F0042	Spacer	4	
06	1	338F2013	Stretched Coil Spring	2	
01	17	340F0002	Handle	2	
01	34	340F0054	Handle	2	
01	18	340F0056	Thumbscrew	4	
02	19	340F0057	Push Button	1	
03	25	340F0121	Handle	2	
01	13	340F0122	Thumbscrew	2	
04	46	341F0011B	Arm	2	
04	43	341F0012A	Arm	2	
04	32	341F0014A	Arm	2	
06	30	341F0015	Arm	2	
06	41	341F0015	Arm	2	
04	60	341F0017A	Arm	2	
06	45	341F0018	Arm	2	
06	18	341F0024	Arm	1	
06	13	341F0025	Arm	1	
06	16	341F0026	Arm	1	
06	15	341F0027	Arm	1	
04	17	341F0136	Arm	1	
04	20	341F0137	Arm	1	
03	23	343F0003	Bracket	2	
05	3	345F0606A	Motor Grill	3	
01	19	346F0022	Support plate	1	
01	33	346F0023	Support plate	1	
03	11	346F0048	Support Panel	2	
05	11	347F0022	Spacer	2	
05	9	347F0023	Spacer	3	
03	29	347F0026	Spacer	4	
03	31	347F0026	Spacer	2	
04	48	347F0037A	Spacer	2	
06	20	347F0064	Spacer	2	
04	6	347F0243	Spacer	1	
02	10	347F0256	Spacer	8	
06	59	347F0256	Spacer	8	
03	34	348F0015	Side Plate	1	
03	19	348F0016	Side Plate	1	
06	67	348F0035A	Side Plate	1	
06	24	348F0036A	Side Panel	1	
03	10	348F0037	Side Panel	1	
03	7	348F0038	Side Panel	2	
03	14	348F0038	Side Panel	2	
03	27	350F0044A	Cover	1	
01	16	350F0045A	Cover	2	
01	12	350F0142A	Cover	1	
01	14	350F0143A	Cover	1	
02	11	350F0144B	Cover	1	
02	14	350F0145	Cover	1	
03	28	356F0065A	Bracket	2	
02	12	356F0096	Bracket	2	
03	39	356F0097	Bracket	2	

AF - IX - L3

NUMERIC PARTS LIST

Page	NO.	Part Number	Discription	Quantity	Remarks
05	2	356F0098	Motor Bracket	1	
03	26	356F0099	Bracket	2	
03	1	356F0116	Bracket	2	
02	1	356F0118	Bracket	1	
04	9	356F0119A	Bracket	1	
04	34	356F0123A	Bracket	1	
04	54	356F0124A	Bracket	1	
06	4	356F0127	Bracket	2	
06	6	356F0128	Bracket	2	
04	21	356F0186A	Bracket	2	
06	66	356F0187	Guide Plate Cover (Top	4	
06	3	356F0189	Bracket	2	
01	2	356F0262	Bracket	2	
01	11	356F0262	Bracket	2	
06	2	356F0264	Bracket	1	
04	5	356F1025	Bracket	1	
02	9	356F1064A	Bracket	4	
04	61	356F3105	Bracket	2	
04	58	356F3107	Bracket	1	
06	58	356F8584	Bracket	4	
04	1	357F0023B	Mounting Plate	1	
03	21	363F0072	Guide Plate	2	
03	38	363F0072	Guide Plate	2	
03	20	363F0073	Guide Plate	2	
03	35	363F0098	Guide	1	
03	18	363F0099	Guide	1	
06	65	363F0102A	Guide Plate Cover Shield	1	
01	9	363F0105	Guide	1	
01	4	363F0106	Guide	2	
01	5	363F0107	Guide	2	
06	64	363F0117	Guide Rib	2	
06	62	363F0118	Guide	3	
06	61	363F0119	Guide Rib	2	
06	63	363F0123	Guide	3	
01	1	363F0575	Guide	1	
02	5	368F0003	Mounting Plate	1	
04	57	370FH005147	Tube		
04	4	371F0056	Vacuum Fitting	2	
04	52	371F0066	Suction Stem	8	
04	56	372F0044	Air Tube Fitting (Tee)	6	
01	28	376F0105	Filter	7	
02	16	376F0105	Filter	7	
01	7	382F0006-M010	Gasket		2m
03	12	382F0006-M010	2m Tape		
03	22	382F0006-M010	Gasket		
05	4	382F0010-M002	Sponge Tape		
03	5	384F0005	Felt Tape	3	
02	20	386F0006	Cussion	1	
04	26	386F0010	Anti-vibration Rubber	4	
02	3	388F1003	Pressed Coil Spring	1	
04	53	388F1004	Pressed Coil Spring	8	
04	31	388F2011	Stretched Coil Spring	2	
04	30	388F2012	Stretched Coil Spring	2	
02	26	388F3009	Coil Spring	2	

AF - IX - L3

NUMERIC PARTS LIST

Page	NO.	Part Number	Description	Quantity	Remarks
04	51	392S0001A	Suction Cup	8	
06	25	395F2GA36LZ	Gear Box	1	
06	54	395FA007	Gear Box	2	
04	11	395FA008	Gear Box	2	
06	55	395FA008	Gear Box	2	
01	10	398F0001	Shutter	1	
01	15	401F0001	Pressure Plate	4	
05	7	401F0002	Mounting Brace	1	
01	6	401F0010	Pressure Plate	2	
01	8	401F0024	Pressure Plate	1	
01	23	405F0058	Display	1	
01	25	405F0060	Display	1	
01	26	405F0061	Display	1	
02	17	405F0062	Display	1	
02	18	405F0063	Display	1	
01	27	405F0064	Display no letter	1	
01	31	405F0098B	Display Panel	1	
01	24	405F0106	Display	1	
05	21	405F0346	Label	1	
02	28	405S0003	Manufacturers I.D. Plat	1	
07	1	809F0009A	Stand	1	
06	57	812F0054A	Sensor	4	
02	8	812F0055A	Sensor	4	
02	27	820F0020A	Main Body	1	
01	32		Product Name Plate	1	
03	2	See Fuji Rep	Partition Plate	3	
03	8	346F0064	Support Panel	1	
03	9	Deleted	Support Panel	2	
03	13	See Fuji Rep	Support Panel	1	
03	16	See Fuji Rep	Partition Plate	3	Unit Assembly
03	17	See Fuji Rep	Receive Box	1	Unit Assembly
04	10	Not for U.S.		2	
04	13	Deleted		1	Old Style
04	15	Deleted		1	Old Style
05	22	131S0095	Relay	1	
05	23	132S0020	Timer	1	
05	24	132S0020	Timer	1	
06	51	Deleted			Old Style
06	52	Deleted	Roller Drain		Old Style
06	53	Deleted			Old Style
06	60	363F4018	Guide Plate (Bottom)		
06	69	326F1011402	White Plastic Sprocket	1	
06	70	327F8313246	White Plastic Gear		
06	71	327F0005	Gear		