



PARTS LIST

INDUSTRIAL X-RAY FILM PROCESSOR

FIP7000

First Edition

⚠ CAUTION

The Parts List is intended for exclusive use by technical service personnel authorized by Fuji Photo Film Co. , Ltd. (including personnel to whom technical servicing is commissioned by Fuji Photo Film Co. , Ltd.) and is included alone or together the poeration and service manuals in one combined volume in each packing of equipment.


To avoid possible electric shock or other personal injury, anyone else but the authorized technical service personnel must in no case be allowed to attempt to gain access to the interior of the equipment by screwing the cover or other parts off, using the Parts List as a guide.

Use of the Parts List by anyone else but the authorized technical service personnel should be forbidden.

■ USING PARTS LISTS

- ① Parts and assemblies are illustrated in the exploded drawings of various blocks. Select the numbers of necessary parts and assemblies shown in exploded drawings.
- ② The exploded drawing numbers correlate to parts list numbers. Select part numbers and names from parts lists.
- ③ The numbers indicated in the Parts List "Qty" column designate the quantity of a particular part incorporated in a single apparatus. It should be noted, however, that some parts may appear twice or more in a Parts List for ease of search.

■ ORDERING HOSES

- ① The order length of hoses marked "  " can be varied in 1m units. Note, however, that the maximum length is set.
- ② When ordering a number of hoses having the same number and length, order them separately.
- ③ For the lengths of actually used hoses, refer to the "Remarks" column.

■ NOTES ON ORDERING

- ① When ordering, specify the product model number and serial number in addition to the part number and name.
- ② Part numbers are subject to change without prior notice.

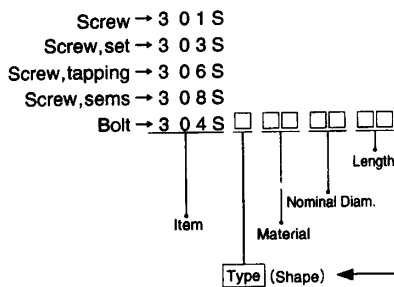
STANDARD MARKING SYSTEM CHART FOR METAL FASTENINGS

These screws, bolts and nuts are ISO metric coarse screw thread.

DRAWING REFERENCE NO.	PART NAME	SYMBOL	PART NO (EXAMPLE)	SYMBOL USED IN FIG. (EXAMPLE)	NOTE	SHAPE
1	Screw, flat head	S	301S7000310	*S3X10	M3X10	1.
2	Screw, pan head	N	301S1000310	*N3X10	M3X10	2.
3	Screw, truss head	T	301S3000310	*T3X10	M3X10	3.
4	Screw, tapping, flat head	STa	306S3000310	*STa3X10	M3X10	4.
5	Screw, tapping, pan head	NTa	306S1000310	*NTa3X10	M3X10	5.
6	Screw, tapping, truss head	TTa	306SF000310	*TTa3X10	M3X10	6.
7	Set screw hex socket head (cup point)	PK	303S2000310	*PK3X10	M3X10	7.
8	Set screw hex socket head (cone point)	PT	303S3000310	*PT3X10	M3X10	8.
9	Set screw hex socket head (flat point)	PH	303S1000310	*PH3X10	M3X10	9.
10	Set screw slotted head (cup point)	FK	302S2000305	*FK3X5	M3X5	10.
11	Set screw slotted head (cone point)	FT	302S3000305	*FT3X5	M3X5	11.
12	Set screw slotted head (flat point)	FH	302S1000305	*FH3X5	M3X5	12.
13	Bolt, hex head	R	304S1000310	*R3X10	M3X10	13.
14	Bolt, hex socket head	Q	304S3000410	*Q4X10	M4X10	14.
15	Nut, hex	Na	305S1120003	Na3	M3	15.
16	Washer, plain	W	309S0110003	*W3	M3	16.
17	Washer, spring	SW	309S0220003	*SW3	M3	17.
18	E-ring	E	315S3000030	*E3	Nominal diam. M3	18.
19	External ring	CG	315S1000030	*CG3	Nominal diam. M3	19.
20	Internal ring	CA	315S2000030	*CA3	Nominal diam. M3	20.
21	Plastic washer	CP	309S0129203	CP3	Nominal diam. M3	21.
22	Plastic ring	KP	315S1920030	KP3	Nominal diam. M3	22.
23	Screw, sems	A	308S4000310	A3X10	M3X10, with flat and washer	23.
24	Screw, double sems	B	308S2000310	B3X10	M3X10, with flat and spring washer	24.

● MATERIAL INDICATING MARK

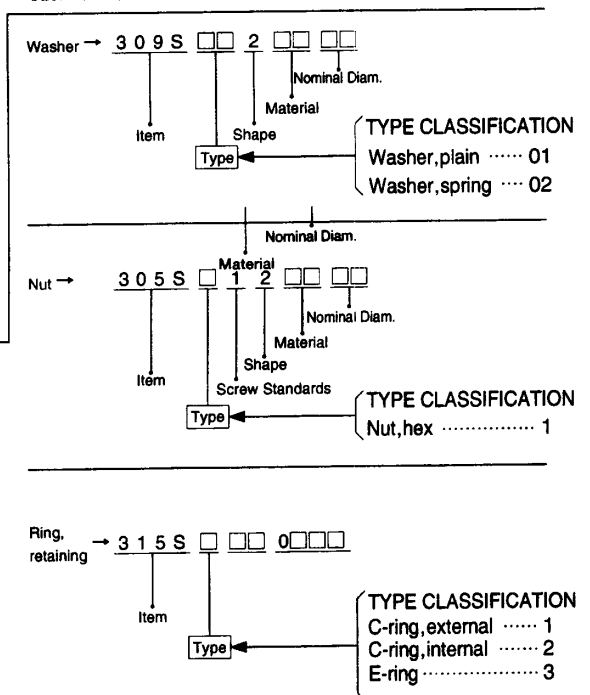
MATERIAL	MARK ADDED TO PART SYMBOL	EXAMPLE	MATERIAL CODE
Iron Chromate	Not used	N3	11
SUS304	*	*N3	00
SUS316	**	**N3	05
Titanium	***	***N3	80
Iron nickel	Shape-indicating, symbol enclosed in a circle	(N3)	10
Iron (black oxide coating)	Shape-indicating, symbol enclosed in a square	[N3]	12
Brass nickel	Shape-indicating, symbol enclosed in a triangle	△N3	55
Plastic	●	●CP	92



TYPE (SHAPE) CLASSIFICATION

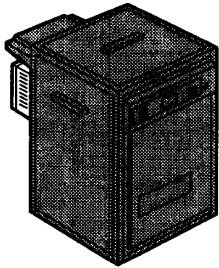
- Screw, pan head 1
- Screw, flat head 7
- Screw, tapping, flat head 3~4
- Screw, tapping, pan head 1~2
- Screw, tapping, truss head F~H
- Screw, truss head 3
- Set screw, hex head (flat) 1
- Set screw, hex head (cup point) 2
- Set screw, hex head (cone) 3
- Bolt, hex 1
- Bolt, hex 2
- Bolt, hex socket head 3
- Screw, sems 1
- Screw, double sems 2

● DECIPHERING THE IDENTIFICATION MARKINGS OF METAL FASTENINGS



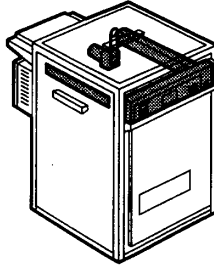
INDEX 01

● Body frame



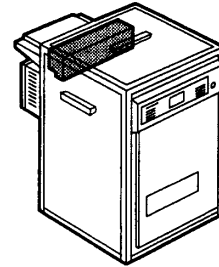
INDEX 02

● Drive section/Control panel section



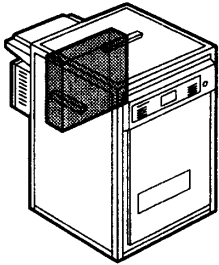
INDEX 03

● Feed rack



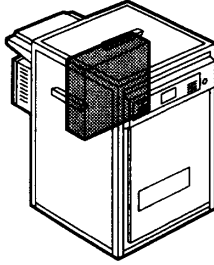
INDEX 04

● Developer rack



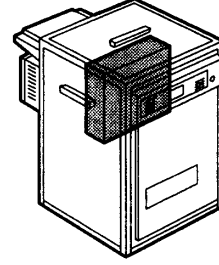
INDEX 05

● Fixer rack



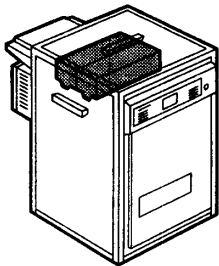
INDEX 06

● Washer rack



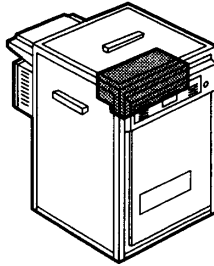
INDEX 07

● F-W-D-F Crossover rack



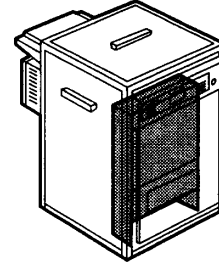
INDEX 08

● Squeegee rack



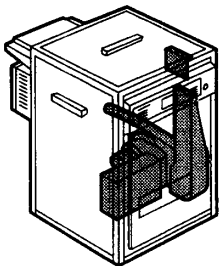
INDEX 09

● Dryer rack



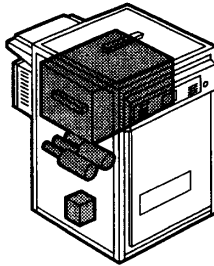
INDEX 10

● Dryer fan section



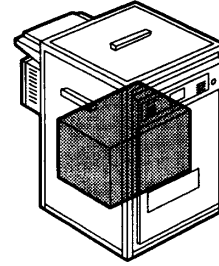
INDEX 11

● Circulation line



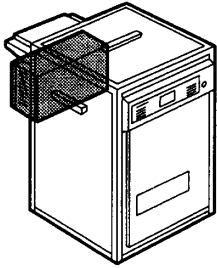
INDEX 12

● Piping line



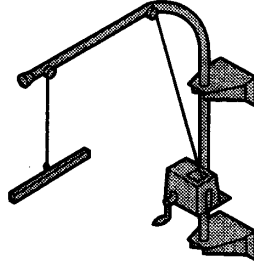
INDEX 13

● Control box



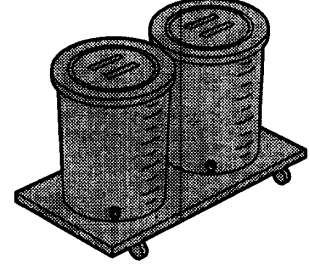
INDEX 14

● Rack hoist



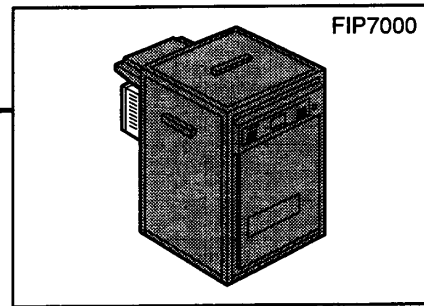
INDEX 15

● Replenishing tanks · Accessories

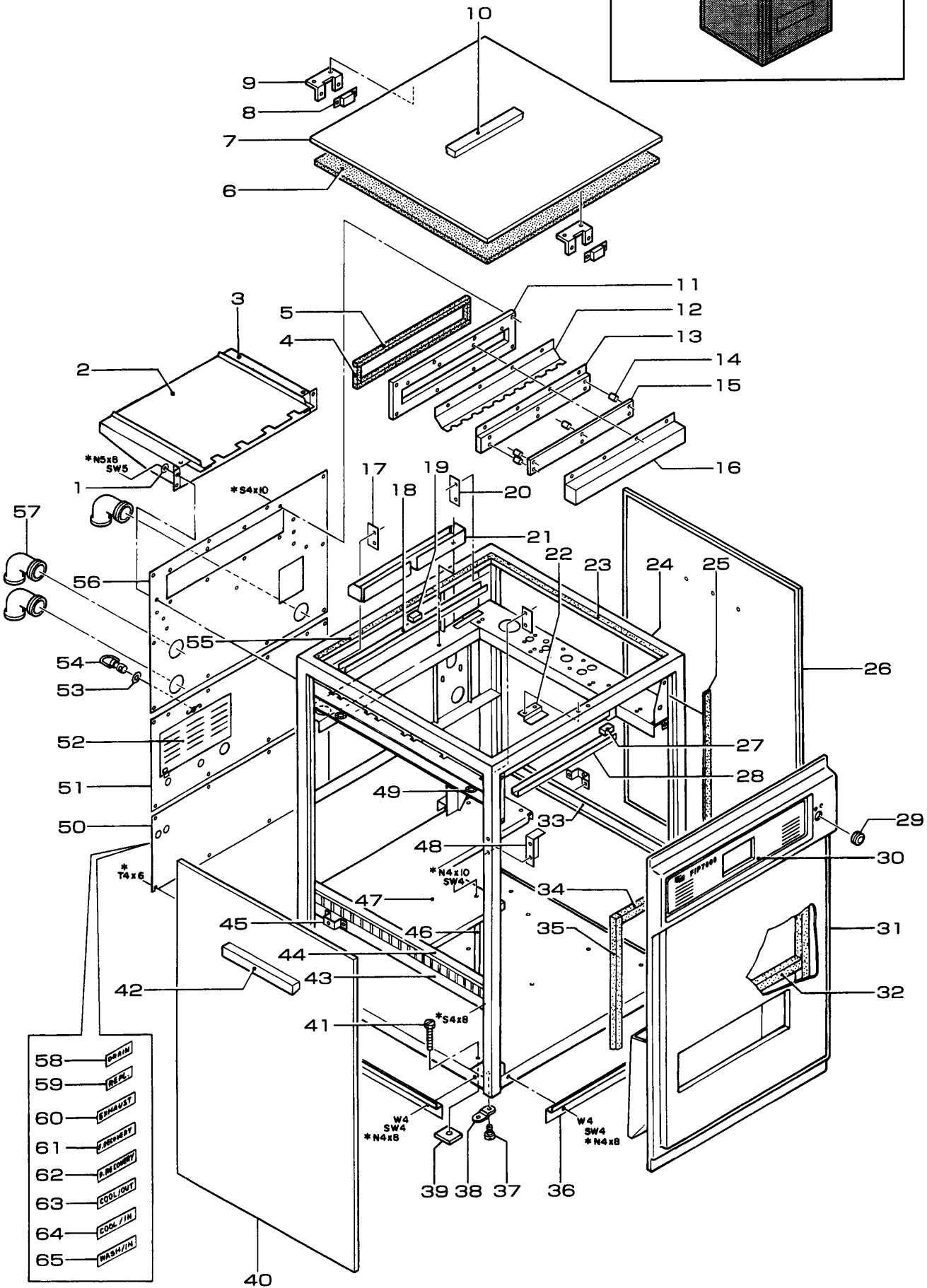


● The parts shown in the shaded area of each index illustration are described in the page or pages having the same index number.

Body frame



FIP7000



● Body frame

Drawing

Ref. No.	Part No.	Part Name	Qty	Remarks
1	309F0022	Washer,plain	9	
2	363F4423A	Feed tray	1	
3	357F1539B	Brace	1	
4	382F0007-0068	Sponge tape	2	t5XW5
5	382F0046-0476	Sponge tape	2	t5XW7
6	385F0172	Insulator	1	
7	350F5842B	Cover	1	
8	394F0012	Magnet	2	
9	356F1139A	Bracket	2	
10	340F0142	Cover grip	1	
11	345F1986A	Frame assembly	1	
12	363F4422A	Guide plate	1	
13	356F10855A	Bracket	1	
14	347F2063	Spacer	6	
15	113F0647A	Photo sensor	1	Board assy (MFS)
16	350F5839	Cover	1	
17	350F5905	Cover	2	
18	356F11341	Bracket	1	
19	128H1013A	Switch	2	
20	350F5906	Cover	1	
21	350F0618	Cover	1	
22	356F10869	Bracket	1	
23	345F0127	Shielding velour	2	742mm
24	355F1373B	Body frame	1	
25	345F0127	Shielding velour	6	1140mm
26	348F1328A	Side panel	1	
27	128H1013A	Switch	2	
28	356F11340	Bracket	1	
29	317F0078	Cap	1	
30	405F8242A	Label	1	
31	348F1335	Side panel	1	
32	382F0126	Sponge tape	1	20X30 435mm
33	355F1366B	Brace	1	

Drawing

Ref. No.	Part No.	Part Name	Qty	Remarks
34	382F0125	Sponge tape	2	30X30 530mm
35	382F0125	Sponge tape	2	30X30 850mm
36	362F0223A	Bracket	3	
37	308F8311182	Screw	4	
38	401F8331181	Plate	4	
39	347F8311184	Plate	4	
40	348F1327A	Side panel	1	
41	308F0382	Screw	4	
42	340F0143	Grip	2	
43	355F1365B	Brace	1	
44	369F0531	Harness cover	1	0.7m
45	356F10858	Bracket	2	
46	355F0131	Brace	1	
47	357F1543B	Support	1	
48	350F5893C	Cover	1	
49	318F1002	Bushing	2	
50	350F5852A	Cover	1	
51	348F5846	Side panel	1	
52	350F5847A	Access panel	1	
53	309F8341147	Washer	1	
54	340F0127	Lock	1	
55	345F0127	Shielding velour	2	720mm
56	348F1331B	Side Panel	1	
57	318S3049A	Grommet	3	
58	405F8319223	Name plate	1	DRAIN
59	405F8349131	Name plate	2	REPL.
60	405F8319224	Name plate	1	EXHAUST
61	405F8319229	Name plate	1	F.RECOVERY
62	405F8319228	Name plate	1	D.RECOVERY
63	405F0015	Name plate	1	COOL/OUT
64	405F0010	Name plate	1	COOL/IN
65	405F0011	Name plate	1	WASH/IN

● Drive section

Drawing

Ref. No.	Part No.	Part Name	Qty	Remarks
1	339S0001	Handle	1	
2	304F0006	Wing bolt	2	
3	341F0155	Arm assy	1	
4	310F0140	Screw shaft	2	
5	362F0230	Bracket	1	
6	362F0229	Support	1	
7	362F5353	Support	1	
8	362F0700	Support	1	
9	362F5352	Brace	1	
10	356F0042A	Bracket	2	
11	321S0012	Bearing assy	3	FU-10EZZ
12	312F0001	Lock pin	2	
13				
14	325FF105090	Chain	1	
15	326F1012214	Sprocket	2	
16	118H0122A	Motor	1	TL167
17	322FA001	Bearing	1	

Drawing

Ref. No.	Part No.	Part Name	Qty	Remarks
18	350F0014	Casing	1	
19	356F10823	Bracket	1	
20	327F8612112	Worm gear	3	
21	319F1537	Drive shaft	1	
22	356F2002-K1	Bracket	1	
23	322F3002	Bearing	1	
24	327F8612113	Worm gear	3	
25	309F0120010	Falt washer	1	For M10
26	322F8312143	Bearing	1	
27	310F1003020	Lock pin	8	
28	327F2151310	Helical gear	1	
29	356F2002-K2	Bracket	1	
30	356F0257	Spacer	1	
31	310F1003020	Lock pin	8	
32	356F0042A	Bracket	2	
33	321S0012	Bearing assy	3	

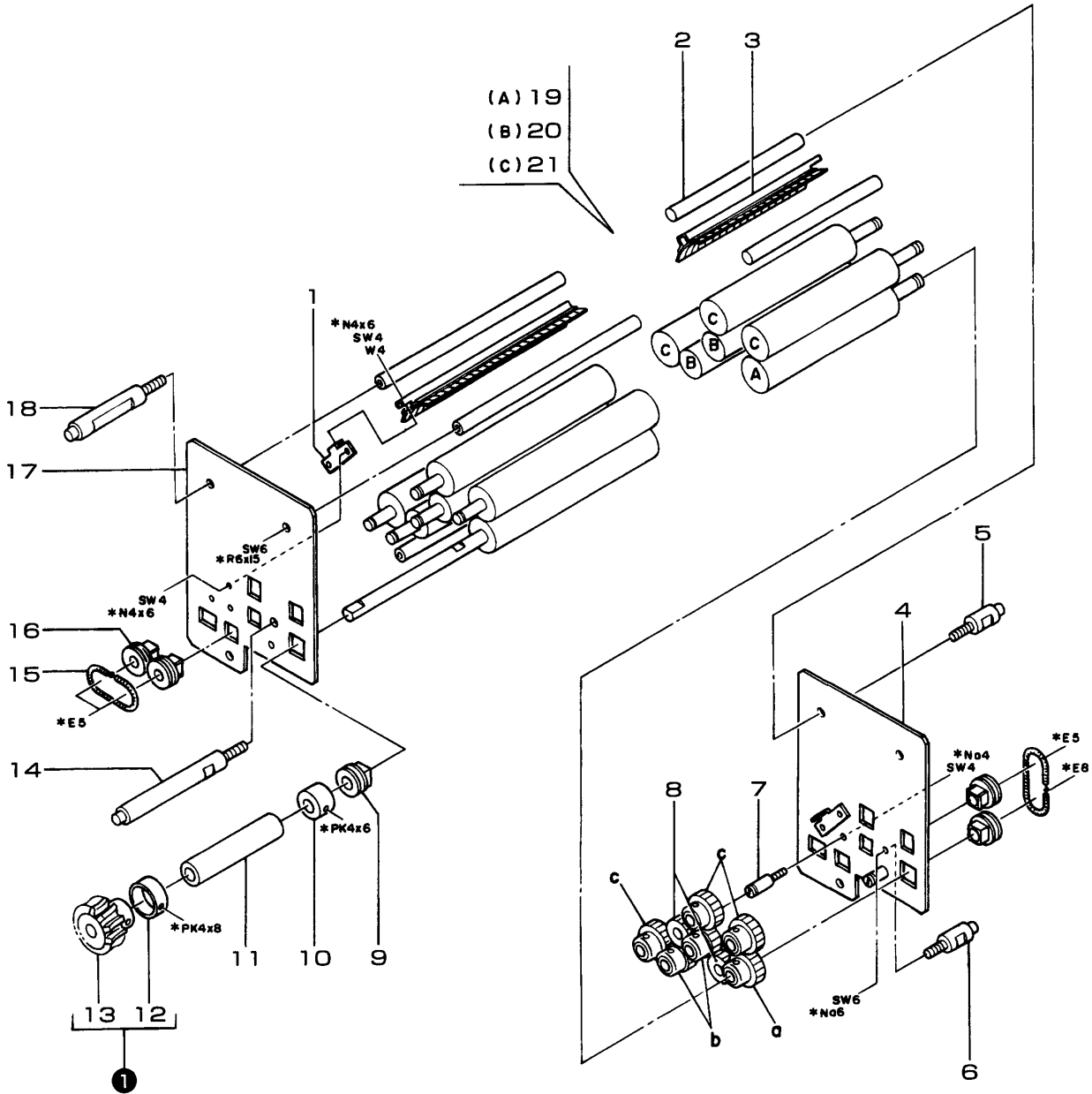
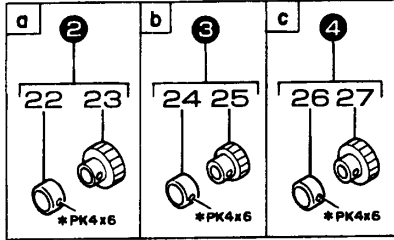
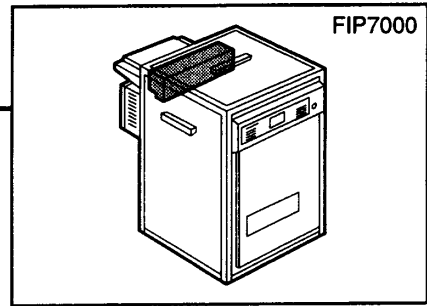
● Control panel section

Drawing

Ref. No.	Part No.	Part Name	Qty	Remarks
34	356F10816	Bracket	2	
35	376F0116	Filter	2	
36	322F2042	Bearing	8	
37	318F3903	Grommet	1	
38	318F9025	Grommet	1	
39	358F0637B	Cover	1	
40	119H0228	Fan	1	PETIT ACE38
41	350F0256	Nut	2	
42	314F0090	Bracket	2	B-1027-3

Drawing

Ref. No.	Part No.	Part Name	Qty	Remarks
43	608H0007	LCD	1	
44	113H0021A	Board assy	1	NMK
45	352F0239A	Panel	1	
46	405F8283	Label	1	
47	114FP108056A	ROM	1	
48	113H0219C	Board assy	1	
①	126H0074	Indicator assy	1	
②	857H0052A	Board assy	1	NMC



● Feed rack

Drawing

Ref. No.	Part No.	Part Name	Qty	Remarks
1	362F0231	Support	12	
2	313F0128A	Rod	10	
3	363F0571A	Guide plate	1	
4	349F0216A	Side board	2	
5	319F1520A	Screw shaft	5	
6	319F1524A	Screw shaft	2	
7	310F0138	Screw shaft	2	
8	327F1121603	Spur gear	2	
9	322FC092	Bearing	14	
10	338S0001	Ring	5	
11	338F0146	Collar	2	
12	338F0105	Ring	8	
13	327F5151803	Worm wheel	2	
14	319F1523A	Screw shaft	2	
15	388F2073	Coil spring	55	
16	322FC049	Bearing	156	
17	349F0216A	Side board	2	

Drawing

Ref. No.	Part No.	Part Name	Qty	Remarks
18	319F1519A	Screw shaft	5	
19	334F2277	Resin roller	1	
20	334F2274	Resin roller	5	
21	334F2276	Resin roller	17	
22	338F8614182	Ring	103	
23	327F1122013	Spur gear	2	
24	338F8614182	Ring	103	
25	327F1121601	Spur gear	6	
26	338F8614182	Ring	103	
27	327F1122006	Spur gear	71	
①	327F5151804	Worm wheel assy	2	
②	327F1122016	Spur gear assy	2	
③	327F1121602	Spur gear assy	6	
④	327F1122017	Spur gear assy	71	
●	802F0139B	Feed rack assy		Parts 1 to 27

● Developer rack

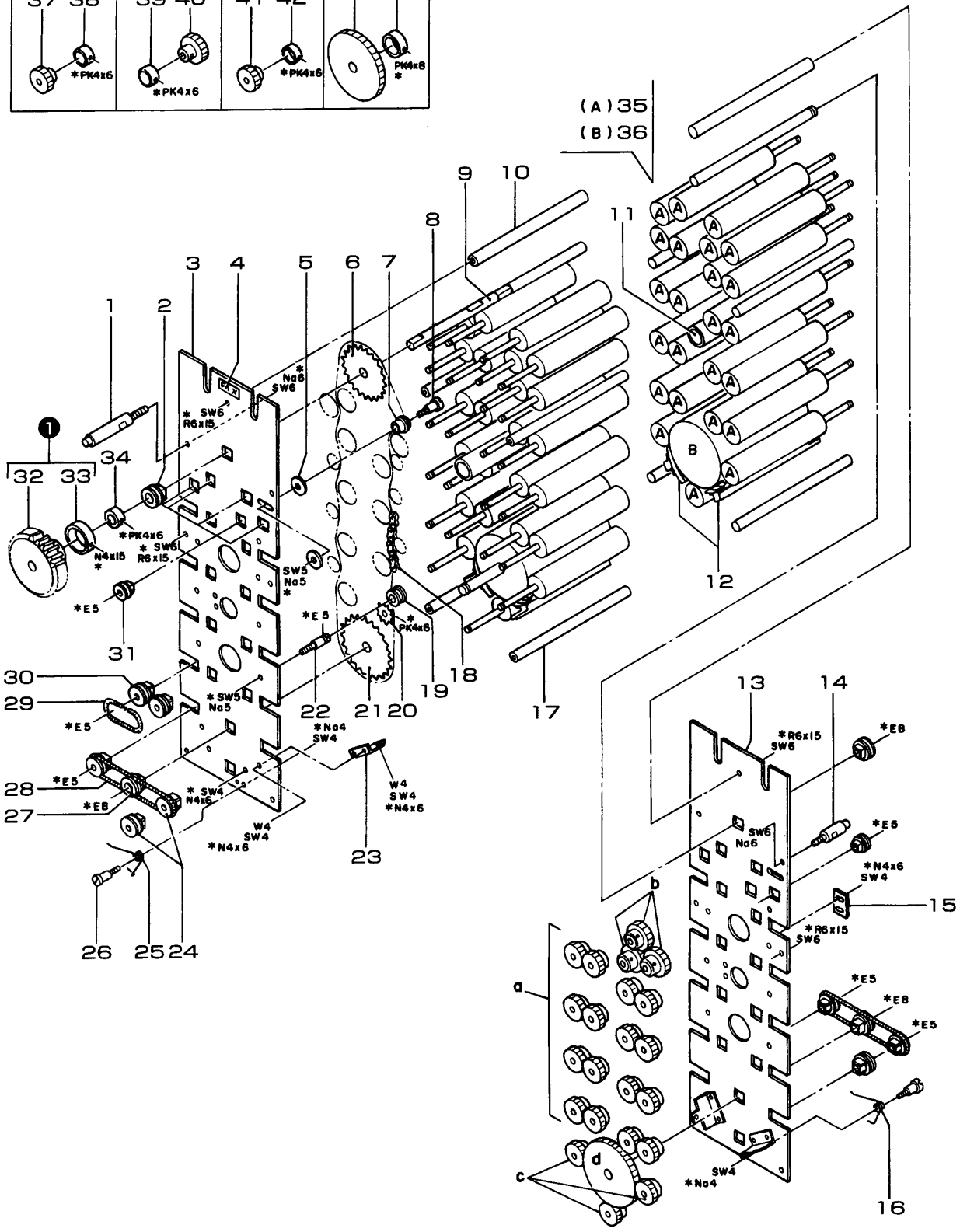
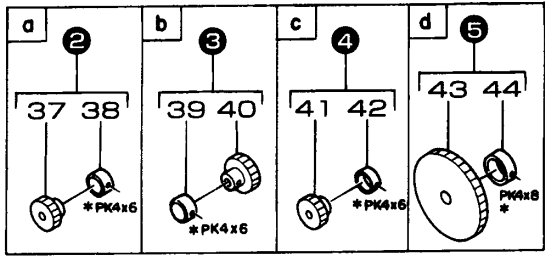
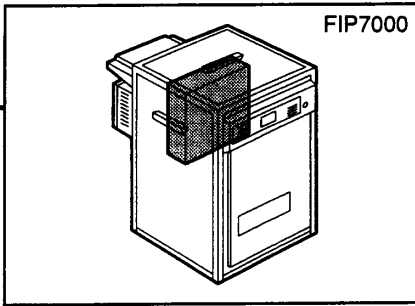
Drawing

Ref. No.	Part No.	Part Name	Qty	Remarks
1	304F0006	Wing bolt	2	
2	332F0086	Bracket	1	
3	310F0140	Screw shaft	2	
4	349F0213B	Side board	2	
5	405F8319231	Name plate	4	DEV.
6	309F0022	Washer	9	
7	319F1525	Screw shaft	24	
8	338F0149	Idler	9	
9	325FJ105224	Micro chain	224-links, for RS11-SS	
10	326F2015501	Sprocket	1	55-tooth, for RS11-SS
11	327F1126002	Spur gear	2	
12	319F1514A	Rod	3	
13	313F0126A	Rod	3	
14	313F0127	Rod	10	
15	313F0127	Rod	10	
16	363F2268A	Guide plate	2	
17	349F0213B	Side board	2	
18	319F1517A	Screw shaft	6	
19	388F3046	Tension spring	6	
20	313F0129	Rod	2	
21	345F0381	Partition	1	
22	319F1535	Screw shaft	1	
23	338F0148	Collar	1	
24	326F2012201	Sprocket	15	22-tooth, for RS11-SS
25	346F0224	Adjustment plate	1	
26	362F0232	Support	12	
27	310F0137	Screw shaft	12	
28	388F3045	Tension spring	6	

Drawing

Ref. No.	Part No.	Part Name	Qty	Remarks
29	322FC049	Bearing	156	
30	322FC094	Bearing	6	
31	322FC049	Bearing	156	
32	388F2069	Coil spring	21	
33	388F2073	Coil spring	55	
34	322FC091	Bearing	36	
35	338F8614184	Ring	4	
36	327F5154501	Worm wheel	3	
37	338S0001	Ring	5	
38	322FC092	Bearing	14	
39	322FC049	Bearing	156	
40	319F1516A	Screw shaft	5	
41	334F2273	Resin roller	9	
42	334F3099A	Rubber roller	12	
43	334F2252	Resin roller	11	
44	334F3103	Rubber roller	1	
45	327F1122006	Spur gear	71	
46	338F8614182	Ring	103	
47	338F8614182	Ring	103	
48	327F1122401	Spur gear	9	
49	338F8614182	Ring	103	
50	327F1121601	Spur gear	6	
①	327F0010	Gear assy	1	
②	327F5154502	Worm wheel assy	3	
③	327F1122017	Spur gear assy	71	
④	327F1122402	Spur gear assy	9	
⑤	327F1121602	Spur gear assy	6	
●	802F0136C	Developer rack assy	1	Parts 1 to 50

Fixer rack



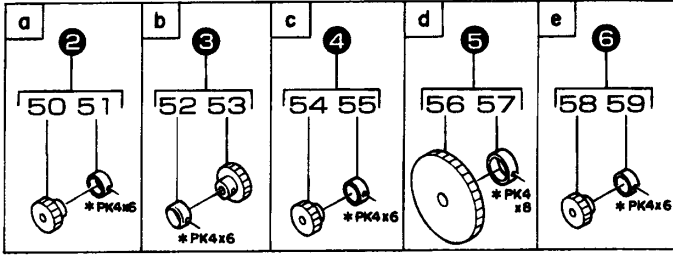
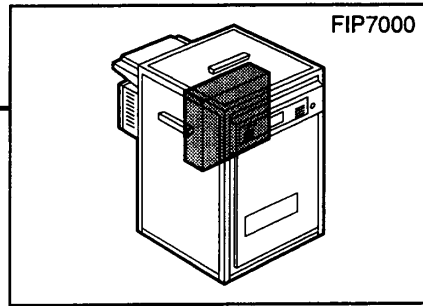
● Fixer rack

Drawing

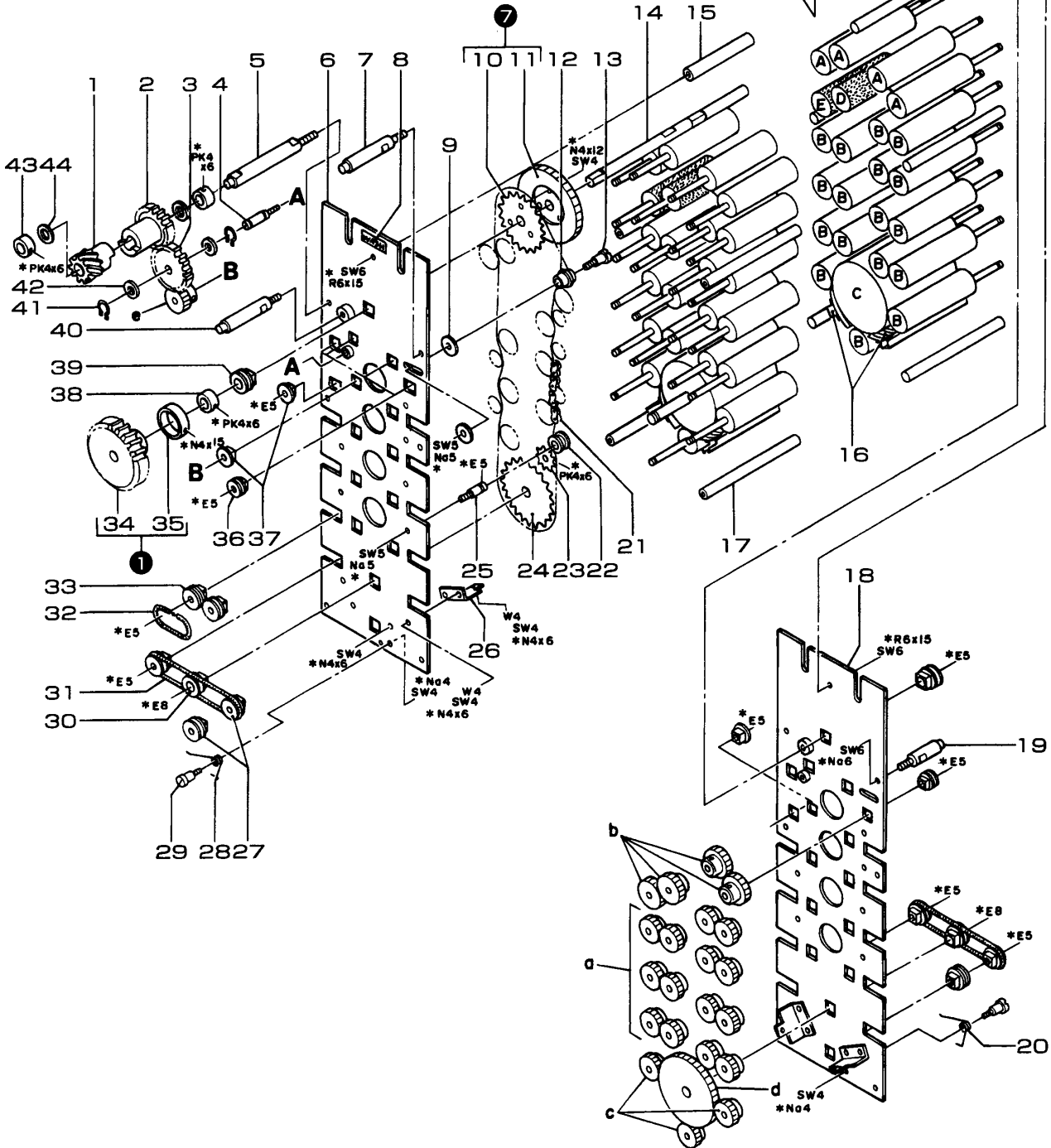
Ref. No.	Part No.	Part Name	Qty	Remarks
1	319F1516A	Screw shaft	5	
2	322FC092	Bearing	14	
3	349F0214B	Side board	2	
4	450F8319232	Name plate	4	FIX.
5	309F0022	Washer	9	
6	326F1013005	Sprocket	1	30-tooth, for RS25
7	362F0234	Idler	2	
8	319F1528	Screw shaft	2	
9	319F1514A	Rod	3	
10	313F0126A	Rod	3	
11	371F8614311	Spray pipe	1	
12	363F0572A	Guide plate	6	
13	349F0214B	Side board	2	
14	319F1517A	Screw shaft	6	
15	401F8614312	Adjustment plate	2	
16	388F3046	Tension spring	6	
17	313F0127	Rod	10	
18	325FF105140	Roller chain	140	Links for RS25
19	338F0150	Idler	13	
20	326F1011211	Sprocket	21	12-tooth, for RS25
21	326F1013604	Sprocket	2	36-tooth, for RS25
22	319F1525	Screw shaft	24	
23	362F0232	Support	12	
24	322FC049	Bearing	156	
25	388F3045	Tension spring	6	
26	310F0137	Screw shaft	12	

Drawing

Ref. No.	Part No.	Part Name	Qty	Remarks
27	322FC050	Bearing	4	
28	388F2072	Coil spring	6	
29	388F2073	Coil spring	55	
30	322FC049	Bearing	156	
31	322FC091	Bearing	36	
32	327F5154501	Worm wheel	3	
33	338F8614184	Ring	4	
34	338S0001	Ring	5	
35	334F2251	Resin roller	41	
36	334F2272B	Resin roller	2	
37	327F1122006	Spur gear	71	
38	338F8614182	Ring	103	
39	338F8614182	Ring	103	
40	327F1122401	Spur gear	9	
41	327F8614142	Spur gear	6	
42	338F8614182	Ring	103	
43	327F1126001	Spur gear	4	
44	338F0105	Ring	8	
①	327F5154502	Worm wheel assy	3	
②	327F1122017	Spur gear assy	71	
③	327F1122402	Spur gear assy	9	
④	327F1122019	Spur gear assy	6	
⑤	327F1126003	Spur gear assy	4	
●	802F0137C	Fixer rack assy	1	Parts 1 to 44



- (A) 45
- (B) 46
- (C) 47
- (D) 48
- (E) 49



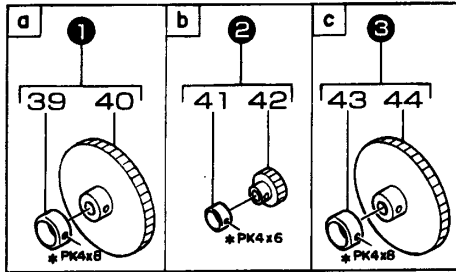
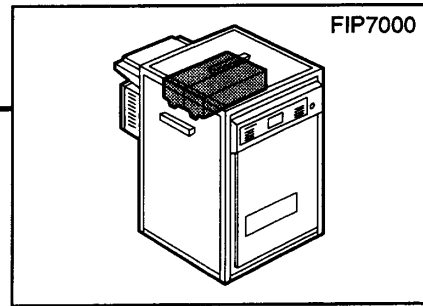
● Washer rack

Drawing

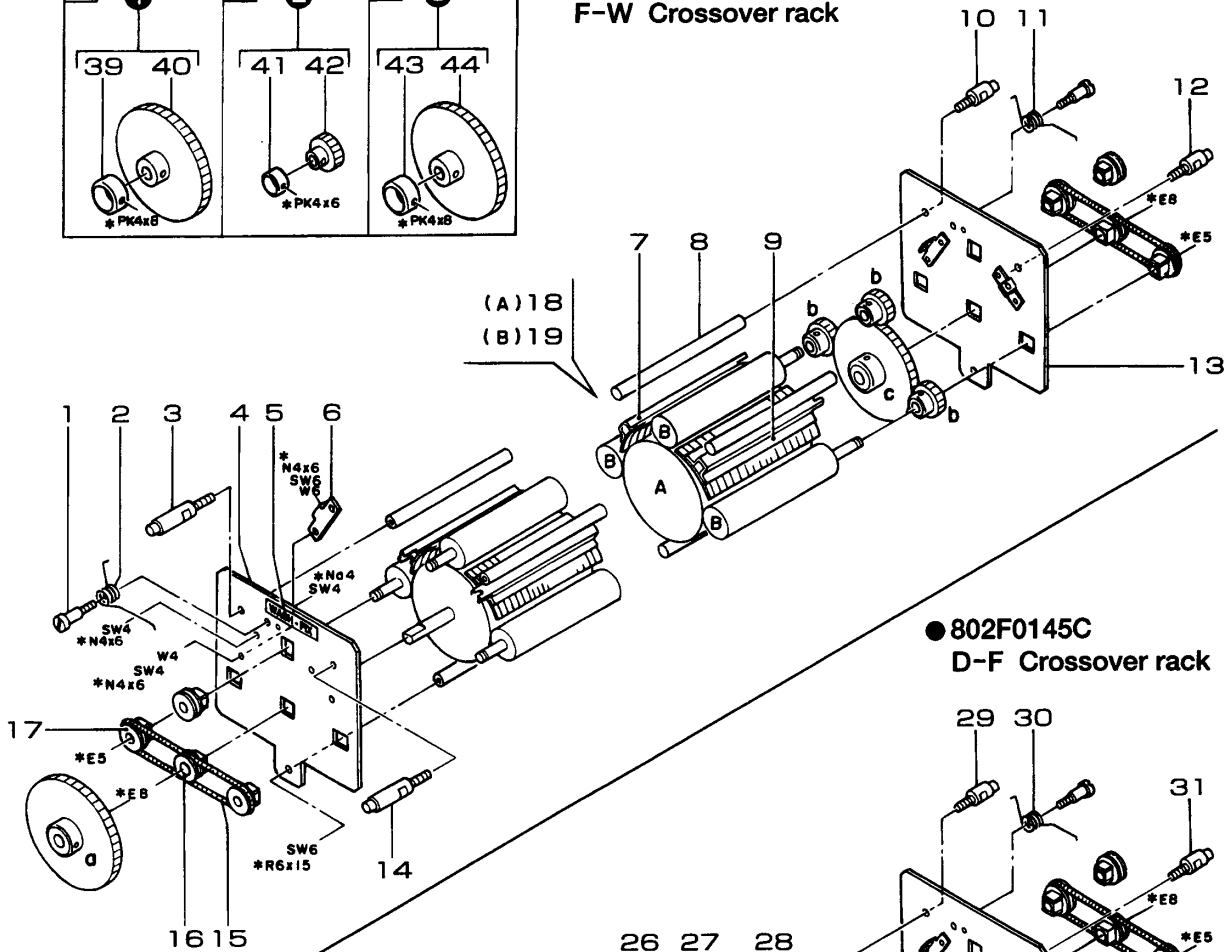
Ref. No.	Part No.	Part Name	Qty	Remarks
1	327F2151311	Helical gear	1	
2	327F1123202	Spur gear	1	
3	327F1123801	Spur gear	1	
4	319F1526	Screw shaft	1	
5	319F1518A	Screw shaft	1	
6	349F0215C	Side board	2	
7	319F1516A	Screw shaft	5	
8	405F8319233	Name plate	2	
9	309F0022	Washer	9	
10	326F1013004	Sprocket	1	30-tooth, for RS25
11	327F1126003	Spur gear	2	
12	362F0234	Idler	2	
13	319F1528	Screw shaft	2	
14	319F1514A	Rod	3	
15	313F0126A	Rod	3	
16	363F0572A	Guide plate	6	
17	313F0127	Rod	10	
18	349F0215C	Side board	2	
19	319F1517A	Screw shaft	6	
20	388F3046	Tension spring	6	
21	325FF105133	Roller chain	133-links for RS25	
22	338F0150	Idler	13	
23	326F1011211	Sprocket	21	12-tooth, for RS25
24	326F1013604	Sprocket	2	36-tooth, for RS25
25	319F1525	Screw shaft	22	
26	362F0232	Support	12	
27	322FC049	Bearing	156	
28	388F3045	Tension spring	6	
29	310F0137	Screw shaft	12	
30	322FC050	Bearing	4	
31	388F2072	Coil spring	6	
32	388F2073	Coil spring	55	
33	322FC049	Bearing	156	
34	327F5154501	Worm wheel	3	

Drawing

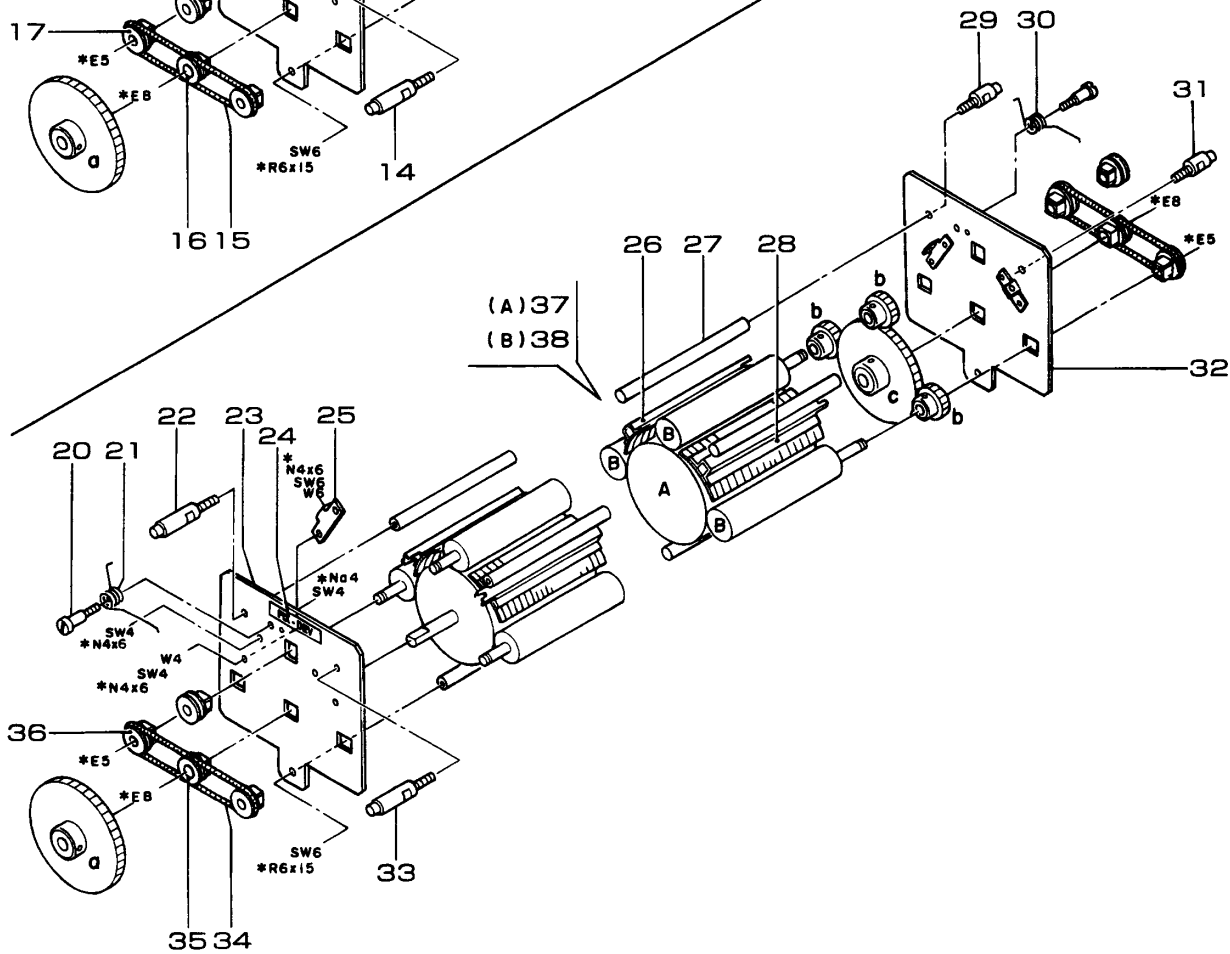
Ref. No.	Part No.	Part Name	Qty	Remarks
35	338F8614184	Ring	4	
36	322FC091	Bearing	36	
37	322FC093	Bearing	4	
38	338S0001	Ring	5	
39	322FC092	Bearing	14	
40	319F1536	Screw shaft	1	
41	315F1360070	C-Ring	2	C-7
42	322F2002	Bearing	2	TW0715
43	338F0147	Collar	2	
44	322F2006	Bearing	2	TW1225
45	334F2273	Resin roller	9	
46	334F2251	Resin roller	41	
47	334F2272C	Resin roller	2	
48	334F5013	Brush roller	1	
49	334F5014	Brush roller	1	
50	327F1122006	Spur gear	71	
51	338F8614182	Ring	103	
52	338F8614182	Ring	103	
53	327F1122401	Spur gear	9	
54	327F8614142	Spur gear	6	
55	338F8614182	Ring	103	
56	327F1126001	Spur gear	4	
57	338F0105	Ring	8	
58	327F1122014	Spur gear	1	
59	338F8614182	Ring	103	
①	327F5154502	Worm Wheel assy	3	
②	327F1122017	Spur gear assy	71	
③	327F1122402	Spur gear assy	9	
④	325F1122019	Spur gear assy	6	
⑤	327F1126003	Spur gear assy	4	
⑥	327F1122018	Spur gear assy	1	
⑦	327F0011	Spur gear assy	1	
●	802F0138D	Washer rack assy	1	Parts 1 to 59



● 802F0141C
F-W Crossover rack



● 802F0145C
D-F Crossover rack



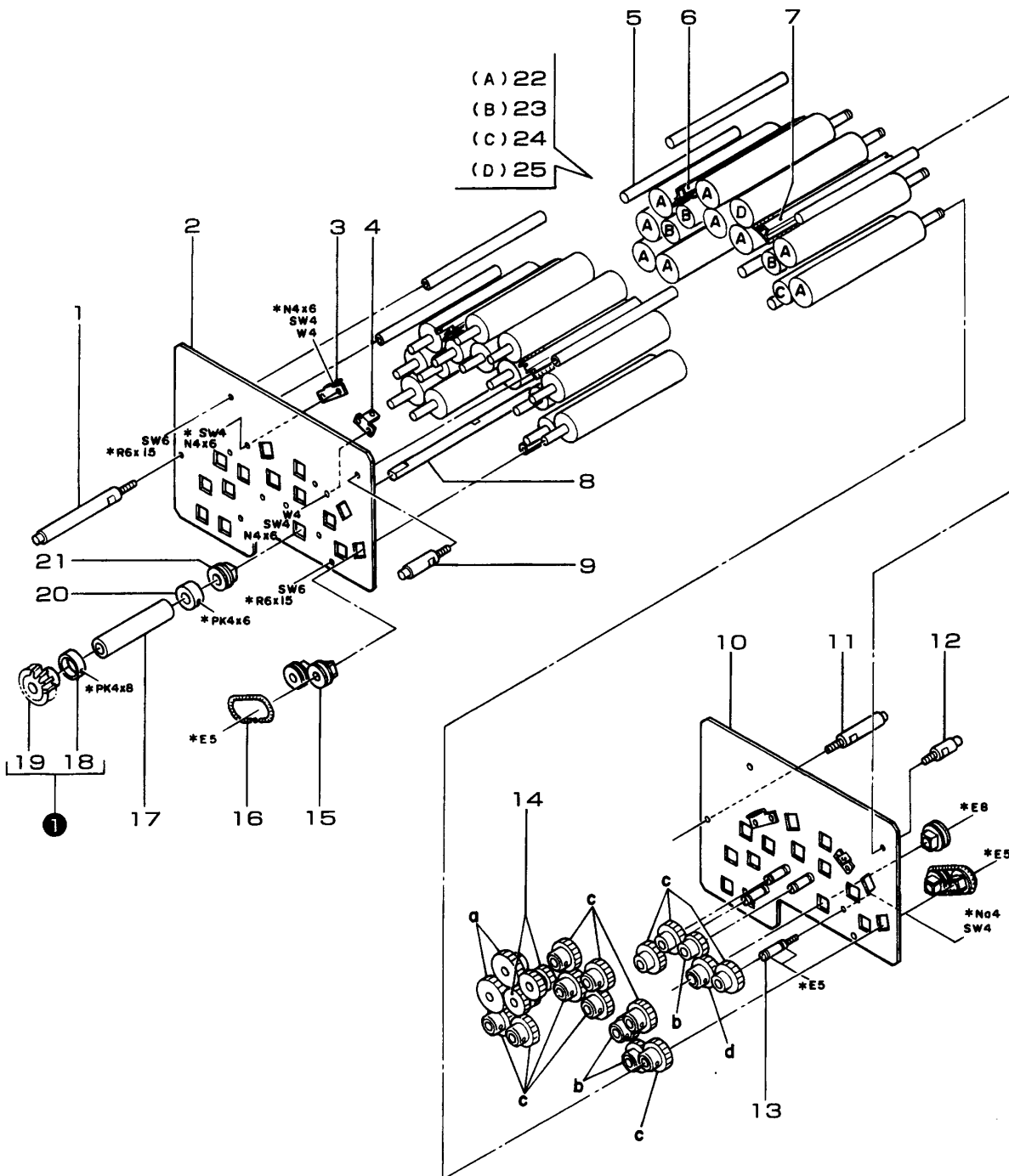
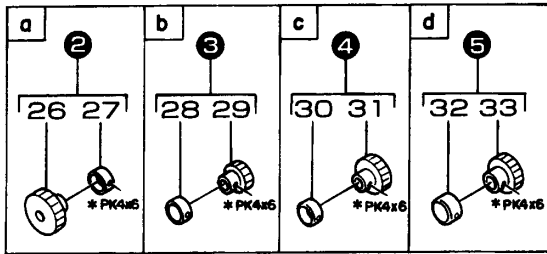
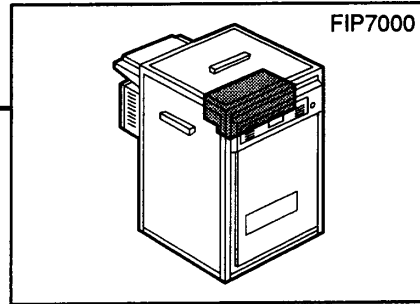
● F-W-D-F Crossover racks

Drawing

Ref. No.	Part No.	Part Name	Qty	Remarks
1	310F0137	Screw shaft	12	
2	388F3045	Tension spring	6	
3	319F1519A	Screw shaft	5	
4	349F0217A	Side board	2	
5	405F8319235	Name plate	2	WASH-FIX.
6	362F0231	Support	12	
7	363F0572A	Guide plate	6	F-W
8	313F0128A	Rod	10	
9	363F0572A	Guide plate	6	F-W
10	319F1520A	Screw shaft	5	
11	388F3046	Tension spring	6	
12	319F1520A	Screw shaft	5	F-W
13	349F0217A	Side board	2	
14	319G1519A	Screw shaft	5	F-W
15	388F2072	Tension spring	6	
16	322FC092	Bearing	14	
17	322FC049	Bearing	156	
18	334F2275C	Resin roller	1	
19	334F2276	Resin roller	16	
20	310F0137	Screw shaft	12	
21	388F3045	Tension spring	6	
22	319F1519A	Screw shaft	5	
23	349F0217A	Side board	2	
24	405F8319234	Name plate	2	FIX-DEV.
25	362F0231	Support	12	
26	363F0678A	Guide plate	2	D-F
27	313F0128A	Rod	10	

Drawing

Ref. No.	Part No.	Part Name	Qty	Remarks
28	363F0678A	Guide plate	2	D-F
29	319F1520A	Screw shaft	5	
30	388F3046	Tension spring	6	
31	319F1521A	Screw shaft	1	D-F
32	349F0217A	Side board	2	
33	319F1522A	Screw shaft	1	D-F
34	388F2072	Tension spring	6	
35	322FC092	Bearing	14	
36	322FC049	Bearing	156	
37	334F2275C	Resin roller	1	
38	334F2276	Resin roller	16	
39	338F0105	Ring	8	
40	327F1127201	Spur gear	2	
41	338F8614182	Ring	103	
42	327F8613321	Spur gear	6	
43	338F0105	Ring	8	
44	327F1126001	Spur gear	4	
①	327F1127202	Spur gear assy	2	
②	327F1122020	Spur gear assy	6	
③	327F1126003	Spur gear assy	4	
●	802F0145C	Crossover rack assy	1	D-F Parts 20 to 38, 39 to 44
●	802F0141C	Crossover rack assy	1	F-W Parts 1 to 19, 39 to 44



● Squeegee rack

Drawing

Ref. No.	Part No.	Part Name	Qty	Remarks
1	319F1523A	Screw shaft	2	
2	349F0218B	Side board	2	
3	362F0231	Support	12	
4	362F0015	Support	2	
5	313F0128A	Rod	10	
6	363F0574A	Guide plate	1	
7	363F0573A	Guide Plate	1	
8	319F1515A	Screw shaft	1	
9	319F1519A	Screw shaft	5	
10	349F0218B	Side board	2	
11	319F1524A	Screw shaft	2	
12	319F1520A	Screw shaft	5	
13	319F1527	Screw shaft	4	
14	327F8613542	Spur gear	2	
15	322FC049	Bearing	156	
16	388F2073	Coil spring	55	
17	338F0146	Collar	2	
18	327F0105	Ring	8	
19	327F5151803	Worm wheel	2	
20	338S0001	Ring	5	

Drawing

Ref. No.	Part No.	Part Name	Qty	Remarks
21	322FC092	Bearing	14	
22	334F2276	Resin roller	16	
23	334F2274	Resin roller	5	
24	334F3102	Rubber roller	1	
25	334F2885	Resin roller	1	
26	327F8613541	Spur gear	2	
27	338F8614182	Ring	103	
28	338F8614182	Ring	103	
29	327F1121638	Spur gear	6	
30	338F8614182	Ring	103	
31	327F1122006	Spur gear	71	
32	338F8614182	Ring	103	
33	327F1122013	Spur gear	2	
●	327F5151804	worm wheel	2	
●	327F1152004	Spur gear assy	2	
●	327F1121602	Spur gear assy	6	
●	327F1122017	Spur gear assy	71	
●	327F1122016	Spur gear assy	2	
●	802F0142C	Squeegee rack assy	1	Parts 1 to 33

● Dryer rack

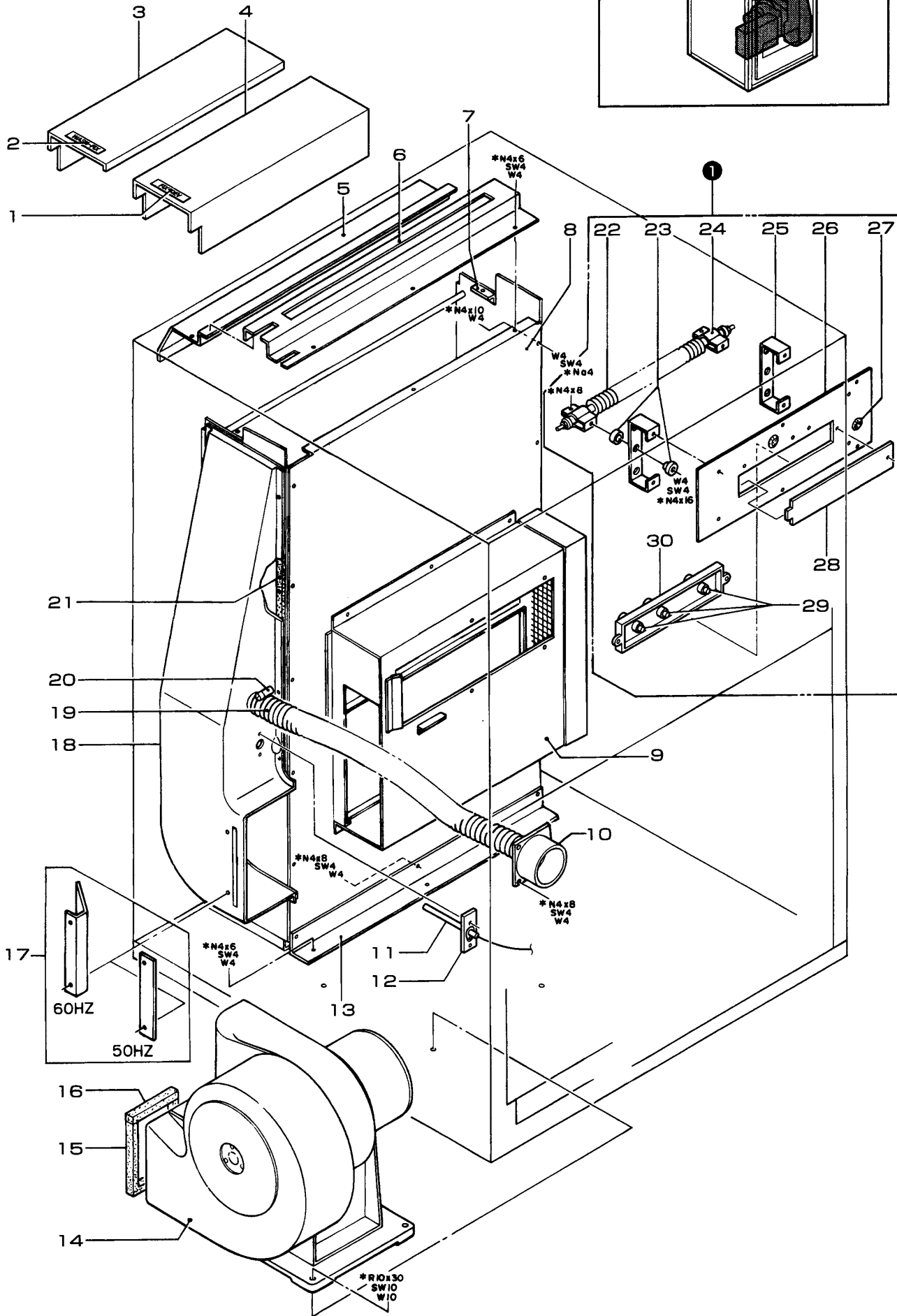
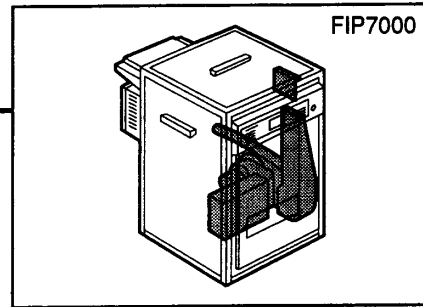
Drawing

Ref. No.	Part No.	Part Name	Qty	Remarks
1	323F1004	Belt	1	
2	335F8312294	Flange	2	
3	336F0006A	Drum	1	
4	338F8342732	Collar	1	
5	319F2975	Screw shaft	1	
6	322FA005	Bearing	8	
7	360F0125A	Housing	1	
8	327F5153601	Worm wheel	1	
9	338F8614184	Ring	4	
10	321S0021	Bearing assy	3	
11	356F5197	Bracket	1	
12	348F0182B	Bracket	1	
13	362F8317212A	Roller holder	4	
14	362F8319429	Roller holder	4	
15	362F0224	Bracket	2	
16	313F0131	Rod	4	
17	348F1336	Side board	1	
18	362F8317211	Roller holder	34	
19	308F0109	Nut	1	
20	350F0624	Adjustment plate	1	
21	324F8317252	Pully	19	
22	334F8617160	Resin roller	21	
23	371F0706	Air pipe	6	
24	388F8317222	Spring	17	
25	319F8317224	Screw shaft	17	
26	350F5903A	Cover	1	

Drawing

Ref. No.	Part No.	Part Name	Qty	Remarks
27	319F1533A	Screw shaft	3	
28	322FA005	Bearing	8	
29	324F8342831	wheel	3	
30	356F1051	Bracket	2	
31	348F0181B	Side board	1	
32	387F0010	Static remover	1	
33	345F0316A	Partition	1	
34	388F8234413	Coil spring	4	
35	362F8319432	Bearing	8	
36	334F8617160	Resin roller	21	
37	324F8317252	Pulley	19	
38	324F0003	Pulley	1	
39	362F0225	Bracket	1	
40	305F0003	Nut	1	
41	319F1534	Screw shaft	1	
42	319F1532	Screw shaft	1	
43	388F2157	Coil spring	1	
44	310F0136	Screw shaft	1	
45	363F3926	Guide plate	11	
46	371F0666A	Air pipe	11	
47	388F8614182	Ring	103	
48	327F1122006	Spur gear	71	
①	371F0145C	Air pipe assy	11	
②	327F1122017	Spur gear assy	71	

Dryer fan section



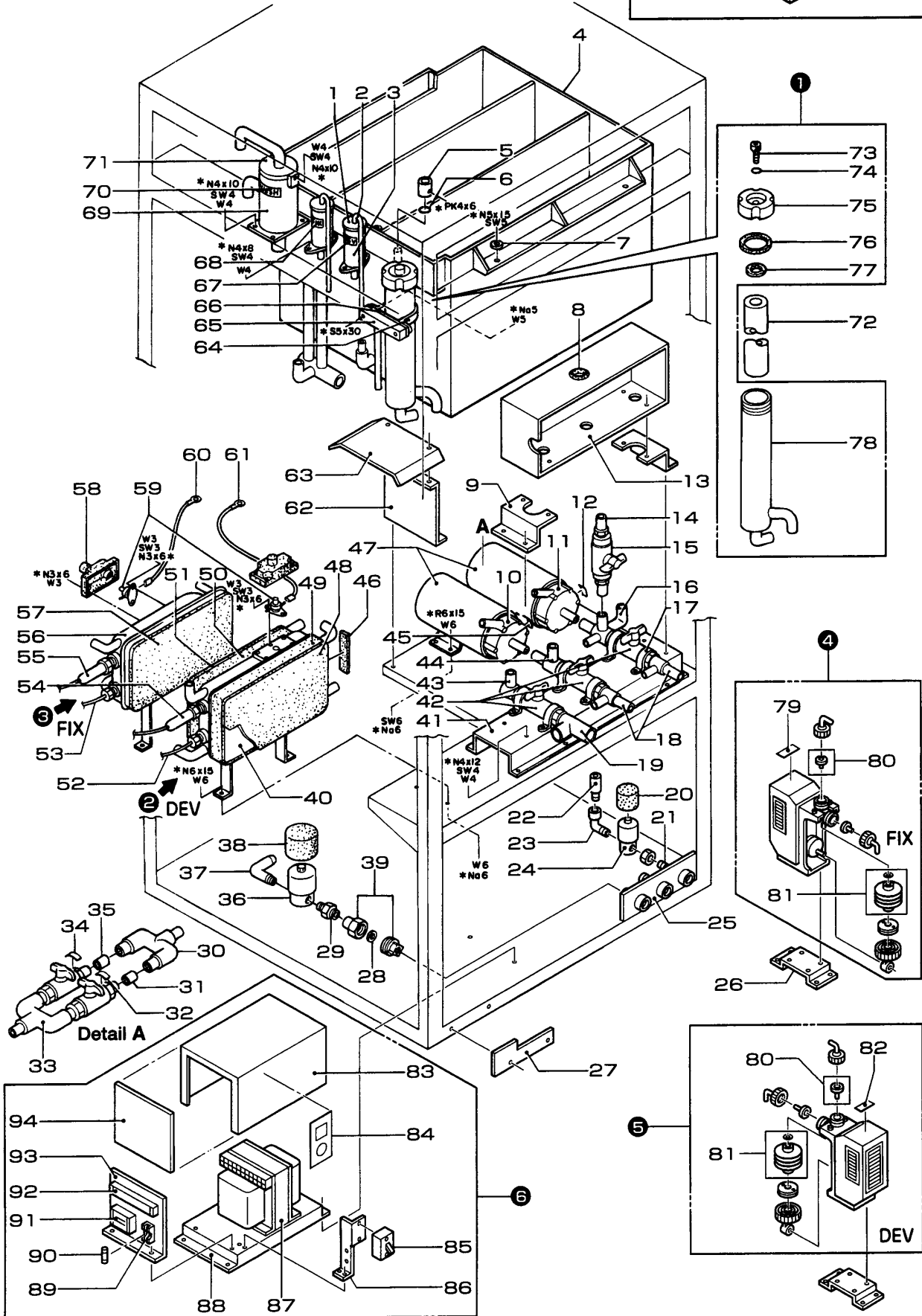
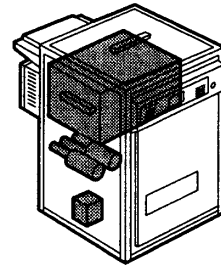
● Dryer fan section

Drawing

Ref. No.	Part No.	Part Name	Qty	Remarks
1	405F8319234	Name plate	1	Fix.-Dev.
2	405F8319235	Name plate	1	Wash-Fix.
3	350F0632	Cover	1	
4	350F0631	Cover	1	
5	345F0997	Partition	1	
6	345F0996	Partition	1	
7	362F0224	Bracket	2	
8	345F0314	Partition	1	
9	361F0040	Chamber	1	
10	372F0171A	Coupling	1	
11	115H0184	Thermistor	1	
12	356F10878	Bracket	1	
13	356F1049	Bracket	1	
14	119H227B	Fan	1	KOM-15-F5
15	382F0008-0400	Sponge tape	1	
16	382F0010-0150	Sponge tape	1	
17	345F1780A	Plate	1	(50Hz)

Drawing

Ref. No.	Part No.	Part Name	Qty	Remarks
17	345F1781A	Plate	1	(60Hz)
18	361F1157B	Chamber	1	
19	370FA001-064	Flexible hose	1	D: 32
20	316S2014	Clamp	9	ND-20
21	382F0008-1830	Sponge tape	1	
22	117F9279	Heater	3	
23	139F8317416	Insulator	6	
24	316F8337415	Element holder	6	
25	356F10954	Bracket	2	
26	350F5844A	Cover	1	
27	318F3108	Grommet	2	
28	350F5904	Cover	1	
29	115F1101	Bi-metal switch	1	
30	356F10953	Bracket	1	
●	803F0037	Heater assy	1	Parts 22 to 30



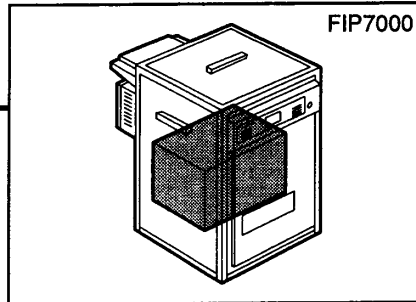
● Circulation line

Drawing

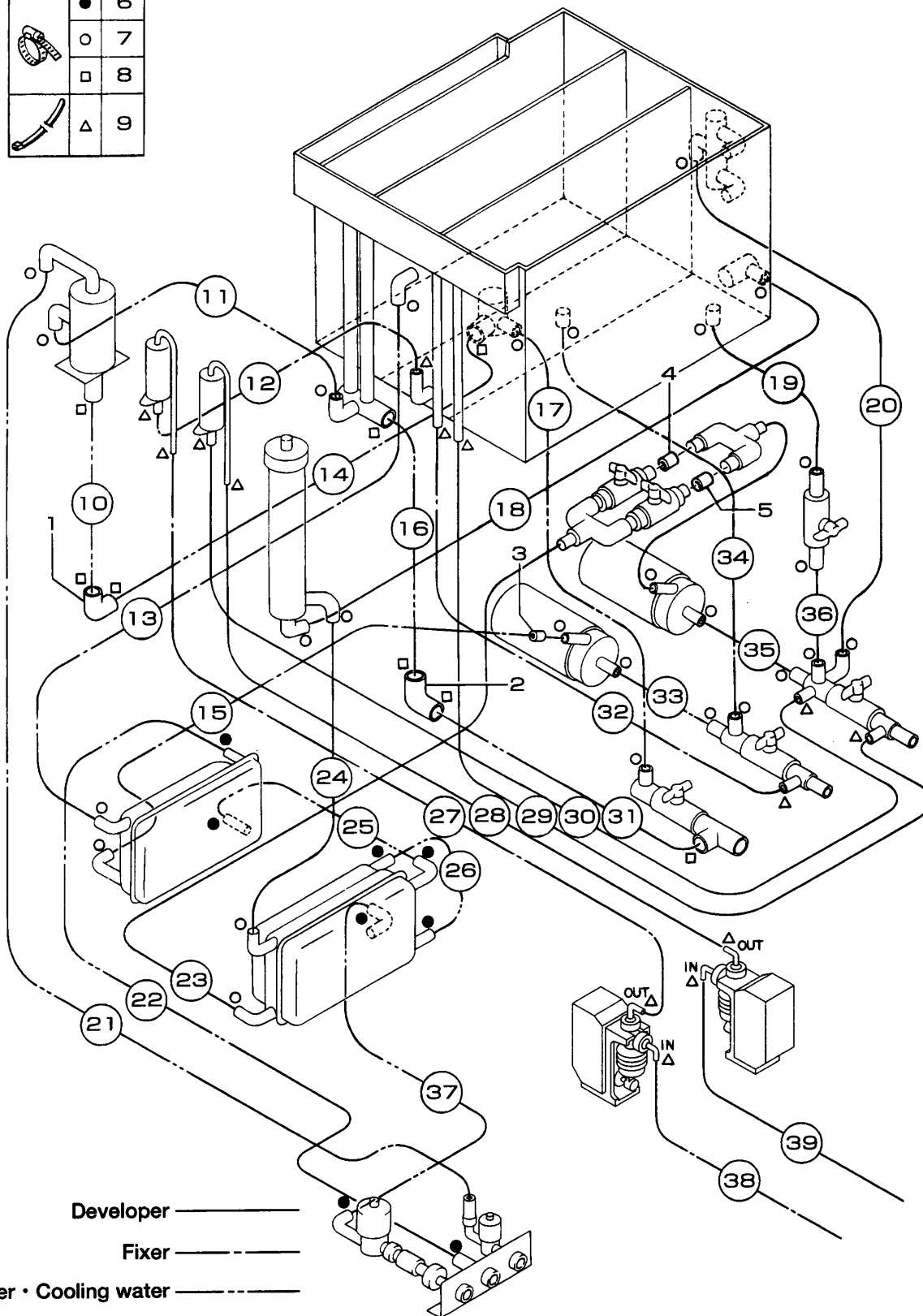
Ref. No.	Part No.	Part Name	Qty	Remarks
1	350F8618151	Lid	2	
2	371F8318212	Nozzle	2	
3	369F8318214	Canister	2	
4	359F0386B	Tank	1	
5	371F0138A	Nozzle	1	
6	375F0014	O-ring	1	P-15
7	309F0022	Washer	9	
8	318F3116	Grommet	1	
9	356F10871	Bracket	2	
10	133H0338B	Pump Fix.	1	Fix.
11	133H0337B	Pump Dev.	1	Dev.
12	405F8319231	Name plate	4	DEV.
13	350F5845C	Cover	1	
14	372F1617	Coupling	2	
15	374S1002	Ball valve	4	
16	372F1644	Coupling	1	
17	316F7002	Band	6	
18	372F1648	Coupling	2	
19	372F1646	Coupling	1	
20	372F2338	Cover	2	
21	371F0812	Nozzle	1	
22	371F0813	Nozzle	1	
23	372F1863	Elbow	1	
24	134F9188	Solenoid valve	1	
25	356F10880B	Bracket	1	
26	357F1540	Plate	2	
27	347F2062A	Spacer	1	
28	375F0059	Gasket	1	
29	372F0088	Coupling	1	
30	372F0231	Elbow joint	1	
31	374F3029	Orifice	1	5min
32	405F0494	Name plate	1	5min
33	372F0232	Elbow joint	1	
34	405F0495	Name plate	1	11min
35	374F3030	Orifice	1	11min
36	134H256A	Solenoid valve	1	
37	372F0230	Elbow	1	
38	372F2338	Cover	2	
39	372F0089	Coupling	1	
40	379F0096B	Heat exchanger	1	DEV.
41	357F1541A	Plate	1	
42	374S1002	Valve	4	
43	372F1645	Coupling	1	
44	372F1647	Coupling	1	
45	405F8319232	Name plate	4	FIX.
46	385F0174	Insulator	2	
47		Cover	2	
48	385F0160	Insulator	2	
49	385F0175	Insulator	1	
50	385F0176	Insulator	1	
51	385F0161	Insulator	1	
52	115H0182A	Thermistor Dev.	1	

Drawing

Ref. No.	Part No.	Part Name	Qty	Remarks
53	115H0183A	Thermistor Fix.	1	
54	117H0202B	Heater	2	DEV.
55	117H0203B	Heater	2	FIX.
56	379F0088B	Heat exchanger	1	FIX.
57	385F0160	Insulator	2	
58	350F0010	Cover	2	
59	115F1104	Bi-metal switch	2	
60	136H3989B	Cable	1	Fix.
61	136H3988B	Cable	1	Dev.
62	356F11239A	Bracket	1	
63	350F5996A	Cover	1	
64	316F7020	Band	1	
65	347F0255	Spacer	1	
66	347F0254	Spacer	1	
67	405F8319231	Name plate	4	DEV.
68	405F8319232	Name plate	4	FIX.
69	359F0074	Canister	1	
70	405F8319233	Name plate	2	WASH
71	343F0024	Lid	1	
72	376F0030A	Filter element	1	
73	308F8318148	Screw	1	
74	375S0001	O-ring	1	P-6
75	350F0625A	Lid	1	
76	375F0076	Gasket	1	
77	375F8618146	Gasket	1	
78	360F0126	Canister	1	
79	405F8319232	Name plate	4	FIX.
80	133F1452	Poppet valve	2	
81	133F1450	Bellows	2	
82	405F8319231	Name plate	4	DEV.
83	350F5848A	Cover	1	
84	350F5851A	Cover	1	
85	128F3142	Breaker	1	
86	356F10877A	Bracket	1	
87	108F0240	Transformer	1	
88	357F1542B	Support	1	
89	137F2103	Fuse holder	1	
90	137F1174	Fuse	1	
91	135F3141	Terminal board	1	TB1
92	135F3142	Terminal board	1	TB2
93	356F10874A	Bracket	1	
94	350F5850A	Cover	1	
①	376F0033	Filter assy	1	
②	379F0105B	Heat exchanger assy (DEV.)	1	Parts 40,46,48 to 51
③	379F0104B	Heat exchanger assy (FIX.)	1	Parts 56,57
④	133H0336A	Fix. Pump assy	1	KBM3YU4
⑤	133H0335A	Dev. Pump assy	1	KBM3YU4
⑥	108H0004	Transformer assy	1	



Clamps		
	●	6
	○	7
	□	8
	△	9



Developer —————

Fixer - - - - -

Washer · Cooling water - · - · - · -

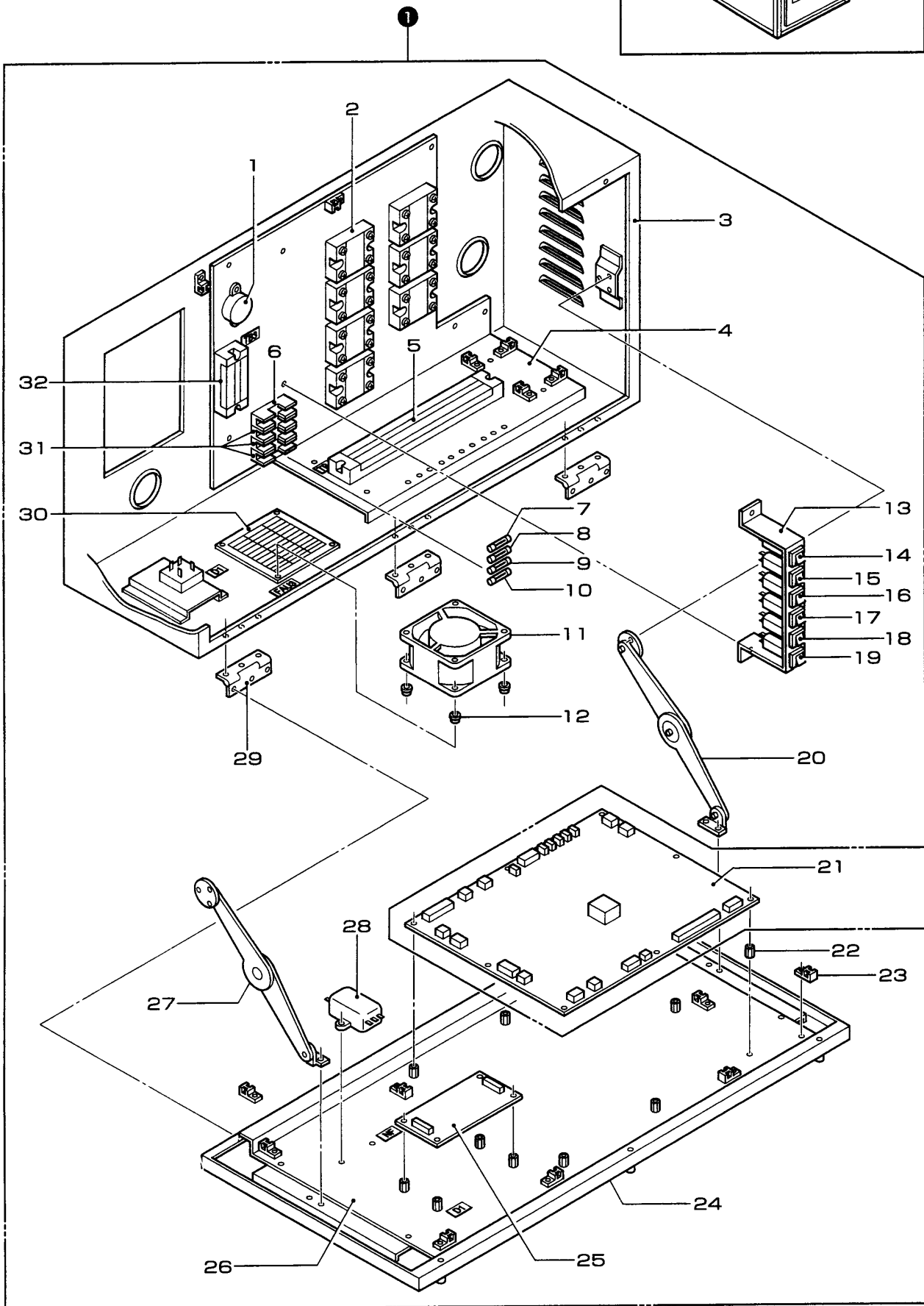
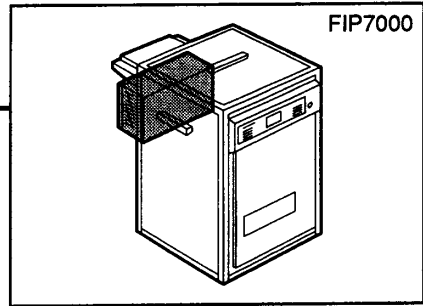
● Piping line

Drawing

Ref. No.	Part No.	Part Name	Qty	Remarks
1	372F8618213	Elbow	2	
2	372F8618213	Elbow	2	
3	374F8618222	Orifice	1	
4	374F3031	Orifice	1	11min
5	374F3029	Orifice	1	5min
6	316S2011	Clamp	10	ND-8
7	316S2012	Clamp	28	ND-10
8	316S2014	Clamp	9	ND-20
9	316S1001	Wire tie	14	

Special Drawing

Note	Ref.No.	Part No.	Part Name	Qty	Remarks
[B]	10	370S132E000	} Hose	1	35cm
[B]	11	370S112C000		1	45cm
[B]	12	370S112C000		1	29cm
[B]	13	370S119E000		1	35cm
[B]	14	370S112C000		1	33cm
[B]	15	370S119E000		1	38cm
[B]	16	370S132E000		1	37cm
[B]	17	370S112C000		1	38cm
[B]	18	370S119E000		1	80cm
[B]	19	370S119E000		1	6.5cm
[B]	20	370S119E000		1	48cm
[B]	21	370S112C000		1	146cm
[B]	22	370FG107000		1	85cm (Black)
[B]	23	370S119E000		1	70cm
[B]	24	370S119E000		1	7cm
[B]	25	370FG107000		1	33cm (Black)
[B]	26	370FG107000		1	30cm (Black)
[B]	27	370S107B000		1	140cm
[B]	28	370S107B000		1	140cm
[B]	29	370S119E000		1	68cm
[B]	30	370S112C000		1	120cm
[B]	31	370S132E000		1	37cm
[B]	32	370S119E000		1	57cm
[B]	33	370S119E000		1	5cm
[B]	34	370S119E000		1	37cm
[B]	35	370S119E000		1	5cm
[B]	36	370S119E000		1	6.5cm (Black)
[B]	37	370FG107000		1	71cm
[B]	38	370S107B000		1	30cm
[B]	39	370S107B000		1	30cm



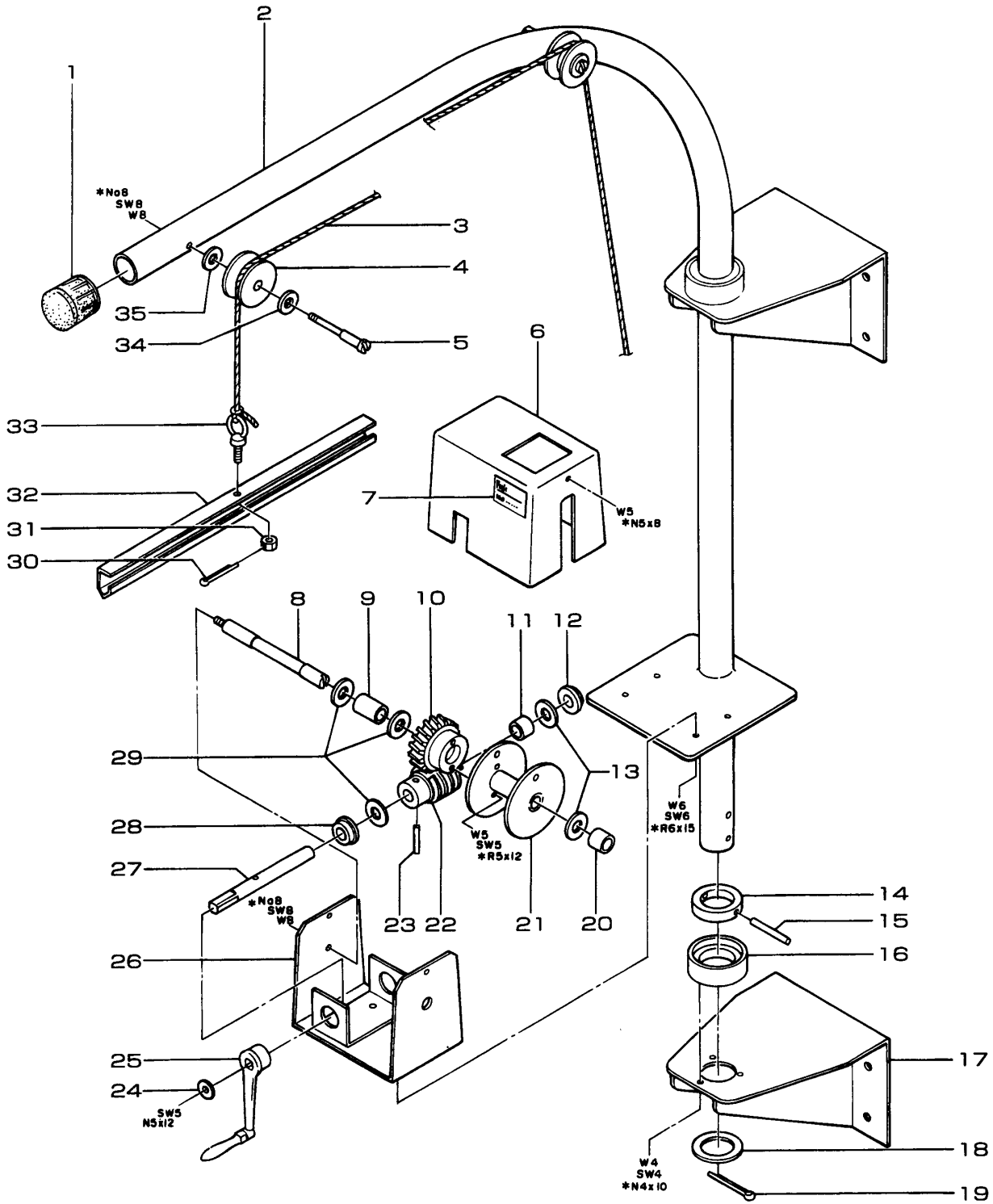
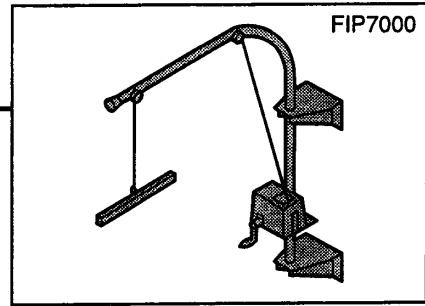
● Control box

Drawing

Ref. No.	Part No.	Part Name	Qty	Remarks
1	121F9009	Buzzer	1	
2	131F9006	SSR	7	
3	358F0638A	Box	1	
4	353F0323A	Support	1	
5	135F3138	Terminal board	1	TB4
6	137F2103	Fuse holder	1	
7	137F1168	Fuse	1	F1
8	137F1173	Fuse	1	F2
9	137F1059	Fuse	1	F3
10	137F1174	Fuse	1	F4
11	119H0226A	Fan	1	FAN3
12	322F2042	Bearing	4	
13	356F10850	Bracket	1	
14	128FA064	NFB	4	NFB1
15	128FA064	NFB	4	NFB2
16	128FA063	NFB	2	NFB3
17	128FA064	NFB	4	NFB4

Drawing

Ref. No.	Part No.	Part Name	Qty	Remarks
18	128FA063	NFB	2	NFB5
19	128FA064	NFB	4	NFB6
20	131F0063	Rod	1	
21	113H255A	Board assy	1	MUD
22	347F0728	Spacer	12	
23	316F1256	Lock	22	
24	350F5837A	Cover	1	
25	125F0145	Board	1	
26	353F0324	Support	1	
27	313F0062	Rod	1	
28	138F0021	Noise filter	1	NF1
29	314F0017	Bracket	3	
30	376F0116	Filter	1	
31	137F2103	Fuse holder	3	
32	135F3139	Terminal board	1	TB3
●	814H0208D	Control box	1	



● Rack hoist

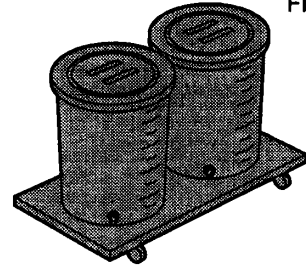
Drawing

Ref. No.	Part No.	Part Name	Qty	Remarks
1	367F0038	Rubber cup	1	
2	355F0141	Muster support	1	
3	383F0003	Rope	1	
4	334F3088	Pulley	2	
5	319F1441	Rod	2	
6	350F0754	Cover	1	
7	405S0003	Name plate	1	
8	319F1439	Rod	1	
9	338F0114	Collar	1	
10	327F3502001	Worm wheel	1	
11	338F0113	Collar	1	
12	322FC075	Bearing	2	
13	322F2032	Slide bearing	5	
14	338F0173	Ring	2	
15	310F1000558	Lock pin	2	
16	322F101	Bearing	2	
17	362F0272	Bracket	2	
18	309F0026	Washer	1	
19	310F4000460	Pin	1	φ 4X60

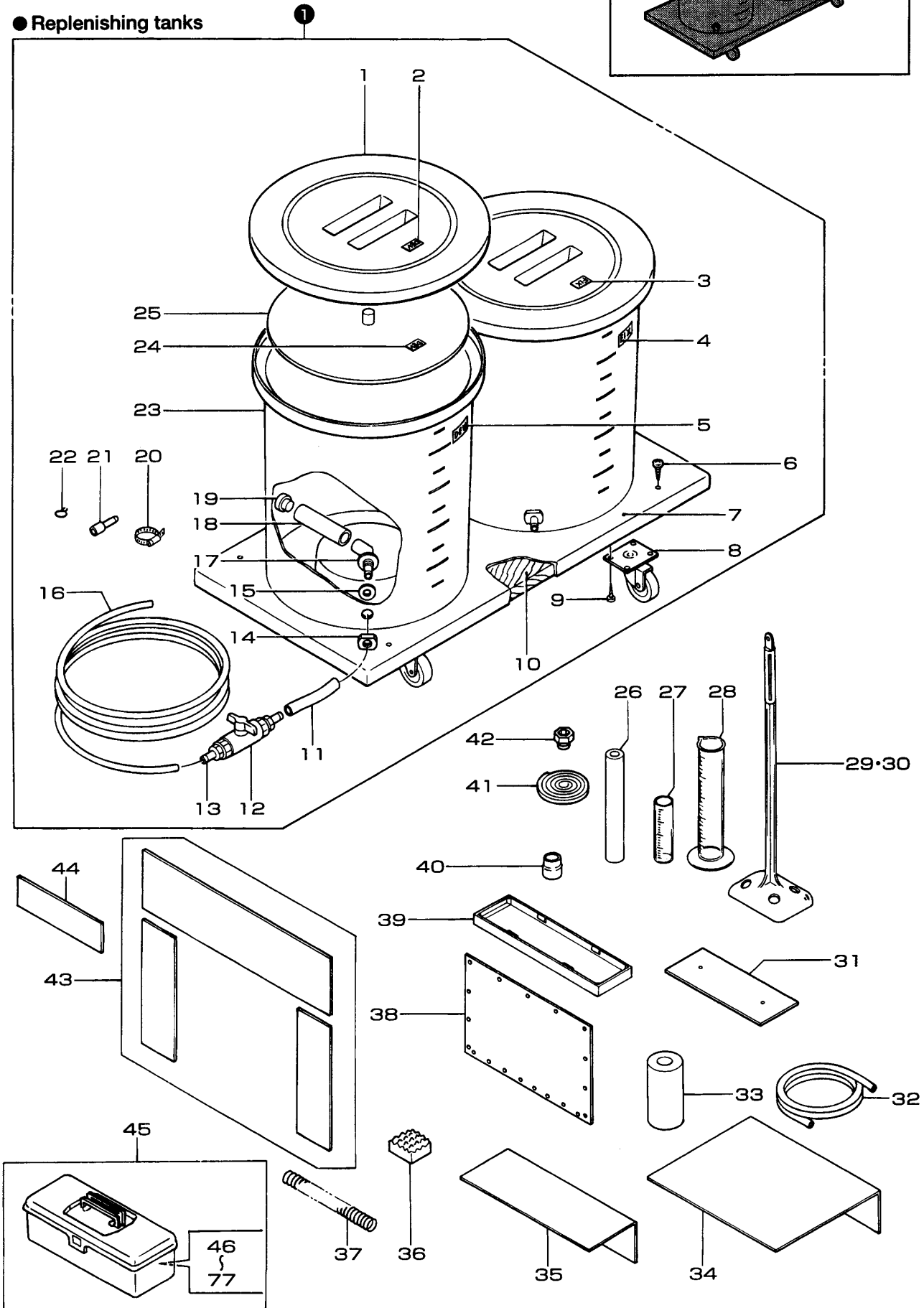
Drawing

Ref. No.	Part No.	Part Name	Qty	Remarks
20	338F0115	Collar	1	
21	333F0012	Reel	1	
22	327F4302R01	Worm	1	
23	310F2000536	Taper pin	1	φ 5X36
24	309F002	Washer	1	
25	339F0003	Handle	1	SC6RAS
26	356F0879	Bracket	1	
27	319F1616	Shaft	1	
28	322FC075	Bearing	2	
29	322F2032	Slide bearing	5	
30	310F4000216	Pin	1	φ 2X16
31	350S1110008	Nut	4	M8
32	343F0025	Hook	1	
33	304F0009	Bolt	1	M8
34	309F0120012	Washer	2	M12
35	309S0120008	Washer	2	M8
●	800F0002A	Rack hoist assy	1	Parts 1 ~ 35

FIP7000



● Replenishing tanks



● Replenishing tanks

Drawing

Ref. No.	Part No.	Part Name	Qty	Remarks
1	350F8733131A	Lid	2	
2	405F8369228	Name plate	3	DEV.
3	405F8369229	Name plate	3	FIX.
4	405F8369229	Name plate	3	FIX.
5	405F8369228	Name plate	3	DEV.
6	307F1005116	Screw	14	
7	350F8733312	Cover	1	
8	367F0022	Caster	4	
9	306F0003	Fixing screw	16	
10	357F8733311	Board	1	
11	370S112C000	Hose	2	10cm
12	374F2006	Valve	2	
13	372F8362411	Coupling	4	
14	308F8736164	Nut	2	
15	375F8733323	Gasket	2	

Drawing

Ref. No.	Part No.	Part Name	Qty	Remarks
16	370S112C000	Hose	2	500cm
17	371F8733322	Nozzle	2	
18	376S0001	Filter element	2	
19	317F8736161	Plug	2	
20	316F2035	Clamp	8	MC-6
21	372F8355331	Connector	2	
22	316F2015	Clamp	4	
23	359F8733321	Tank	2	
24	405F8369228	Name plate	3	DEV.
25	381F8733151A	Floating lid	2	
●	826F0028	Replenishing tank assy		Parts 1 to 25
●	826F873310	Tank stand assy	1	Parts 6 to 10
●	826F8733320	Tank assy	2	Parts 1,11,14,15, 17 to 19,23,25

● Accessories

Drawing

Ref. No.	Part No.	Part Name	Qty	Remarks
26	376F0030A	Filter element	1	DEV.
27	396F6002	Graduate	1	200ml
28	396F6003	Graduate	1	500ml
29	341F0121	Mixing rod	1	DEV.
30	341F0122	Mixing rod	1	FIX.
31	345F1780A	Partition	1	
32	370S119C000	Hose	1	3m
33		Filter element		
34	350F0638	Cover	1	
35	350F0629	Cover	1	

Drawing

Ref. No.	Part No.	Part Name	Qty	Remarks
36	403F0001	Washing sponge	1	
37	370FA005150	Flexible hose	1.5m	
38	345F0318A	Partition	1	
39	373F0028	Tray	1	
40	372F0101	Coupling	1	
41	382F0067-M002	Sponge tape	3	
42	318F0062	Bushing	1	
43	821F0009	Partition	1	
44	350F0639	Protection cover	1	

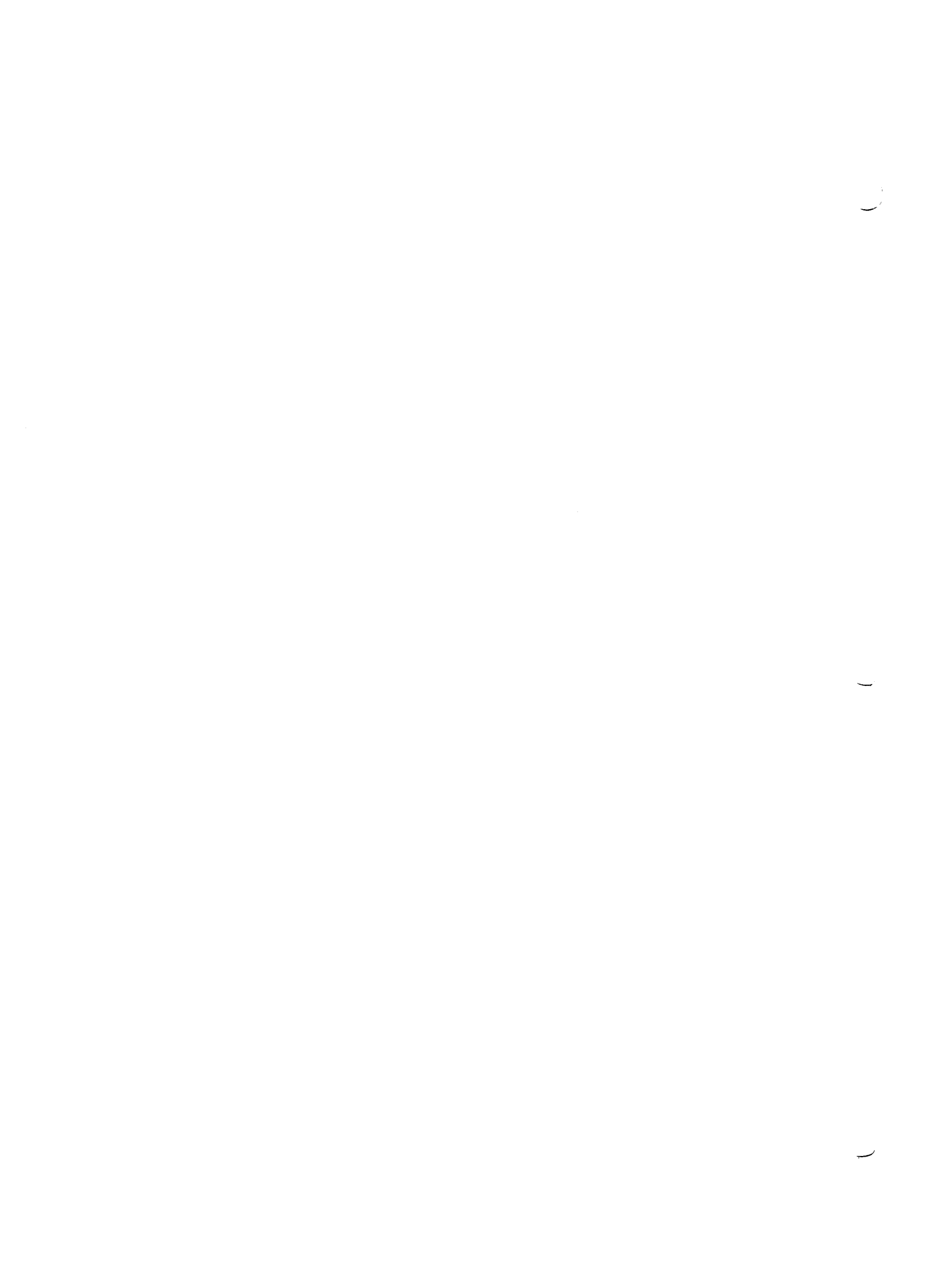
● Tool box contents

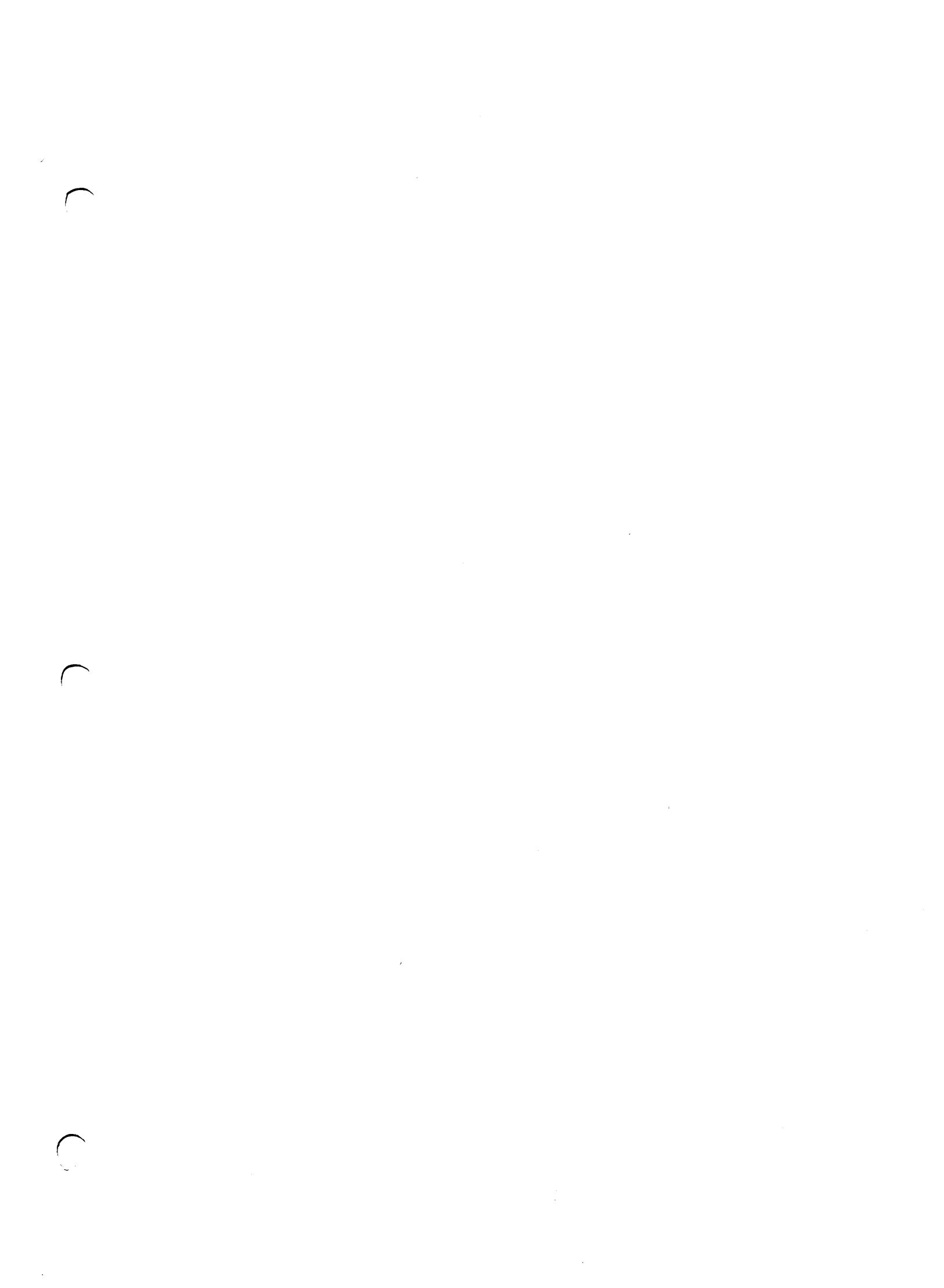
Drawing

Ref. No.	Part No.	Part Name	Qty	Remarks
45	890F0011	Tool box assy	1	
46	891F8239341	Vaselineum	1	
47	890F0002	Wrench	1	
48	890F0003	Plier	1	
49	890F0015	E-ring remover	1	
50	890F0005	Hexagonal wrench	1	
51	890F0020A	Wrench	1	
52	890F0004	Philips driver	1	
53	890F0007	Screw driver	1	
54	322FC091	Bearing	1	
55	322FC092	Bearing	1	
56	322FC093	Bearing	1	
57	322FC094	Bearing	1	
58	322FC049	Bearing	5	
59	137F1168	Fuse	1	MF61NM125V 5A AC05
60	137F1173	Fuse	1	MF61NM125V 2A AC05

Drawing

Ref. No.	Part No.	Part Name	Qty	Remarks
61	137F1059	Fuse		
62	137F1174	Fuse		
63	315S3360030	E-ring	2	E3
64	315S3360050	E-ring	202	E5
65	315S3360080	E-ring	13	E8
66	388F2069	Coil spring	5	103
67	388F2073	Coil spring	5	89
68	301S200406	Fixing screw	10	M4X6
69	301S200408	Fixing screw	10	M4X8
70	303S2000408	Fixing screw	10	M4X8
71	316S2018	Clamp	2	ND52
72	316S2012	Clamp	2	ND10
73	307F1414116	Screw	11	
74	347F8311184	Plate	4	
75	339S0001	Handle	1	
76	327F2151311	Helical gear	1	
77	374F2015	Flow valve	1	







FUJIFILM

FUJI PHOTO FILM CO., LTD.

26-30, Nishiazabu 2-chome, Minato-ku, Tokyo 106-8620, Japan