

Order No.: DD+DIS033.90E

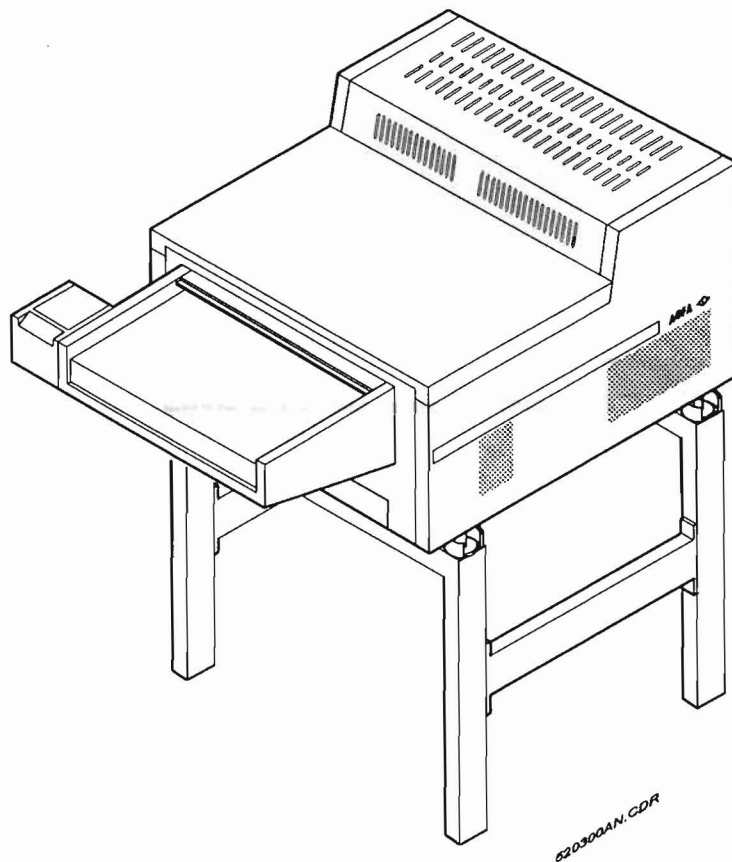


1 piece Y3F37 MA1

# STRUCTURIX NDT-M

## Type 5203/100/140

3rd Edition



**Caution:**

This system uses high voltage. Please consider the respective safety regulations.

These instructions describe adjustments and routines which must only be performed by qualified technical personnel.

**Note:**

Electrical repairs and connections must only be performed by a qualified electrician.

Mechanical repairs and connections must only be performed by a qualified technician.