

# KODAK INDUSTREX B 2000 Processor



HEALTH SCIENCES

**PLEASE NOTE**

The information contained herein is based on the experience and knowledge relating to the subject matter gained by Eastman Kodak Company prior to publication.

No patent license is granted by this information.

Eastman Kodak Company reserves the right to change this information without notice, and makes no warranty, express or implied, with respect to this information. Kodak shall not be liable for any loss or damage, including consequential or special damages, resulting from the use of this information, even if loss or damage is caused by Kodak's negligence or other fault.

**CAUTION**



This equipment includes parts and assemblies sensitive to damage from electrostatic discharge. Use caution to prevent damage during all service procedures.

## Table of Contents

Description	Page
<b>Component Lists</b> .....	3
Circuit Breaker - CB.....	3
Circuit Board - Bd.....	3
Connectors P and J.....	3
Film Counter Assembly.....	4
Filters - FL.....	4
Fuses - F.....	4
Ground Point - E.....	4
Heaters - HR.....	4
Motors - B.....	4
Power Supply - A.....	4
Pumps - See Motors.....	4
R/C Network - A.....	4
Relays - K.....	5
Solid State Relays - U.....	5
Sensors/Switches - S.....	5
Solenoids - L.....	5
Terminal Blocks - TB.....	5
Thermistors - RT.....	5
Transformers - T.....	5

## Component Lists

### Circuit Breaker - CB

	Page
CB1 Main Power, 35 amp.....	7, 11
CB2 Developer, Blower Motor, Power Supply, Recirculation and Replenishment Pumps.....	7, 11
CB3 Power Supply Inhibit K6, Solenoids.....	7, 11

### Circuit Board - Bd

	Page
100 Bd Logic.....	8, 10
200 Bd Cycle Adjustments.....	8, 10
300 Bd Feed-End Control Panel.....	12, 13
400 Bd Receiving-End Control Panel.....	14

### Connectors - P and J

	Page
A6J/P1 Motor Controller.....	7
J10 Safelight Receptacle, International.....	12
J11 Safelight Receptacle, Domestic.....	12
J20 Interface Jack.....	12
P/J1 Outgoing AC Power.....	11
P/J2 Incoming AC Power.....	8, 9
P/J3 Developer Heater, Recirculation Pump, Drive Motor Controller, Safelight Receptacles.....	8, 9
P/J4 Blower and Replenishment Pump Motors, Dryer Heater.....	8, 9
P/J5 Wash Solenoid, Developer Cooling Solenoid.....	8, 9
P/J6 Developer Thermistor, Developer Overtemperature Thermostat.....	8, 9
300 and 400 Circuit Board Assemblies, Drive Motor Controller, Cover Interlock Switches.....	8, 9
P/J7 Dryer Thermistor, 200, 300, 400 Circuit Board Assemblies.....	8, 9
P/J8 Developer Heater.....	15
P/J9 Recirculation Pump Motor.....	7
P/J12 Replenishment Pump Motor.....	7
P/J13 Blower Motor.....	6, 7, 16
P/J14 Dryer Heater.....	6, 16
P/J17 Developer Overtemperature Thermostat.....	15
P/J18 Developer Thermistor.....	15
P/J19 300 Circuit Board Assembly.....	6, 7
P/J21 Film Detector Switches.....	6, 7
P/J22 Film Detector Switch, drive side.....	6
P/J23 Film Detector Switch, non-drive side.....	6
P/J25 Dryer Thermistor.....	6
P/J26 Drive Motor.....	7
P/J27A Film Counter.....	8
P/J27B Film Counter.....	8
P/J101 DC Control.....	10
P/J102 Solenoid Control.....	10
P/J103 Developer Temperature Setting.....	10
P/J104 Clear Time Setting.....	10
P/J201 To 200 Circuit Board Assembly.....	10
P/J301 To 300 Circuit Board Assembly.....	13
P/J302 To 300 Circuit Board Assembly.....	13
P/J401 To 400 Circuit Board Assembly.....	14

**Film Counter Assembly - M**

M1 Counter.....	Page 8
-----------------	-----------

**Filters - FL**

FL1 Dryer Heater.....	Page 11
FL2 Blower Motor, Developer Heater, Recirculation and Replenishment Pumps, Power Supply.....	11
FL3 Power Supply Inhibit K6, Safelight Receptacles, Solenoids.....	11
FL4 Drive Motor Controller.....	11

**Fuses - F**

F1 Power Supply, 1 A.....	Page 8, 9
F2 Safelight Receptacle, 2 A.....	8
F3 Safelight Receptacle, 2 A.....	8

**Ground Point - E**

E1 Main Ground.....	Page 11
---------------------	------------

**Heaters - HR**

HR1 Dryer Heater.....	Page 6, 16
HR2 Developer Heater.....	15

**Motors - B**

B1 Dryer Blower.....	Page 6, 7, 16
B2 DC Drive.....	7
B3 Recirculation Pump.....	7
B4 Replenishment Pump.....	7

**Power Supply - A**

A5 DC Power Supply.....	Page 8
A6 Drive Motor Controller.....	7

**Pumps - See Motors**

**R/C Network - A**

A1 Blower Motor.....	Page 8
A2 Replenishment Pump Motor.....	8

### Relays - K

	Page
K1 Standby .....	8
K2 Developer Overtemperature .....	8
K3 Safelight Receptacles .....	8
K4 Drive Interlock .....	8
K5 Replenishment Pump .....	8
K6 Power Supply Inhibit .....	8

### Solid State Relays - U

	Page
U1 Dryer Heater .....	8
U2 Developer Heater .....	8

### Sensors/Switches - S

	Page
S1 Dryer Overtemperature Thermostat .....	12, 16
S2 Developer Overtemperature Thermostat .....	15
S3 Film Detector, drive side .....	6
S4 Film Detector, non-drive side .....	6
S6 Standby Bypass .....	8
S7 Cover Interlock .....	6
S8 Dryer Interlock .....	16

### Solenoids - L

	Page
L1 Water Input Solenoid .....	7
L2 Developer Cooling/Dump Solenoid .....	6

### Terminal Blocks - TB

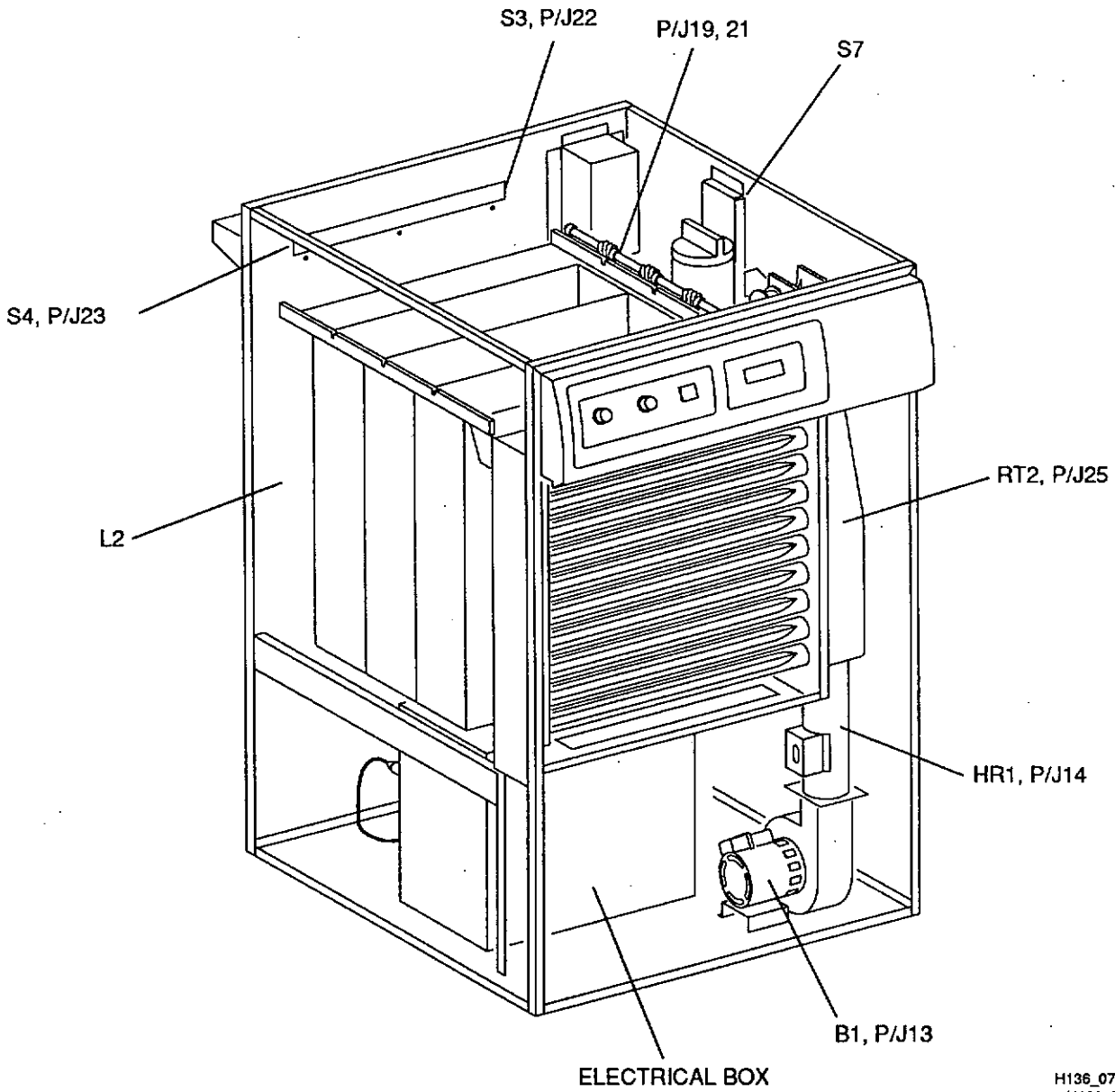
	Page
TB1 Main Power .....	11
TB2 Power Selection .....	11
TB3 AC Distribution .....	8
TB4 DC Distribution .....	8

### Thermistors - RT

	Page
RT1 Developer .....	15
RT2 Dryer .....	6

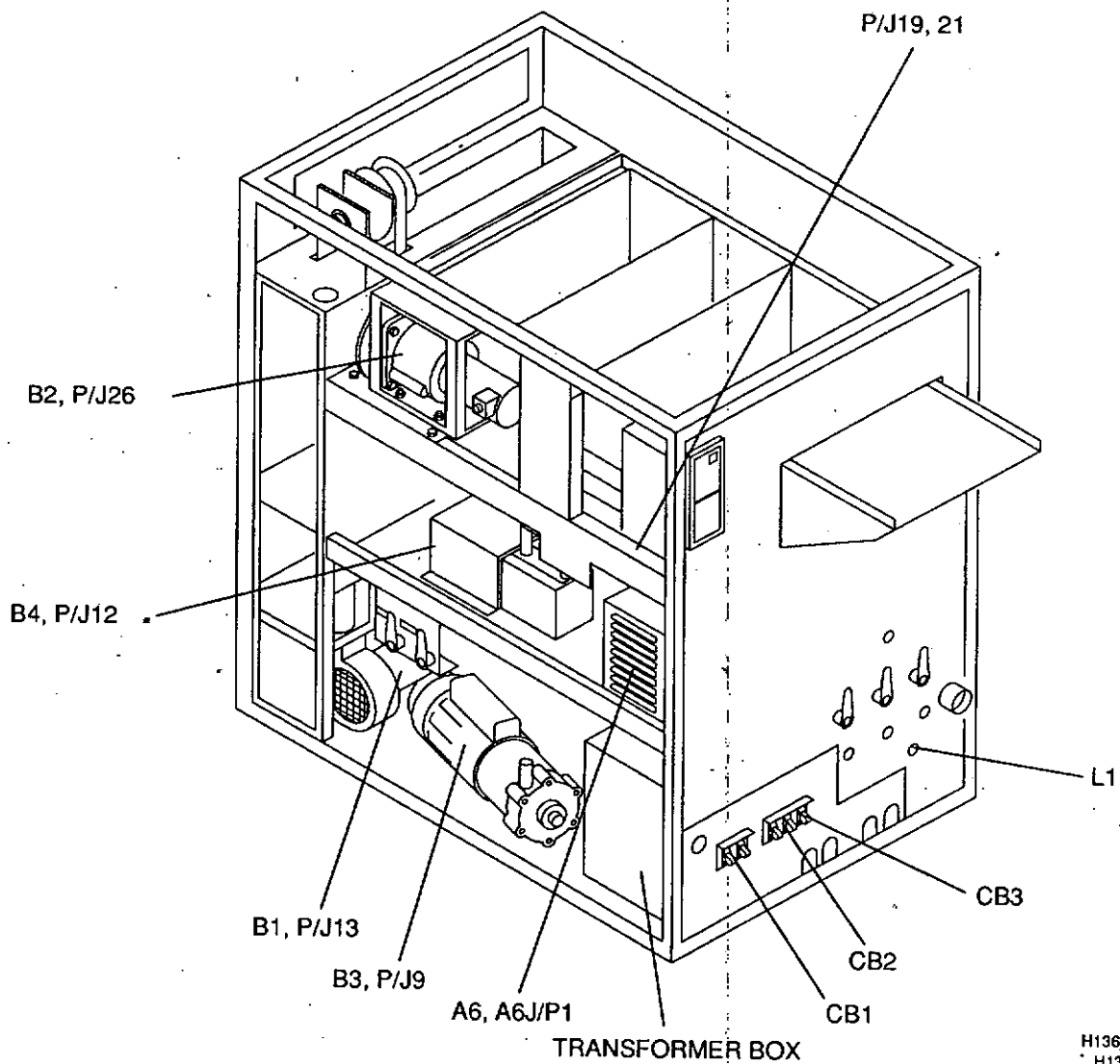
### Transformers - T

	Page
T1 Primary Power Buck/Boost .....	11



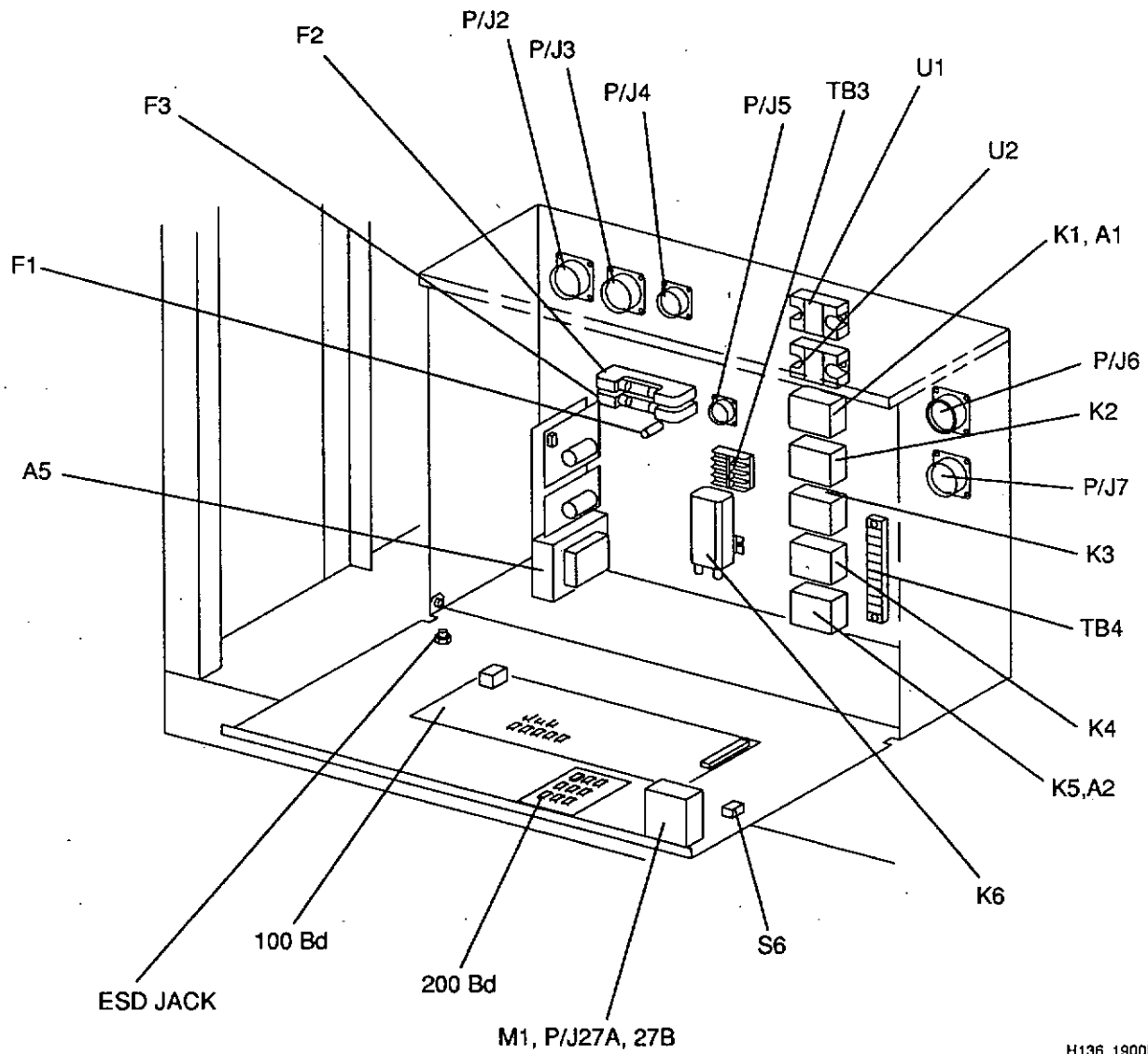
H136\_0702DCA  
H136\_0702DA

Figure 1 Receive-End of Processor



H136\_0804DCA  
 H136\_0804DA

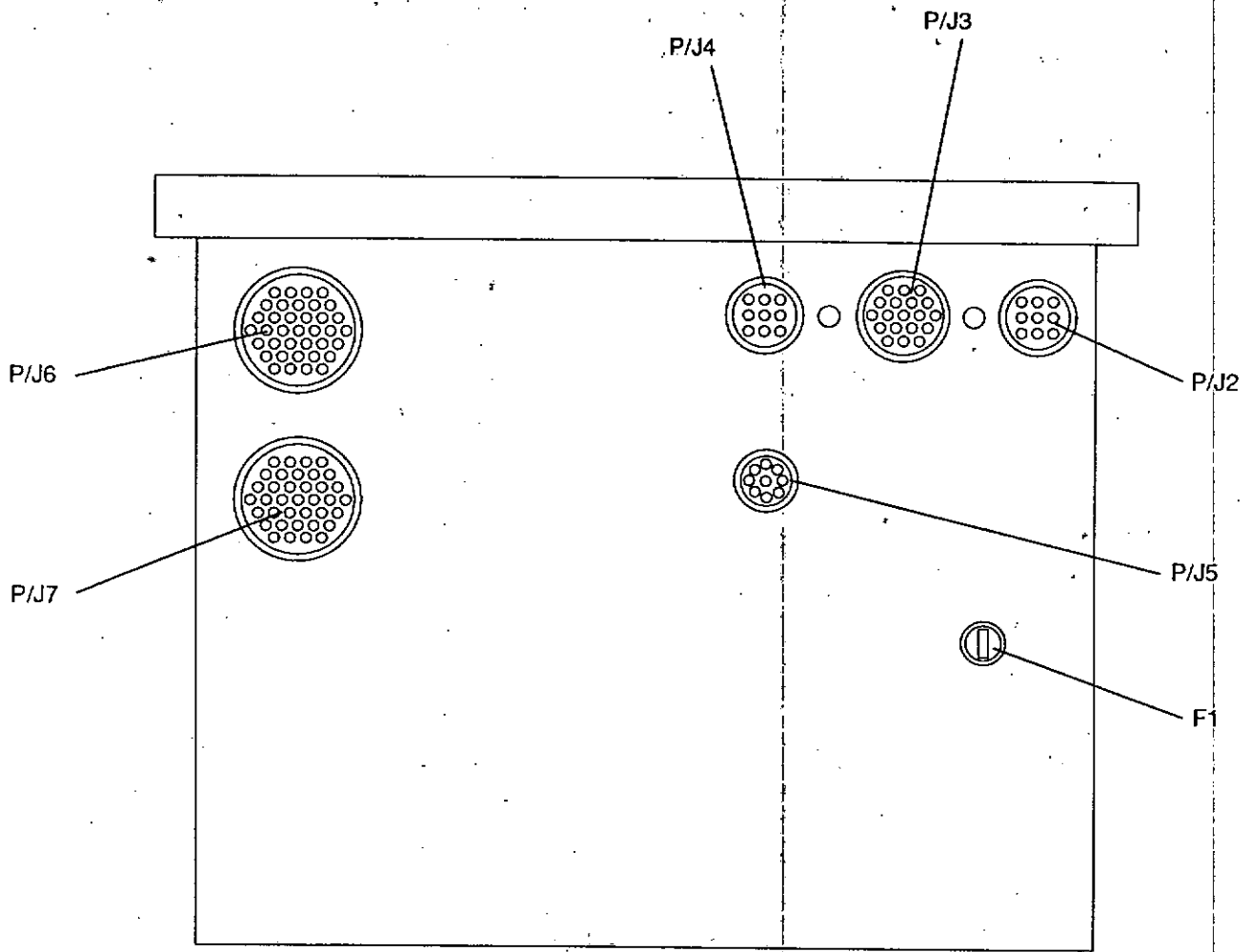
**Figure 2 Feed-End of Processor**



H136\_1900DCA  
H136\_1900DA

Figure 3 Electrical Box





H136\_19020CA  
H136\_1902DA

Figure 4 Electrical Box (Back View)

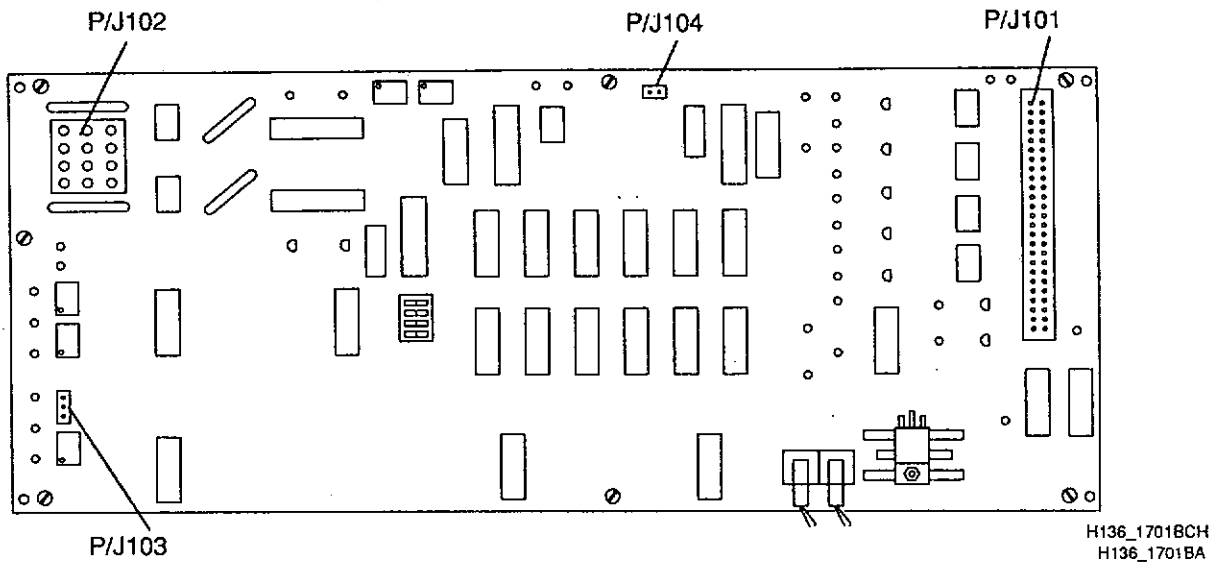


Figure 5 100 Circuit Board Assembly

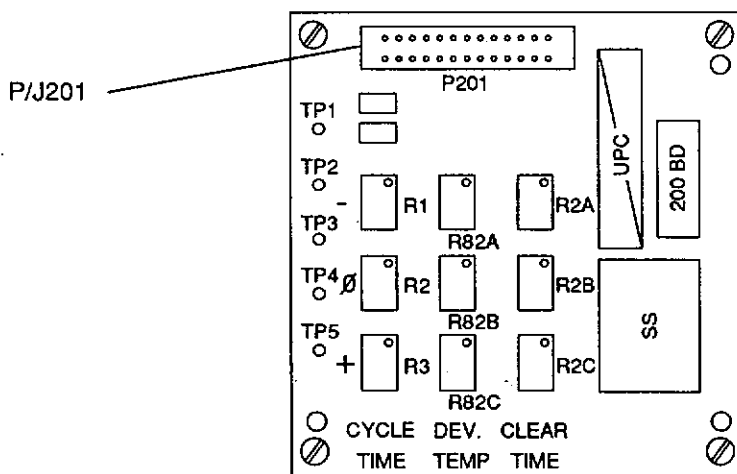
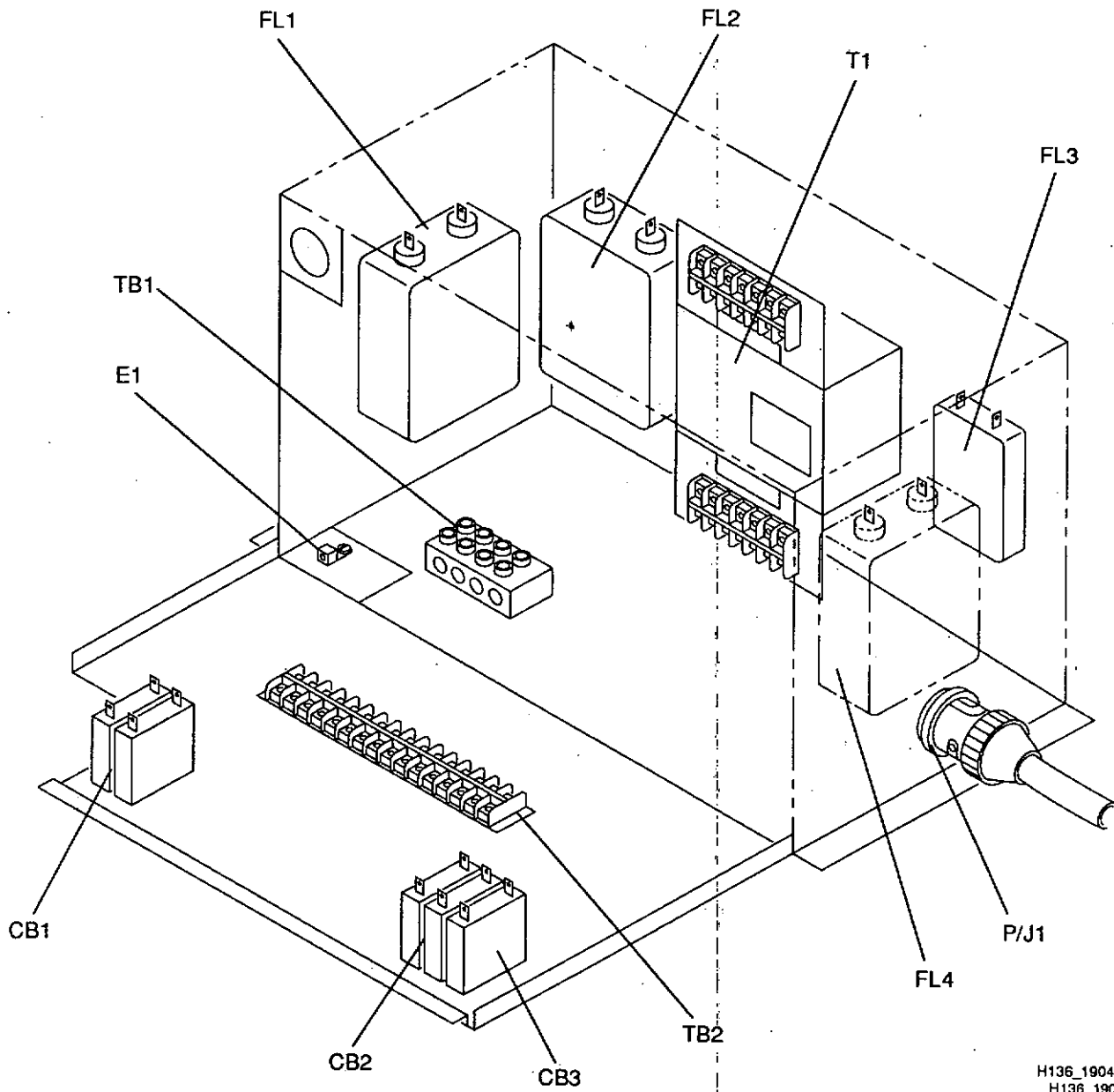
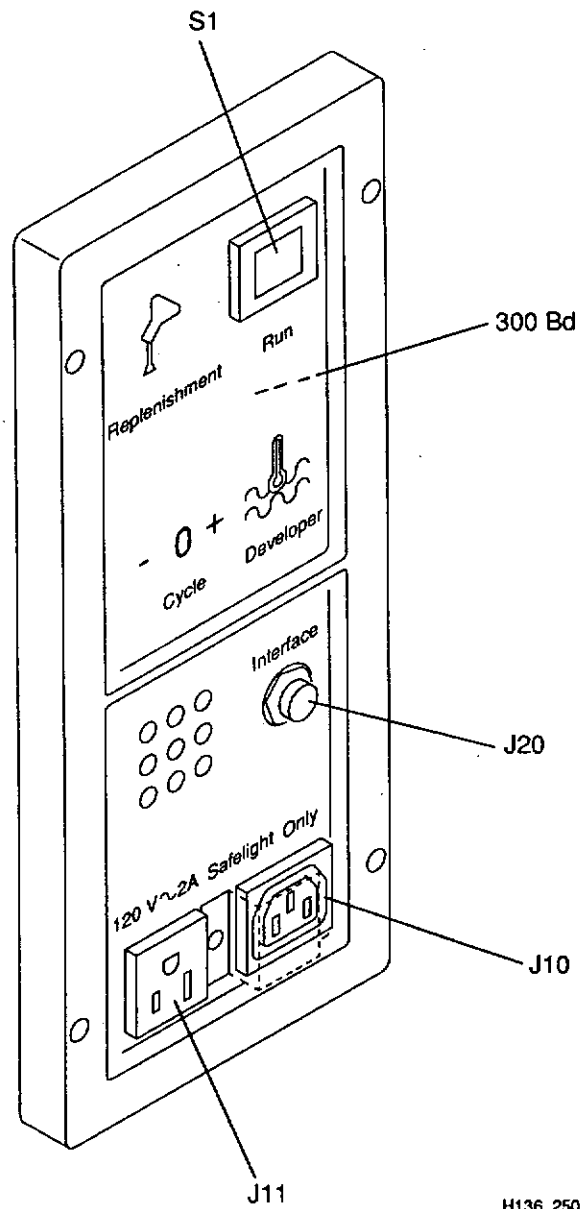


Figure 6 200 Circuit Board Assembly



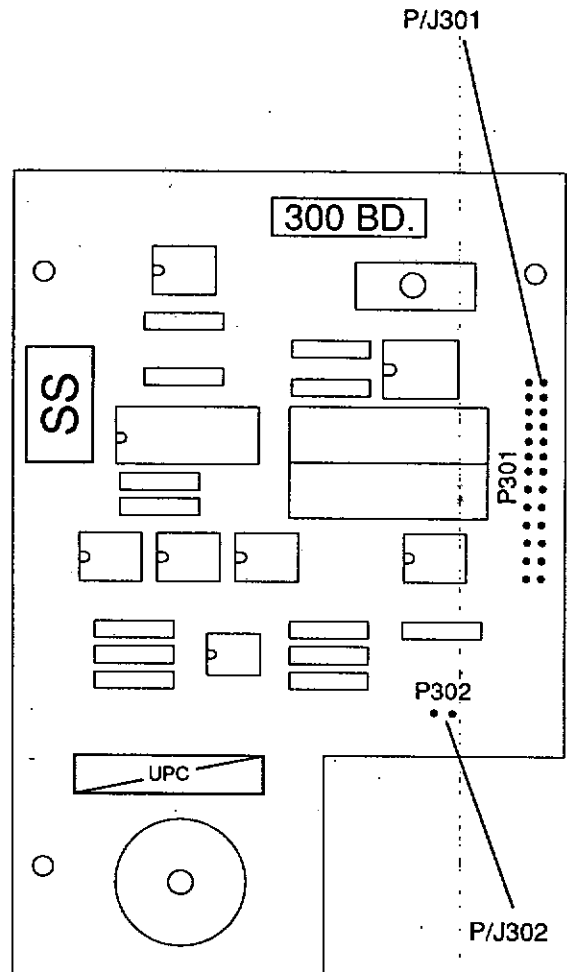
H136\_1904DCB  
H136\_1904DA

Figure 7 Transformer Box



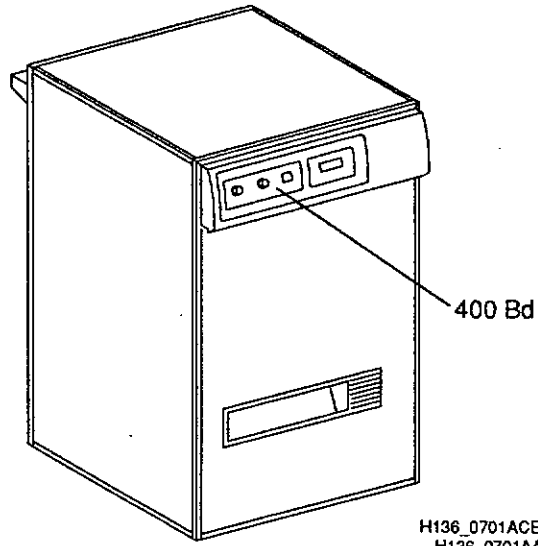
H136\_2500CCD  
H136\_2500CA

Figure 8 300 Circuit Board Assembly

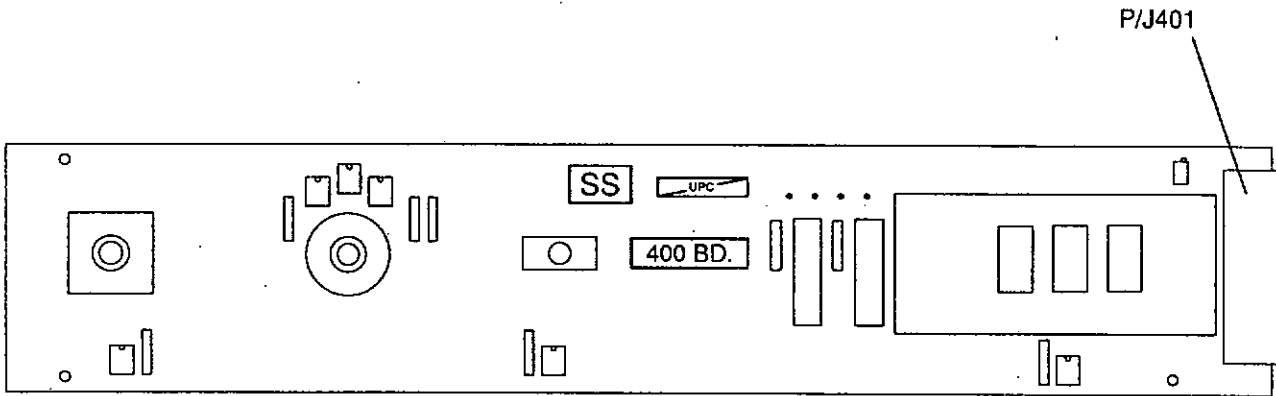


H136\_1703CCB  
H136\_1703CA

Figure 9 300 Circuit Board Assembly

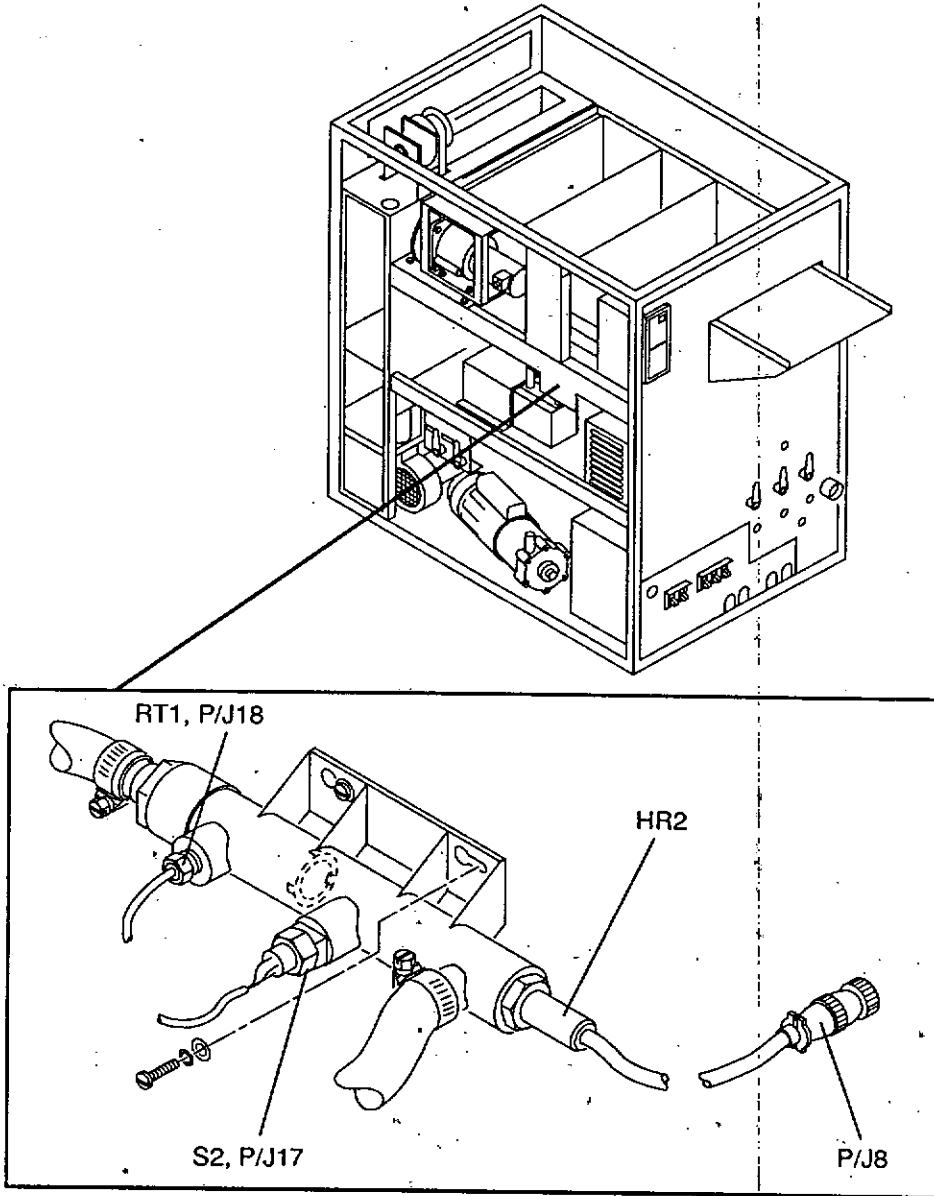


H136\_0701ACE  
H136\_0701AA



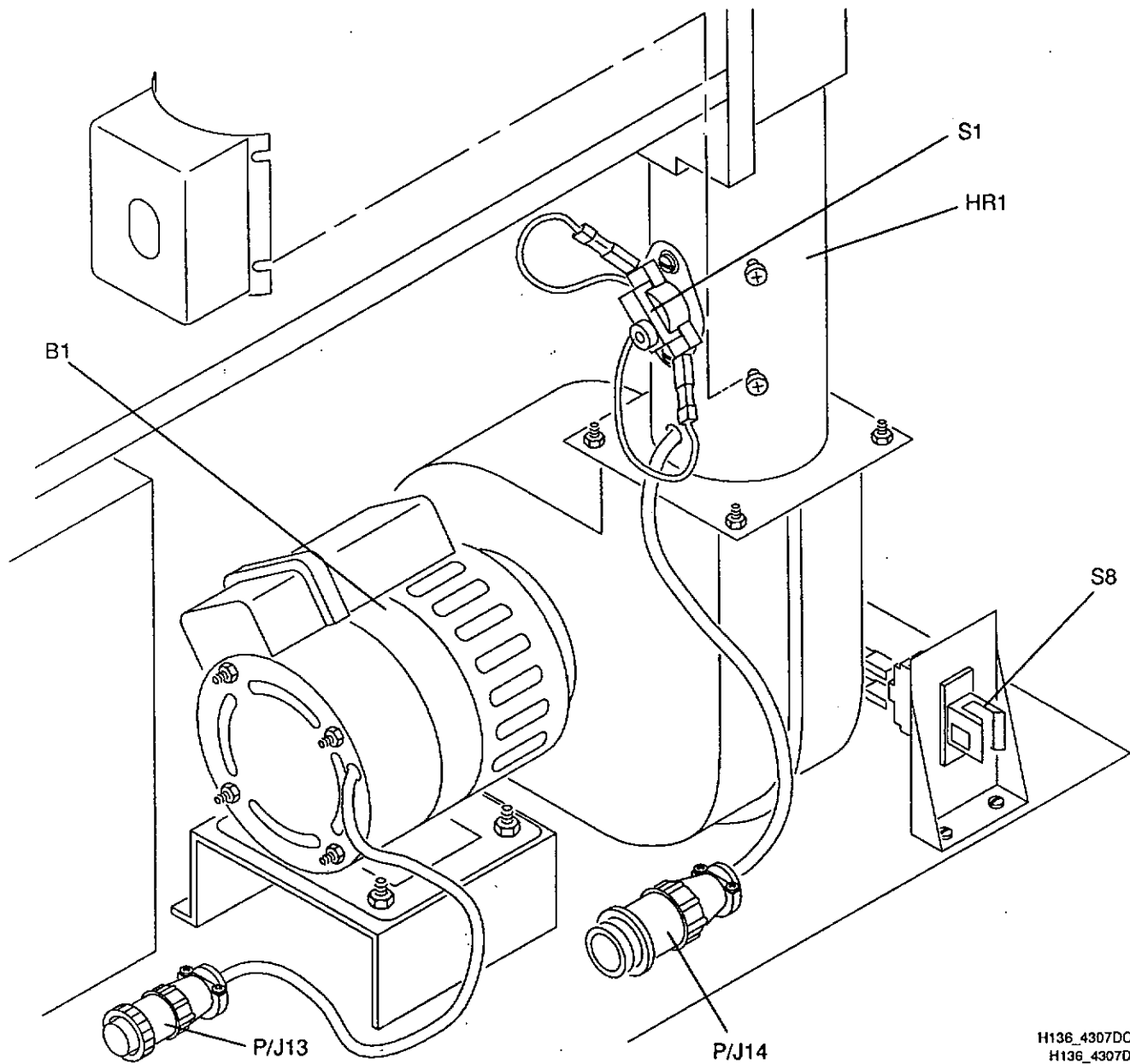
H136\_1704BCC  
H136\_1704BA

Figure 10 400 Circuit Board Assembly



H136\_2720DCA  
H136\_2720DA

Figure 11 Developer Thermowell Assembly



H136\_4307DCB  
H136\_4307DA

**Figure 12 Blower Motor/Dryer Heater Assemblies**

3233dc\_a.txt



BLANK PAGE

Health Sciences  
EASTMAN KODAK COMPANY  
Rochester, New York 14650

Kodak and Industrex are trademarks.

*The new vision of Kodak*

