

FUJI Autofeeder
IX
Instruction Manual

Fuji Photo Film Co., Ltd.

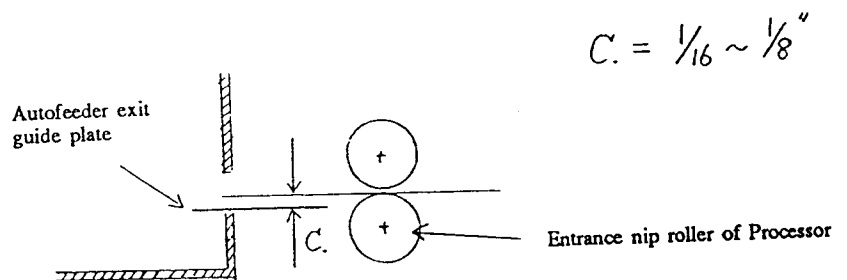
Tokyo Japan

Table of Contents

Installing the Autofeeder1
Controls and Operation of FUJI AUTOFEEDER3
General Operating Procedure:5
Start-up Procedure:6
Shut-off Procedure:6
Priority Film Input Procedure:7
When the ERROR light comes on and buzzer is heard:	8
Maintenance:9
Specifications:10

Installing the Autofeeder

- 1
Detach the feed tray from the processor.
- 2
Install the stand to the processor.
- 3
Adjust the height of the stand by the level adjustment screw legs.
- 4
Make sure the stand is levelled.
- 5
Install the autofeeder on the stand.
- 6
Make sure a clearance between the autofeeder exit guide plate and the entrance nip rollers of the processor is between $\frac{1}{16}$ to $\frac{1}{8}$ inches as illustrated below.



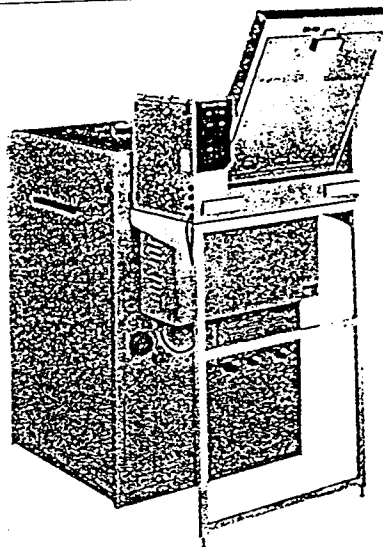
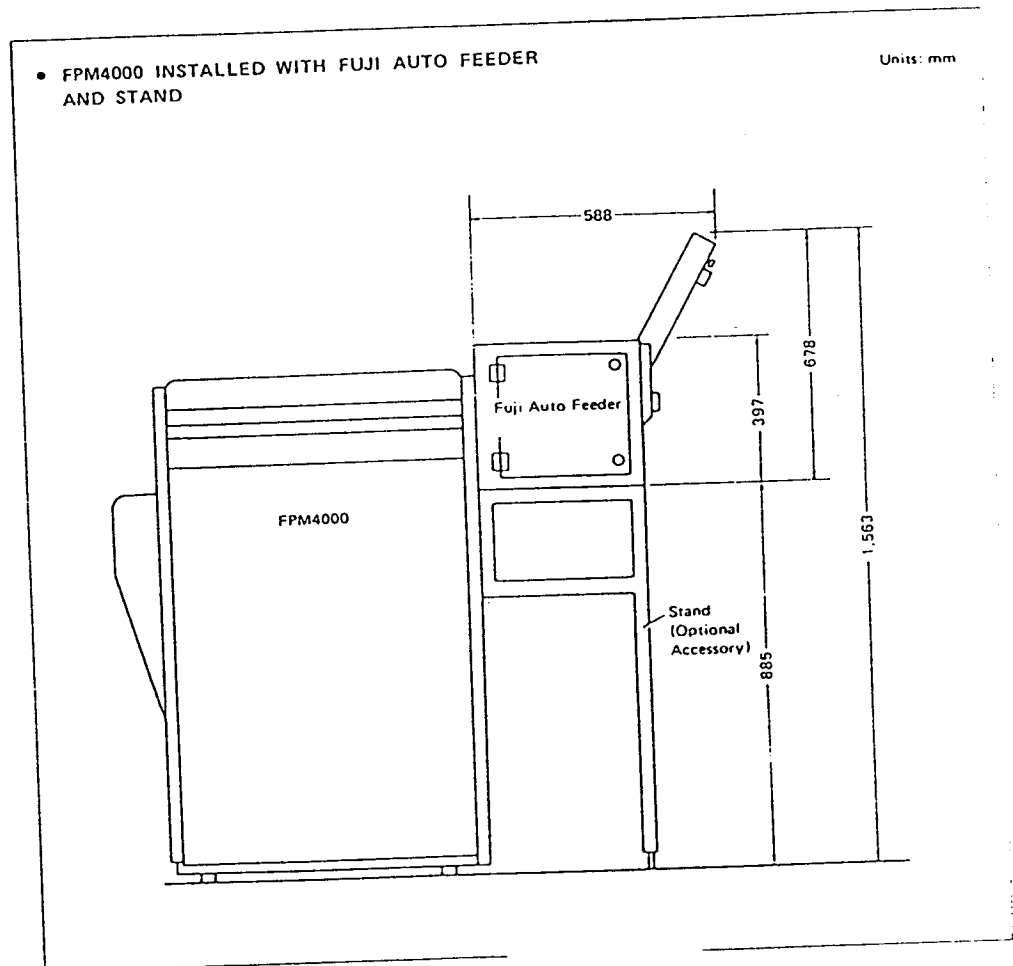
- 7
Re-confirm that the processor and the autofeeder are installed at level.
- 8
Press the autofeeder toward the processor firmly so that no light comes in from the docked section.
 - The exit section of the autofeeder should fit in a groove around the entrance of the processor.

9

Insert the power code to the 100V jack of the processor.

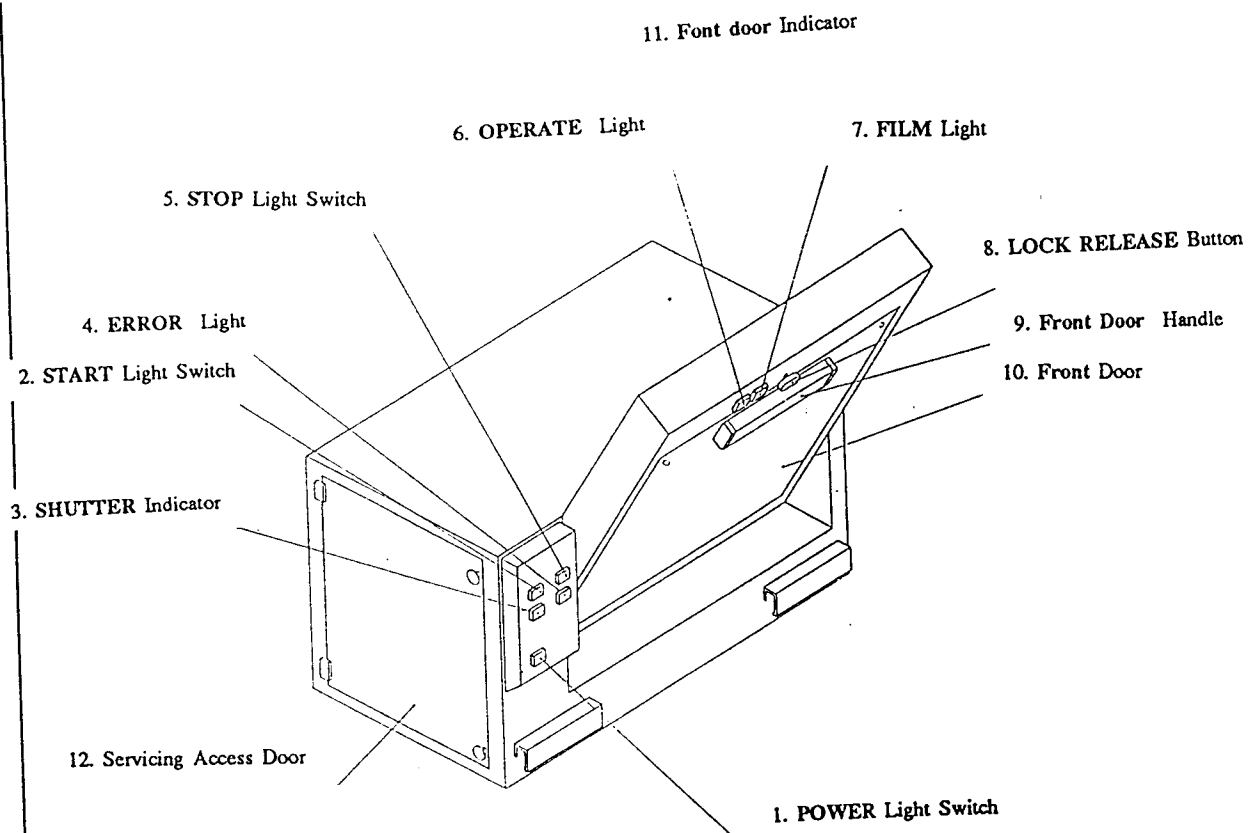
10

Load several clean-up films to make sure that the system operates with no problems.



Fuji Autofeeder IX 2

Controls and Operation of FUJI AUTOFEEDER



1. POWER Light Switch

Switch on the power by gently pressing the POWER switch. Simultaneously, the POWER light, the front door indicators, and the START light come on, indicating the unit is in the power standby mode. When this switch is depressed again, the power turns off, and the all lights go out.

2. START Light Switch

This light comes on when the POWER is turned on, indicating the position of this switch. Press this switch to start operation. If film is not loaded in the tray, the Autofeeder does not start operation even this switch is pressed.

3. SHUTTER Indicator

This light comes on when the exit shutter opens. The exit shutter opens while film is fed into the processor.

4. ERROR Light

This light comes on when the autfeeder has attempted to remove more than 2 sheets from the film tray. Film transport mechanism stops at this moment, and buzzer is heard. When films held at film guide section are removed, the light goes out and the buzzer stops.

5. STOP Light Switch

Press this switch when film feeding operation should be stopped. The light comes on with depressing this switch. The autfeeder will stop after completion of one cycle. Depress this switch again and the start switch to resume the operation.

6. OPERATE Light

This lamp lights while the autfeeder is in mechanical operation, i.e. in film removal and transporting process.

7. FILM Light

This lamp lights while the autfeeder contains film in the film magazine or the film guide section.

8. LOCK RELEASE Button

Press this button to release the front door lock.

9. Front Door Handle

Use this handle to open the front door.

10. Front Door

Open this door to set film.

11. Front Door Indicator

These indicators light to indicate the front door position while the POWER switch is ON.

12. Servicing Access Door

General Operating Procedure:

1

With the lock release button pressed, pull the front door toward the operator.

2

Set film dividers in the film tray.

- For 14x17 - No divider.

3

Set films up to 60 sheets maximum in each liner.

- Do not mix up two different sizes of film in the same liner.

4

Close the front door securely.

Start-up Procedure:

- 1**
Press the POWER switch to turn the power on. The POWER light will come on.
- 2**
Make sure that the STOP switch is OFF
- 3**
Press the START switch.

Shut-off Procedure:

- 1**
Check the OPERATE light.
 - Operation is not terminated until the OPERATE light goes out.
- 2**
Check the FILM and OPEN lights.
 - The nip rollers and exit shutter do not stop until these light go out.
- 3**
After making sure that all OPERATE, FILM and OPEN lights have gone out, press the POWER switch to turn the power off.

Priority Film Input Procedure:

1

Press the STOP switch. The STOP light will come on.

2

Make sure the OPERATE light has gone out. Then open the front door.

3

Make sure the FILM light has gone out. Then insert the film to the film guide section. The FILM light will come on.

- When more than 1 sheet of film should be processed, insert the next film when the FILM light goes out. Repeat this process until all of the priority films have been finished.
- If the same size film has been set in the film loading tray, you may put the priority films on the top of the loaded film.

4

Close the front cover.

5

Press the STOP switch. The STOP light will go out.

6

Press the START switch. The autfeeder will resume the normal operation.

- If the START switch is pressed with the STOP light on, the autfeeder will operate only one cycle, and stop operation.

When the ERROR light comes on and buzzer is heard:

- 1
Make sure that the OPERATE light has gone out.
- 2
Open the front door.
- 3
Remove the trapped films from the guide section. The buzzer will go off, the ERROR light will go out.
- 4
Replace the removed film in the film tray.
- 5
Close the front cover.
- 6
Press the START switch. The START light will come on.

Cautions:

- Do not press the POWER switch to turn the power off before the FILM light goes out.
- Do not open the front door while the OPERATE lamp lights. (The FILM lamp should light either.)
- When the front door should be opened while the FILM lamp lights but the OPERATE lamp does not light, open the front door only with the room light off. (Darkroom condition)
- The following table gives relationships of operation possibilities and lamp indications.

Lamp ON	Lamp OFF	Front Cover Open		POWER OFF
		Darkroom	Light Room	
OPERATE	FILM	Impossible	Impossible	Impossible
OPERATE	FILM	Possible	Impossible	Impossible
OPERATE	FILM	Possible	Possible	Possible

- Close the front door securely. The lock is 2-level locking system.

Maintenance:

- Keep the front door closed.
- Clean inside the film tray before loading film.
- Clean suction cups with damp cloth once a month.

Specifications:

Type:

Darkroom type

Loadable Film:

Sheet Film

— 8.5x16.5cm (3-1/2x6")

— 35.4x43.0cm (14x17")

Capacity:

60 sheets in each liner

Connectable Processors:

FPM4200-NDT, FIP4000, and some comparative models

Throughput Speed:

Depending on processors

Stop Mechanism:

By pressing **STOP** button for priority film processing.

Automatic stop when all loaded films have been fed to the processor.

Alarm System:

Buzzer and automatic stop when the autfeeder has attempted to feed more than 2 sheets of film at a time.

Power:

AC single phase 100V, 1A, 50/60 Hz

Dimensions:

— 578(H)x690(W)x 831(D)mm

— 23-1/8x27-10/16x33-1/4in.

Weight:

40kg (88lb)